

## KLIPPON K41

**Weidmüller Interface GmbH & Co. KG**

Klingenbergstraße 26

D-32758 Detmold

Germany

[www.weidmueller.com](http://www.weidmueller.com)

### Similar to illustration



The aluminium Klippon® K enclosures are suitable for use in an extremely wide range of different areas. Various components can be installed inside the enclosures, and will benefit in particular from the high temperature resistance, the excellent IP protection and the good impact resistance.

No matter what kind of application the customer is planning, Weidmüller is able to provide a wide range of aluminium enclosures precisely fitting the customer's requirements.

Klippon® K enclosures for hazardous areas are available on request.

Our extensive product range offers the following advantages:

- Available in two surface finishes: natural and powder-coated (RAL 7001)
- With chloroprene moulded seal as standard (silicone moulded seal optionally available)
- Standardised closure system with Torx slotted screw head for 19 enclosure sizes
- Mounting holes outside of the gasket area
- High IP protection classes: IP66, IP67 and IP68 according to DIN EN 60529
- Impact resistance of up to 7 (10) Joules
- The enclosures are approved according ATEX, IECEx, EAC, cULus, Russian Maritime Register and DNV GL as well as the empty enclosure standard.

- Suitable for railway applications according to EN 45545-2:2013
- Alloy is resistant to salt water
- Standardised distributor enclosures with threaded holes and a variety of terminal configurations

### General ordering data

Version	Klippon K (aluminium empty enclosure), Empty enclosure, Aluminium enclosure, Height: 120 mm, Width: 122 mm, Depth: 81 mm, Material: Aluminium AlSi12, untreated, silver
Order No.	<a href="#">1565270000</a>
Type	KLIPPON K41
GTIN (EAN)	4008190184636
Qty.	1 pc(s).
Unassembled to fit rail	<a href="#">1910070000</a>

Creation date January 26, 2022 7:12:00 AM CET

Catalogue status 14.01.2022 / We reserve the right to make technical changes.

**KLIPPON K41****Weidmüller Interface GmbH & Co. KG**

Klingenbergstraße 26

D-32758 Detmold

Germany

www.weidmueller.com

**Technical data****Dimensions and weights**

Depth	81 mm	Depth (inches)	3.189 inch
Height	120 mm	Height (inches)	4.724 inch
Width	122 mm	Width (inches)	4.803 inch
Mounting dimension - height	82 mm	Mounting dimension - width	106 mm
Weight	840 g	Net weight	919 g

**Temperatures**

Operating temperature -40 °C...80 °C

**Environmental Product Compliance**

REACH SVHC Lead 7439-92-1

**Cable glands, left**

M12	4	M16	4
M20	2	M25	1
M32	1		

**Cable glands, right**

M12	4	M16	4
M20	2	M25	1
M32	1		

**Cable glands, top/bottom**

M12	6	M16	6
M20	3	M25	2
M32	1		

**Certificate numbers enclosure**

Approval conditions	cULus, RMRS, DNV	Certificate No. (DNVGL)	TAE00002SM
Certificate No. (EAC)	C-DE.HB07.B.00089-20	Certificate No. (GERMLLOYD)	TAE00002SM
Certificate No. (MARITREG)	19.00108.272	Certificate no. (cULus)	E197061
Certificate no. Terminal Box (EAC)	C-DE.AД54.B.00251/19 Ind. Terminal Box	Certificate no., empty enclosure (EAC)	C-DE.HB07.B.00089/20
Declaration of Conformity No. (DoC LVD)	DE_PS2410_160412_001ISS01		

## KLIPPON K41

Weidmüller Interface GmbH &amp; Co. KG

Klingenbergstraße 26

D-32758 Detmold

Germany

www.weidmueller.com

## Technical data

## General information

Access opening: height	111 mm	Access opening: width	113 mm
Areas of use	Process industry, Transportation, Marine engineering, Packaging industry, Harbour facilities, Machine construction	Enclosure attachment	
Flange plate	No	Halogen	No (only contained in the seal)
Impact resistance	10.00 J	Integral fixing	Threaded holes M5
Lid	Yes	Lid attachment	M6 torx stainless steel screws with slot
Material	Aluminium AlSi12	Material thickness of cover	4 mm
Material thickness of enclosure	4.5 mm	Note: protection class	IP68 (t=72h, h=1m)
Number of lid screws	4	Operating temperature, max.	80 °C
Operating temperature, min.	-40 °C	Protection class (UL)	Type 4, Type 4x
Protection degree	IP66, IP67, IP68	Seal material	Chloroprene
Standards	EN 45545-2:2013	Surface finish	untreated
Torque for lid screws	2.5 Nm		

## horizontal assembly

WDU 10 / ZDU 10	1x6	WDU 2,5 / ZDU 2,5 / IDU 2,5	1x13
WDU 4 / ZDU 4	1x11	WDU 6 / ZDU 6	1x8

## vertical assembly

WDU 2,5 / ZDU 2,5 / IDU 2,5	*	WDU 4 / ZDU 4	*
-----------------------------	---	---------------	---

## Classifications

ETIM 6.0	EC000261	ETIM 7.0	EC000261
ETIM 8.0	EC000261	ECLASS 9.0	27-18-01-01
ECLASS 9.1	27-18-92-90	ECLASS 10.0	27-18-01-01
ECLASS 11.0	27-18-01-01		

## Approvals

Approvals



ROHS	Conform
UL File Number Search	E197061

## KLIPPON K41

**Weidmüller Interface GmbH & Co. KG**  
Klingenbergstraße 26  
D-32758 Detmold  
Germany

[www.weidmueller.com](http://www.weidmueller.com)

## Technical data

### Downloads

Approval/Certificate/Document of Conformity	<a href="#">C-DE.A154.B.00251.19 Ind. Terminal Box</a> <a href="#">RUC-DE.BE02.B.00173</a> <a href="#">TAE00002SM</a> <a href="#">19.00108.272</a> <a href="#">EU Declaration of Conformity - Klippon K Empty Enclosures - DoC DE PS2410 160412 001ISS02</a> <a href="#">DoM Klippon K salt water resistance</a> <a href="#">DoM Klippon K EN 45545-2 2013 Railway</a>
Engineering Data	<a href="#">CAD data – STEP</a>
Engineering Data	<a href="#">EPLAN, WSCAD</a>
Tender specification	<a href="#">Klippon K41_1565270000_DE</a> <a href="#">Klippon K41_1565270000_EN</a>
User Documentation	<a href="#">Assembly guidelines - empty enclosures</a>
Catalogues	<a href="#">Catalogues in PDF-format</a>
Brochures	<a href="#">MB KLIPPON ENCL.TECN EN</a> <a href="#">FL RAILWAY 2014 EN</a> <a href="#">FL RAILWAY 2014 EN</a>

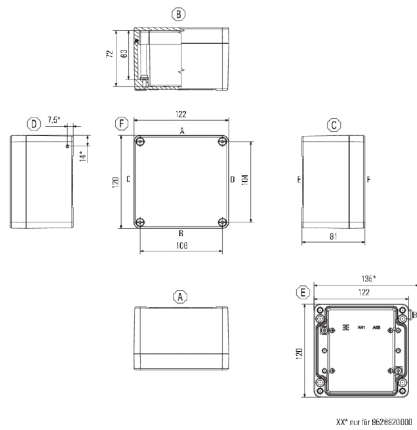
**KLIPPON K41**

**Weidmüller Interface GmbH & Co. KG**  
Klingenbergstraße 26  
D-32758 Detmold  
Germany

**Drawings**

www.weidmueller.com

**Dimensioned drawing**



**KLIPPON K41**

**Weidmüller Interface GmbH & Co. KG**  
 Klingenbergstraße 26  
 D-32758 Detmold  
 Germany

www.weidmueller.com

**Accessories**

**TS 15**



The system accessories for the Klippon® K enclosure series allows you to easily adapt the enclosures to meet the specific requirements of every application.

- DIN Rails TS 35 and TS 15
- Mounting plates
- Hinges
- Wall-mounted holder

**General ordering data**

Type	TS15X5 ST K41	Version
Order No.	<a href="#">8898030000</a>	Rail, TS 15, Width: 106 mm, with slot, Steel, galvanic zinc plated and passivated
GTIN (EAN)	4032248648788	
Qty.	20 pc(s).	

**Depth 7.5 mm**



The system accessories for the Klippon® K enclosure series allows you to easily adapt the enclosures to meet the specific requirements of every application.

- DIN Rails TS 35 and TS 15
- Mounting plates
- Hinges
- Wall-mounted holder

**General ordering data**

Type	TS35 105 KLIPPON K41/PO ...	Version
Order No.	<a href="#">1910070000</a>	Rail, TS 35, TS 35 x 7.5, Width: 105 mm, without slot, Steel, galvanized, chromium-plated
GTIN (EAN)	4032248536986	
Qty.	1 pc(s).	
Type	TS35X7.5 ST K41	Version
Order No.	<a href="#">8000003439</a>	Rail, TS 35, TS 35 x 7.5, Width: 105 mm, without slot, Steel, galvanic zinc plated and passivated
GTIN (EAN)	4050118652628	
Qty.	20 pc(s).	

**KLIPPON K41**

**Weidmüller Interface GmbH & Co. KG**  
 Klingenbergstraße 26  
 D-32758 Detmold  
 Germany

www.weidmueller.com

**Accessories**

**Klippon® K - Wall-mounted holder**



The system accessories for the Klippon® K enclosure series allows you to easily adapt the enclosures to meet the specific requirements of every application.

- DIN Rails TS 35 and TS15
- Mounting plates
- Hinges
- Wall-mounted holder

**General ordering data**

Type	KLIPPON K MF KIT 25	Version
Order No.	<a href="#">9527590000</a>	Klippon K (aluminium empty enclosure), Mounting foot, Fixing lugs,
GTIN (EAN)	4032248014071	Material: Stainless steel 1.4301, silver
Qty.	1 pc(s).	

**Klippon® K - Mounting plates**



The system accessories for the Klippon® K enclosure series allows you to easily adapt the enclosures to meet the specific requirements of every application.

- DIN Rails TS 35 and TS15
- Mounting plates
- Hinges
- Wall-mounted holder

**General ordering data**

Type	MOPL K41 STAHL	Version
Order No.	<a href="#">3073070000</a>	Klippon K (aluminium empty enclosure), Mounting plate, Mounting
GTIN (EAN)	4008190858001	plate, Height: 104 mm, Width: 109 mm, Depth: 2 mm, Material: Sheet
Qty.	1 pc(s).	steel, galvanized, galvanized, silver

**KLIPPON K41**

**Weidmüller Interface GmbH & Co. KG**  
 Klingenbergstraße 26  
 D-32758 Detmold  
 Germany

www.weidmueller.com

**Accessories**

**Depth 15 mm**



The system accessories for the Klippon® K enclosure series allows you to easily adapt the enclosures to meet the specific requirements of every application.

- DIN Rails TS 35 and TS 15
- Mounting plates
- Hinges
- Wall-mounted holder

**General ordering data**

Type	TS35X15 ST K41	Version
Order No.	<a href="#">8000073091</a>	Rail, TS 35, TS 35 x 15, Width: 105 mm, Steel, galvanic zinc plated
GTIN (EAN)	4064675337027	and passivated
Qty.	20 pc(s).	

**Klippon® K - Hinge**



The system accessories for the Klippon® K enclosure series allows you to easily adapt the enclosures to meet the specific requirements of every application.

- DIN Rails TS 35 and TS 15
- Mounting plates
- Hinges
- Wall-mounted holder

**General ordering data**

Type	HG K+POK	Version
Order No.	<a href="#">1580360000</a>	Klippon POK (polyester empty enclosure), External joint, Hinge,
GTIN (EAN)	4008190203542	Material: Aluminium AISi12, silver
Qty.	1 pc(s).	



## KLIPPON K41

**Weidmüller Interface GmbH & Co. KG**  
 Klingenbergstraße 26  
 D-32758 Detmold  
 Germany

www.weidmueller.com

## Accessories

## Spacer



**Integrate, expand and customise: The ideal expansion for every application**

The consistent structure of accessories for the Klippon® EBi enclosure range means that you can easily adapt the enclosure to the specific requirements of each application.

## General ordering data

Type	SP M6 20 MSZN	Version
Order No.	<a href="#">3896200000</a>	Klippon EBi (Essential Box industrial), Spacer, Height: 20 mm,
GTIN (EAN)	4008190850234	Material: Steel, silver
Qty.	2 pc(s).	
Type	SP M6 15 MSZN	Version
Order No.	<a href="#">3896100000</a>	Klippon EBi (Essential Box industrial), Spacer, Height: 15 mm,
GTIN (EAN)	4008190857851	Material: Steel, silver
Qty.	1 pc(s).	
Type	SP M6 30 MSZN	Version
Order No.	<a href="#">3896300000</a>	Klippon EBi (Essential Box industrial), Spacer, Height: 30 mm,
GTIN (EAN)	4008190850241	Material: Steel, silver
Qty.	2 pc(s).	

## Screws



Depending on the terminal block or also accessories, we offer different types of screws as additional items or also spare parts.

## General ordering data

Type	FKSC M5X8 D9/SW2.5	Version
Order No.	<a href="#">0295900000</a>	SAK Series, Allen hex screw, Screws, Number of poles: 1
GTIN (EAN)	4008190133337	
Qty.	50 pc(s).	

# Mouser Electronics

Authorized Distributor

Click to View Pricing, Inventory, Delivery & Lifecycle Information:

[Weidmuller:](#)

[1565270000](#)