

RSMS-16H 24V+ 1CO S

Weidmüller Interface GmbH & Co. KG

Klingenbergstraße 26

D-32758 Detmold

Germany

www.weidmueller.com



Similar to illustration

Relay bases (RSM) with common positive and negative to be connected to PLC or other type of controllers. The interfaces are made up of groups of 4, 8 or 16 RCL relays (12.7 mm) or RSS (6.1 mm). The connection to the controller can be set up using pluggable connectors or using direct cabling with IEC 60603-13 connectors. Wide range of options:

- 1 or 2 CO contacts with 16/8/6 A relays
- Voltages from 5 to 230 V
- Screw, tension clamp or PUSH IN connection
- Compatible with Weidmüller's solid-state relays

The range of relays provides galvanic isolation between input/output as well as between the adjacent contacts on the relays. This enables the various voltages in the controllers and those required by the various field elements to be safely adapted.

General ordering data

Version	Interface, RSM, Screw connection
Order No.	1457300000
Type	RSMS-16H 24V+ 1CO S
GTIN (EAN)	4050118263633
Qty.	1 pc(s).

RSMS-16H 24V+ 1CO S
Weidmüller Interface GmbH & Co. KG

Klingenbergstraße 26

D-32758 Detmold

Germany

www.weidmueller.com

Technical data
Dimensions and weights

Depth	85 mm	Depth (inches)	3.346 inch
Height	109 mm	Height (inches)	4.291 inch
Width	112 mm	Width (inches)	4.409 inch
Net weight	398.818 g		

Temperatures

Storage temperature	-40...60 °C	Operating temperature	-25...50 °C
---------------------	-------------	-----------------------	-------------

Environmental Product Compliance

REACH SVHC	Lead 7439-92-1	SCIP	71d9bdc4-a0b5-4af0-93bd-2ad4e523fb14
------------	----------------	------	--------------------------------------

General data

LED status display per relay	green	Fuse per relay	No
LED status of the supply voltage	yellow	Power supply fuse	No

Connection data

Connection (field side)	LL3R 5.08 mm	Connection on control side	Plug-in connector in acc. with IEC60603-13 / DIN41651, LL 5.08 mm
Number of poles (control side)	20-pole plug		

Rating data

Mechanical service life	5 x 10 ⁶ switching cycles
-------------------------	--------------------------------------

Ratings data input

Input voltage	24 V DC ± 10%	Input current	7.1 mA
---------------	---------------	---------------	--------

Ratings data output

Relay type	RSS	Type of output	Potential-free contact
Contact material	AgNi 90/10	Rated voltage	≤ 250 V AC
Max. AC continuous current	4.5 A	Minimum contact current	100 mA
Minimum contact voltage	5 V		

Insulation coordination (EN50178)

Pollution severity level	2	Pulse voltage test (1,2/50µs)	6 kV
Insulation test voltage	1.2 kVAC		

Insulation coordinates (EN50178)

Rated input insulation voltage	< 50 V AC	Rated output insulation voltage	250 V AC
Overvoltage category input/output	III	Overvoltage category output/output	II
Pollution severity level	2	Pulse voltage test (1,2/50µs)	6 kV
Insulation test voltage	1.2 kVAC	Clearance input/output	≥ 5.5 mm

Creation date September 16, 2022 5:41:30 AM CEST

Catalogue status 09.09.2022 / We reserve the right to make technical changes.

2

RSMS-16H 24V+ 1CO S**Weidmüller Interface GmbH & Co. KG**

Klingenbergstraße 26

D-32758 Detmold

Germany

www.weidmueller.com

Technical data**Connection field**

Clamping range, max.	6 mm ²	Clamping range, min.	0.5 mm ²
Flexible with sleeve, max.	2.5 mm ²	Flexible with sleeve, min.	0.5 mm ²
Flexible, max. H05(07) V-K	4 mm ²	Flexible, min. H05(07) V-K	0.5 mm ²
Max. wire cross-section, AWG	AWG 12	Min. wire cross-section, AWG	AWG 26
Sleeve with plastic collar, max.	2.5 mm ²	Solid, max. H05(07) V-U	6 mm ²
Solid, min. H05(07) V-U	0.5 mm ²	Stripping length	6 mm
Tightening torque, max.	0.6 Nm	Tightening torque, min.	0.5 Nm
Type of connection	Screw connection		

Supply connection

Type of connection	Screw connection	Clamping range, min.	0.13 mm ²
Clamping range, max.	6 mm ²	Solid, min. H05(07) V-U	0.5 mm ²
Solid, max. H05(07) V-U	6 mm ²	Flexible, min. H05(07) V-K	0.5 mm ²
Flexible, max. H05(07) V-K	4 mm ²	Flexible with sleeve, max.	2.5 mm ²
Flexible with sleeve, min.	0.5 mm ²	Ferrule with plastic collar, max.	2.5 mm ²
Wire cross-section, min. AWG	AWG 26	Wire cross-section, max. AWG	AWG 12
Tightening torque, min.	0.5 Nm	Tightening torque, max.	0.6 Nm
Stripping length	6 mm		

Classifications

ETIM 6.0	EC002780	ETIM 7.0	EC002780
ETIM 8.0	EC002780	ECLASS 9.0	27-14-11-52
ECLASS 9.1	27-24-22-16	ECLASS 10.0	27-14-11-52
ECLASS 11.0	27-14-11-52	ECLASS 12.0	27-14-11-52

Approvals

Approvals



ROHS	Conform
Certificate No. (cURus)	E141197

Downloads

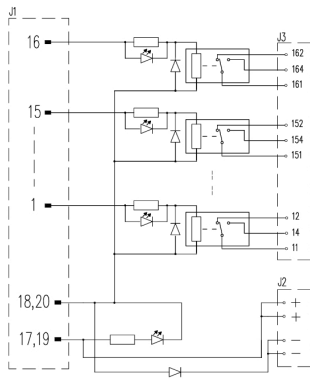
Approval/Certificate/Document of Conformity	Declaration of Conformity
Product Change Notification	20210310 Technical change to RS and RSM modules
Catalogues	Catalogues in PDF-format
Brochures	

RSMS-16H 24V+ 1CO S

Weidmüller Interface GmbH & Co. KG
Klingenbergstraße 26
D-32758 Detmold
Germany

www.weidmueller.com

Drawings



Mouser Electronics

Authorized Distributor

Click to View Pricing, Inventory, Delivery & Lifecycle Information:

[Weidmuller:](#)

[1457300000](#)