

## RSMS-16 24V+ 1CO S

**Weidmüller Interface GmbH & Co. KG**

Klingenbergstraße 26

D-32758 Detmold

Germany

[www.weidmueller.com](http://www.weidmueller.com)



Similar to illustration

Relay bases (RSM) with common positive and negative to be connected to PLC or other type of controllers. The interfaces are made up of groups of 4, 8 or 16 RCL relays (12.7 mm) or RSS (6.1 mm). The connection to the controller can be set up using pluggable connectors or using direct cabling with IEC 60603-13 connectors. Wide range of options:

- 1 or 2 CO contacts with 16/8/6 A relays
- Voltages from 5 to 230 V
- Screw, tension clamp or PUSH IN connection
- Compatible with Weidmüller's solid-state relays

The range of relays provides galvanic isolation between input/output as well as between the adjacent contacts on the relays. This enables the various voltages in the controllers and those required by the various field elements to be safely adapted.

### General ordering data

Version	Interface, RSM, Screw connection
Order No.	<a href="#">1456970000</a>
Type	RSMS-16 24V+ 1CO S
GTIN (EAN)	4050118263541
Qty.	1 pc(s).

## RSMS-16 24V+ 1CO S

**Weidmüller Interface GmbH & Co. KG**

Klingenbergstraße 26

D-32758 Detmold

Germany

www.weidmueller.com

## Technical data

### Dimensions and weights

Depth	85 mm	Depth (inches)	3.346 inch
Height	109 mm	Height (inches)	4.291 inch
Width	112 mm	Width (inches)	4.409 inch
Net weight	359 g		

### Temperatures

Storage temperature	-40...60 °C	Operating temperature	-25...50 °C
---------------------	-------------	-----------------------	-------------

### Environmental Product Compliance

REACH SVHC	Lead 7439-92-1
------------	----------------

### Rated data UL

Operating temperature UL, max.	50 °C	Operating temperature UL, min.	0 °C
Rated current $I_N$	7.1 A	Rated voltage DC $U_N$ (supply)	24 V DC $\pm$ 10%
Rated current (supply)	2.6 A	Rated voltage DC $U_N$ (input)	24 V DC $\pm$ 10%
Rated voltage AC $U_N$ (output)	250 V AC	Rated current $I_{max}$ (output)	4.5 A

### General data

LED status display per relay	green	LED status of the supply voltage	yellow
------------------------------	-------	----------------------------------	--------

### Connection data

Connection (field side)	LL3R 5.08 mm	Connection on control side	LP 5.08 mm, LL 5.08 mm
-------------------------	--------------	----------------------------	------------------------

### Rating data

Mechanical service life	5 x 10 <sup>6</sup> switching cycles
-------------------------	--------------------------------------

### Ratings data input

Input voltage	24 V DC $\pm$ 10%	Input current	7.1 mA
---------------	-------------------	---------------	--------

### Ratings data output

Relay type	RSS	Type of output	Potential-free contact
Contact material	AgNi 90/10	Rated voltage	$\leq$ 250 V AC
Max. AC continuous current	4.5 A	Minimum contact current	100 mA
Minimum contact voltage	5 V		

### Insulation coordination (EN50178)

Pollution severity level	2	Pulse voltage test (1,2/50 $\mu$ s)	6 kV
Insulation test voltage	1.2 kVAC		

### Insulation coordinates (EN50178)

Rated input insulation voltage	< 50 V AC	Rated output insulation voltage	250 V AC
Overvoltage category input/output	III	Overvoltage category output/output	II
Pollution severity level	2	Pulse voltage test (1,2/50 $\mu$ s)	6 kV
Insulation test voltage	1.2 kVAC	Clearance input/output	$\geq$ 5.5 mm

Creation date January 25, 2022 12:38:02 AM CET

**RSMS-16 24V+ 1CO S****Weidmüller Interface GmbH & Co. KG**

Klingenbergstraße 26

D-32758 Detmold

Germany

www.weidmueller.com

**Technical data****Connection field**

Clamping range, max.	6 mm <sup>2</sup>	Clamping range, min.	0.13 mm <sup>2</sup>
Flexible with sleeve, max.	2.5 mm <sup>2</sup>	Flexible with sleeve, min.	0.5 mm <sup>2</sup>
Flexible, max. H05(07) V-K	4 mm <sup>2</sup>	Flexible, min. H05(07) V-K	0.5 mm <sup>2</sup>
Max. wire cross-section, AWG	AWG 12	Min. wire cross-section, AWG	AWG 26
Sleeve with plastic collar, max.	2.5 mm <sup>2</sup>	Solid, max. H05(07) V-U	6 mm <sup>2</sup>
Solid, min. H05(07) V-U	0.5 mm <sup>2</sup>	Stripping length	6 mm
Tightening torque, max.	0.6 Nm	Tightening torque, min.	0.5 Nm
Type of connection	Screw connection		

**Classifications**

ETIM 6.0	EC002780	ETIM 7.0	EC002780
ETIM 8.0	EC002780	ECLASS 9.0	27-14-11-52
ECLASS 9.1	27-24-22-16	ECLASS 10.0	27-14-11-52
ECLASS 11.0	27-14-11-52		

**Approvals**

Approvals



ROHS	Conform
UL File Number Search	E141197

**Downloads**

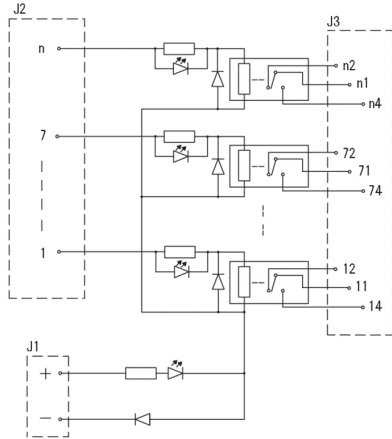
Approval/Certificate/Document of Conformity	<a href="#">Declaration of Conformity</a>
Product Change Notification	<a href="#">20210818 Technical change to RSMS relay interfaces</a>
Catalogues	<a href="#">Catalogues in PDF-format</a>
Brochures	

**RSMS-16 24V+ 1CO S**

**Weidmüller Interface GmbH & Co. KG**  
Klingenbergstraße 26  
D-32758 Detmold  
Germany

**Drawings**

[www.weidmueller.com](http://www.weidmueller.com)



# Mouser Electronics

Authorized Distributor

Click to View Pricing, Inventory, Delivery & Lifecycle Information:

[Weidmuller:](#)

[1456970000](#)