

**IE-FC-SFP-KNOB****Weidmüller Interface GmbH & Co. KG**

Klingenbergstraße 26

D-32758 Detmold

Germany

www.weidmueller.com



FrontCom® Vario integrates multiple functions in only one single frame. The system is easy to install and you can select from a wide range of data, signal and power modules. In addition to being extremely compact, FrontCom® Vario offers a number of unique product features that will make your project planning and work activities secure, fast and future-proof. Furthermore, the FrontCom® Vario system has an attractive housing design that, by the way, offers highest impact-resistance and fully meets the requirements of IP 65 protection class.

**General ordering data**

|            |   |
|------------|---|
| Version    | FrontCom, Single frame, Plastic cover, Control knob locking |
| Order No.  | <a href="#">1450510000</a>                                  |
| Type       | IE-FC-SFP-KNOB  |
| GTIN (EAN) | 4050118255454   |
| Qty.       | 1 pc(s).  |

Creation date January 25, 2022 12:31:27 AM CET

Catalogue status 14.01.2022 / We reserve the right to make technical changes.

**IE-FC-SFP-KNOB****Weidmüller Interface GmbH & Co. KG**

Klingenbergstraße 26

D-32758 Detmold

Germany

www.weidmueller.com

**Technical data****Dimensions and weights**

|                      |          |                      |            |
|----------------------|----------|----------------------|------------|
| Depth                | 134 mm   | Depth (inches)       | 5.276 inch |
| Height               | 27.5 mm  | Height (inches)      | 1.083 inch |
| Width                | 67 mm    | Width (inches)       | 2.638 inch |
| Wall thickness, min. | 1 mm     | Wall thickness, max. | 5 mm       |
| Net weight           | 322.53 g |                      |            |

**Temperatures**

Operating temperature -40 °C...70 °C

**General data**

|                |  |                   |                       |
|----------------|--|-------------------|-----------------------|
| Material cover | Polycarbonate PC                                     | Material frame    | Zinc diecast          |
| Product type   | Single frame, Plastic cover,<br>Control knob locking | Protection degree | IP65, in closed state |

**General standards**

Certificate No. (DNVGL) TAA000022B

**Classifications**

|             |             |             |             |
|-------------|-------------|-------------|-------------|
| ETIM 6.0    | EC001031    | ETIM 7.0    | EC001031    |
| ETIM 8.0    | EC001031    | ECLASS 9.0  | 27-18-27-02 |
| ECLASS 9.1  | 27-18-27-90 | ECLASS 10.0 | 27-18-27-02 |
| ECLASS 11.0 | 27-18-27-02 |             |             |

**Approvals**

Approvals



ROHS Conform

**Downloads**

|   |  |
|---|--|
| Approval/Certificate/Document of Conformity | <a href="#">GL FrontCom</a>  |
| Engineering Data                            | <a href="#">CAD data – STEP</a>  |
| Engineering Data                            | <a href="#">EPLAN</a>  |
| Product Change Notification                 | <a href="#">FrontCom Vario Single Frame EN</a><br><a href="#">FrontCom Vario Single Frame DE</a>                           |
| User Documentation                          | <a href="#">MAN IE GUIDE DE</a><br><a href="#">MAN IE GUIDE EN</a><br>Manual<br><a href="#">Designation key / Type key</a> |
| Catalogues                                  | <a href="#">Catalogues in PDF-format</a>   |
| Brochures                                   | <a href="#">FL FIELDWIRING EN</a><br><a href="#">PI PROFINET CABLING EN</a><br><a href="#">PI PROFINET CABLING EN</a>      |

Creation date January 25, 2022 12:31:27 AM CET

Catalogue status 14.01.2022 / We reserve the right to make technical changes.

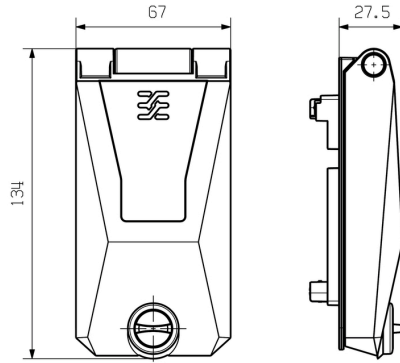
**IE-FC-SFP-KNOB**

**Weidmüller Interface GmbH & Co. KG**  
Klingenbergstraße 26  
D-32758 Detmold  
Germany

[www.weidmueller.com](http://www.weidmueller.com)

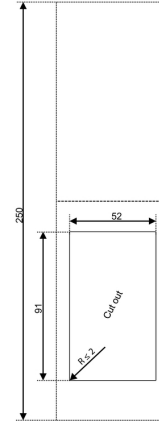
**Drawings**

**Dimensioned drawing**



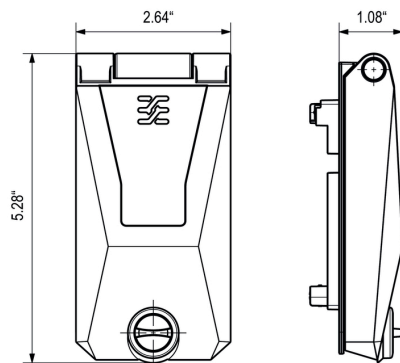
Unit: mm

**Installation cut-out**



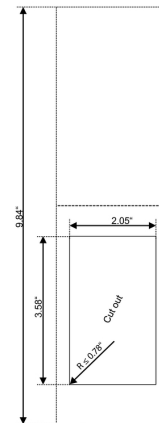
Unit: mm

**Dimensioned drawing**



Unit: in

**Installation cut-out**



Unit: in

## IE-FC-SFP-KNOB

**Weidmüller Interface GmbH & Co. KG**  
 Klingenbergstraße 26  
 D-32758 Detmold  
 Germany

www.weidmueller.com

## Accessories

## Blank



ESG is the tried-and-tested marker in MultiCard format for use on many well-known electrical devices. The result is high-quality device marking with a high-contrast appearance.

Various types are available for devices from manufacturers like Siemens, ABB, Beckhoff etc. Advantages at a glance:

- Tags for universal usage, self-adhesive or clip-on tags, depending on type
- For aligned equipment, e.g. circuit breakers, we supply ESG markers for clipping onto tag rails
- Individual laser-quality printing according to specifications

**For custom printing:** Please send us a file of our labeling software M-Print PRO or M-Print PRO Online (without installation) for your labeling specifications.

## General ordering data

|            |                            |  |
|------------|----------------------------|--|
| Type       | ESG 7/20 SIRIUS MC NE WS   | Version  |
| Order No.  | <a href="#">1736181044</a> | ESG, Device markers x 20 mm, PA 66, Colour: white, pluggable |
| GTIN (EAN) | 4008190985950              |  |
| Qty.       | 200 pc(s).                 |  |

## Blank, adhesive backing



SM is a MultiCard marker for labelling control and signalling devices. The tags are clipped into the carriers or attached by means of the adhesive film already fitted to them. Customised tags can be created with the PrintJet CONNECT or Plotter marking systems.

- Users can quickly produce tags to suit their needs
- No need to stock expensive standard tags
- Highly resistant printing quality when using the PrintJet as a substitute for engraving
- For extreme demands, we recommend the ETO SM protective film
- Holders can be used for the 22-mm or 30-mm-diameter push-buttons from Siemens, ABB, Moeller and Télémécanique

**For custom printing:** Please send us a file of our labeling software M-Print PRO or M-Print PRO Online (without installation) for your labeling specifications.

## General ordering data

|            |                            |  |
|------------|----------------------------|--|
| Type       | SM 27/18 K MC NE GR        | Version                                      |
| Order No.  | <a href="#">1073340000</a> | SwitchMark, Device markers, 18 x 27 mm, grey |
| GTIN (EAN) | 4032248831425              |  |
| Qty.       | 80 pc(s).                  |  |

Creation date January 25, 2022 12:31:27 AM CET

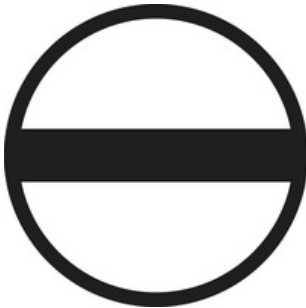
**IE-FC-SFP-KNOB**

**Weidmüller Interface GmbH & Co. KG**  
Klingenbergstraße 26  
D-32758 Detmold  
Germany

[www.weidmueller.com](http://www.weidmueller.com)

**Accessories**

|            |                            |  |
|------------|----------------------------|--|
| Type       | SM 27/18 K MC NE SI        | Version  |
| Order No.  | <a href="#">1713760000</a> | SwitchMark, Device markers, 18 x 27 mm, silver |
| GTIN (EAN) | 4008190331177              |  |
| Qty.       | 80 pc(s).                  |  |
| Type       | SM 27/18 K MC NE WS        | Version  |
| Order No.  | <a href="#">1707270000</a> | SwitchMark, Device markers, 18 x 27 mm, white  |
| GTIN (EAN) | 4008190925116              |  |
| Qty.       | 80 pc(s).                  |  |

**Slotted screwdriver**

Slotted screwdriver with rounded blade SD DIN 5265, ISO 2380/2, output to DIN 5264, ISO 2380/1. ChromTop tip, SoftFinish grip

**General ordering data**

|            |                            |                          |
|------------|----------------------------|--------------------------|
| Type       | SDS 0.4X2.5X75             | Version                  |
| Order No.  | <a href="#">9009030000</a> | Screwdriver, Screwdriver |
| GTIN (EAN) | 4032248266944              |                          |
| Qty.       | 1 pc(s).                   |                          |

**Rectangular splitting stamp for frontcom**

Weidmüller punching tools should be your first choice for making cut-outs in your electrical cabinets!

- PG cable glands
- M cable glands
- Special cable glands

**General ordering data**

|            |                            |             |
|------------|----------------------------|-------------|
| Type       | KOK 52 X 91                | Version     |
| Order No.  | <a href="#">2008410000</a> | Sheet holes |
| GTIN (EAN) | 4050118394177              |             |
| Qty.       | 1 pc(s).                   |             |

**IE-FC-SFP-KNOB**

**Weidmüller Interface GmbH & Co. KG**  
 Klingenbergstraße 26  
 D-32758 Detmold  
 Germany

www.weidmueller.com

**Accessories**

**Accessories for FrontCom Vario**



**Accessories**

**General ordering data**

|            |                            |                                 |
|------------|----------------------------|---------------------------------|
| Type       | IE-FC-PWPC                 | Version                         |
| Order No.  | <a href="#">1450820000</a> | FrontCom, Touch-safe protection |
| GTIN (EAN) | 4050118255584              |                                 |
| Qty.       | 1 pc(s).                   |                                 |

**Tool**



- Overpressure valve protects against overloading
- Cylinder head angled at 90°
- Angled head can be rotated through 360°
- Ergonomic handle springs back automatically
- The waste piece no longer becomes jammed thanks to triple splitting
- Hydraulic punch made of high-strength aluminium (approx. 40% weight saving)
- Service life greatly reduced when stainless steel sheets are used

**General ordering data**

|            |                            |             |
|------------|----------------------------|-------------|
| Type       | IE-KO-HAT                  | Version     |
| Order No.  | <a href="#">1966810000</a> | Sheet holes |
| GTIN (EAN) | 4032248659630              |             |
| Qty.       | 1 pc(s).                   |             |

**IE-FC-SFP-KNOB**

**Weidmüller Interface GmbH & Co. KG**  
Klingenbergstraße 26  
D-32758 Detmold  
Germany

[www.weidmueller.com](http://www.weidmueller.com)

**Accessories****Crosshead screwdriver Pozidriv**

Crosshead screwdriver, Pozidriv, SDK PZ DIN 5262, ISO 8764/2-PZ, output to ISO 8764/1-PZ, ChromTop tip, SoftFinish grip

**General ordering data**

|            |                            |                          |
|------------|----------------------------|--------------------------|
| Type       | SDK PZ1                    | Version                  |
| Order No.  | <a href="#">9008530000</a> | Screwdriver, Screwdriver |
| GTIN (EAN) | 4032248056521              |                          |
| Qty.       | 1 pc(s).                   |                          |

# Mouser Electronics

Authorized Distributor

Click to View Pricing, Inventory, Delivery & Lifecycle Information:

[Weidmuller:](#)

[1450510000](#)