

RSM-8 230VAC 2CO S

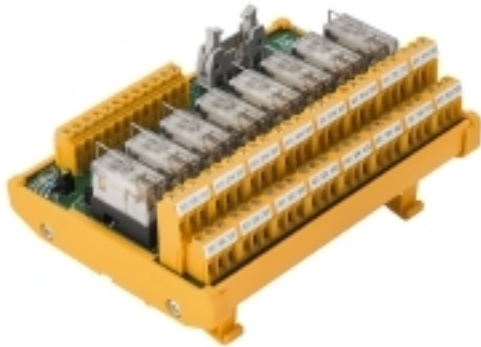
Weidmüller Interface GmbH & Co. KG

Klingenbergstraße 26

D-32758 Detmold

Germany

www.weidmueller.com



Similar to illustration

Relay bases (RSM) with common positive and negative to be connected to PLC or other type of controllers. The interfaces are made up of groups of 4, 8 or 16 RCL relays (12.7 mm) or RSS (6.1 mm). The connection to the controller can be set up using pluggable connectors or using direct cabling with IEC 60603-13 connectors. Wide range of options:

- 1 or 2 CO contacts with 16/8/6 A relays
- Voltages from 5 to 230 V
- Screw, tension clamp or PUSH IN connection
- Compatible with Weidmüller's solid-state relays

The range of relays provides galvanic isolation between input/output as well as between the adjacent contacts on the relays. This enables the various voltages in the controllers and those required by the various field elements to be safely adapted.

General ordering data

Version	Interface, RSM, Screw connection
Order No.	1449080000
Type	RSM-8 230VAC 2CO S
GTIN (EAN)	4050118253702
Qty.	1 pc(s).

RSM-8 230VAC 2CO S**Weidmüller Interface GmbH & Co. KG**

Klingenbergstraße 26

D-32758 Detmold

Germany

www.weidmueller.com

Technical data**Dimensions and weights**

Depth	71 mm	Depth (inches)	2.795 inch
Height	109 mm	Height (inches)	4.291 inch
Width	149 mm	Width (inches)	5.866 inch
Net weight	412.308 g		

Temperatures

Storage temperature	-40...60 °C	Operating temperature	-25...50 °C
---------------------	-------------	-----------------------	-------------

Environmental Product Compliance

REACH SVHC	Lead 7439-92-1
------------	----------------

Rated data UL

Operating temperature UL, max.	50 °C	Operating temperature UL, min.	0 °C
Rated current I_N	3.3 mA	Rated voltage DC U_N (input)	230 V AC/DC
Rated voltage AC U_N (output)	250 V AC	Rated current I_{max} (output)	4.6 A

General data

LED status display per relay	green
------------------------------	-------

Connection data

Connection (field side)	LL2N 5.08 mm	Connection on control side	LP 5.08 mm, LL 5.08 mm
-------------------------	--------------	----------------------------	------------------------

Rating data

Mechanical service life	10 x 10 ⁶ switching cycles
-------------------------	---------------------------------------

Ratings data input

Input voltage	230 V AC ± 10%	Input current	3.3 mA
---------------	----------------	---------------	--------

Ratings data output

Relay type	RCL	Type of output	Potential-free contact
Contact material	AgNi 90/10	Rated voltage	≤ 250 V AC
Max. AC continuous current	5 A	Minimum contact current	0.1 A
Minimum contact voltage	5 V		

Insulation coordination (EN50178)

Pollution severity level	2	Pulse voltage test (1,2/50µs)	6 kV
Insulation test voltage	1.2 kVAC		

Insulation coordinates (EN50178)

Rated input insulation voltage	< 50 V AC	Rated output insulation voltage	250 V AC
Oversvoltage category input/output	III	Oversvoltage category output/output	III
Pollution severity level	2	Pulse voltage test (1,2/50µs)	6 kV
Insulation test voltage	1.2 kVAC	Clearance input/output	≥ 5.5 mm

Creation date January 25, 2022 12:11:00 AM CET

Catalogue status 14.01.2022 / We reserve the right to make technical changes.

2

RSM-8 230VAC 2CO S**Weidmüller Interface GmbH & Co. KG**

Klingenbergstraße 26

D-32758 Detmold

Germany

www.weidmueller.com

Technical data**Connection field**

Clamping range, max.	6 mm ²	Clamping range, min.	0.13 mm ²
Flexible with sleeve, max.	2.5 mm ²	Flexible with sleeve, min.	0.5 mm ²
Flexible, max. H05(07) V-K	4 mm ²	Flexible, min. H05(07) V-K	0.5 mm ²
Max. wire cross-section, AWG	AWG 12	Min. wire cross-section, AWG	AWG 26
Sleeve with plastic collar, max.	2.5 mm ²	Solid, max. H05(07) V-U	6 mm ²
Solid, min. H05(07) V-U	0.5 mm ²	Stripping length	6 mm
Tightening torque, max.	0.6 Nm	Tightening torque, min.	0.5 Nm
Type of connection	Screw connection		

Classifications

ETIM 6.0	EC002780	ETIM 7.0	EC002780
ETIM 8.0	EC002780	ECLASS 9.0	27-14-11-52
ECLASS 9.1	27-24-22-16	ECLASS 10.0	27-14-11-52
ECLASS 11.0	27-14-11-52		

Approvals

Approvals



ROHS	Conform
UL File Number Search	E141197

Downloads

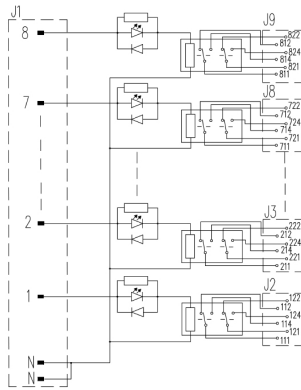
Approval/Certificate/Document of Conformity	Declaration of Conformity
Product Change Notification	20210816 Technical change to RSM relay interfaces
Catalogues	Catalogues in PDF-format
Brochures	

RSM-8 230VAC 2CO S

Weidmüller Interface GmbH & Co. KG
Klingenbergstraße 26
D-32758 Detmold
Germany

Drawings

www.weidmueller.com



Mouser Electronics

Authorized Distributor

Click to View Pricing, Inventory, Delivery & Lifecycle Information:

[Weidmuller:](#)

[1449080000](#)