

## RSM-4 24VAC/DC 2CO Z

**Weidmüller Interface GmbH & Co. KG**

Klingenbergstraße 26

D-32758 Detmold

Germany

[www.weidmueller.com](http://www.weidmueller.com)



Similar to illustration

Relay bases (RSM) with common positive and negative to be connected to PLC or other type of controllers. The interfaces are made up of groups of 4, 8 or 16 RCL relays (12.7 mm) or RSS (6.1 mm). The connection to the controller can be set up using pluggable connectors or using direct cabling with IEC 60603-13 connectors. Wide range of options:

- 1 or 2 CO contacts with 16/8/6 A relays
- Voltages from 5 to 230 V
- Screw, tension clamp or PUSH IN connection
- Compatible with Weidmüller's solid-state relays

The range of relays provides galvanic isolation between input/output as well as between the adjacent contacts on the relays. This enables the various voltages in the controllers and those required by the various field elements to be safely adapted.

### General ordering data

Version	Interface, RSM, Tension-clamp connection
Order No.	<a href="#">1448770000</a>
Type	RSM-4 24VAC/DC 2CO Z
GTIN (EAN)	4050118253306
Qty.	1 pc(s).

**RSM-4 24VAC/DC 2CO Z****Weidmüller Interface GmbH & Co. KG**

Klingenbergstraße 26

D-32758 Detmold

Germany

www.weidmueller.com

**Technical data****Dimensions and weights**

Depth	66 mm	Depth (inches)	2.598 inch
Height	109 mm	Height (inches)	4.291 inch
Width	75 mm	Width (inches)	2.953 inch
Net weight	211.614 g		

**Temperatures**

Storage temperature	-40...60 °C	Operating temperature	-25...50 °C
---------------------	-------------	-----------------------	-------------

**General data**

LED status display per relay	green
------------------------------	-------

**Connection data**

Connection (field side)	LM2NZF 5.08mm	Connection on control side	LMZF
-------------------------	---------------	----------------------------	------

**Rating data**

Mechanical service life	30 x 10 <sup>6</sup> switching cycles
-------------------------	---------------------------------------

**Ratings data input**

Input voltage	24 V AC ± 10%	Input current	DC 22.9 mA / AC 13.9 mA
---------------	---------------	---------------	-------------------------

**Ratings data output**

Relay type	RCL	Type of output	Potential-free contact
Contact material	AgNi 90/10	Rated voltage	≤ 250 V AC
Max. AC continuous current	5 A	Minimum contact current	0.1 A
Minimum contact voltage	5 V		

**Insulation coordination (EN50178)**

Pollution severity level	2	Pulse voltage test (1,2/50µs)	6 kV
Insulation test voltage	1.2 kVAC		

**Insulation coordinates (EN50178)**

Rated input insulation voltage	< 50 V AC	Rated output insulation voltage	250 V AC
Overtoltage category input/output	III	Overtoltage category output/output	III
Pollution severity level	2	Pulse voltage test (1,2/50µs)	6 kV
Insulation test voltage	1.2 kVAC	Clearance input/output	≥ 5.5 mm

**Connection field**

Clamping range, max.	2.5 mm <sup>2</sup>	Clamping range, min.	0.13 mm <sup>2</sup>
Flexible with sleeve, max.	1.5 mm <sup>2</sup>	Flexible, max. H05(07) V-K	1.5 mm <sup>2</sup>
Flexible, min. H05(07) V-K	0.5 mm <sup>2</sup>	Max. wire cross-section, AWG	AWG 14
Min. wire cross-section, AWG	AWG 26	Solid, max. H05(07) V-U	1.5 mm <sup>2</sup>
Solid, min. H05(07) V-U	0.5 mm <sup>2</sup>	Stripping length	7 mm
Type of connection	Tension-clamp connection		

Creation date January 24, 2022 11:49:43 PM CET

Catalogue status 14.01.2022 / We reserve the right to make technical changes.

## RSM-4 24VAC/DC 2CO Z

**Weidmüller Interface GmbH & Co. KG**  
Klingenbergstraße 26  
D-32758 Detmold  
Germany

[www.weidmueller.com](http://www.weidmueller.com)

## Technical data

### Classifications

ETIM 6.0	EC002780	ETIM 7.0	EC002780
ETIM 8.0	EC002780	ECLASS 9.0	27-14-11-52
ECLASS 9.1	27-24-22-16	ECLASS 10.0	27-14-11-52
ECLASS 11.0	27-14-11-52		

### Approvals

Approvals



ROHS

Conform

### Downloads

Approval/Certificate/Document of  
Conformity

[Declaration of Conformity](#)

Catalogues

[Catalogues in PDF-format](#)

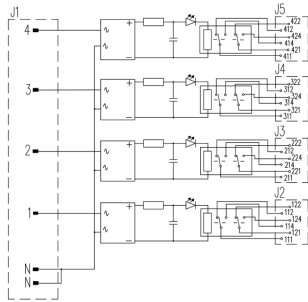
Brochures

**RSM-4 24VAC/DC 2CO Z**

**Weidmüller Interface GmbH & Co. KG**  
Klingenbergstraße 26  
D-32758 Detmold  
Germany

[www.weidmueller.com](http://www.weidmueller.com)

**Drawings**



# Mouser Electronics

Authorized Distributor

Click to View Pricing, Inventory, Delivery & Lifecycle Information:

[Weidmuller:](#)

[1448770000](#)