

RSM-4 24VAC/DC 2CO S

Weidmüller Interface GmbH & Co. KG

Klingenbergstraße 26

D-32758 Detmold

Germany

www.weidmueller.com



Relay bases (RSM) with common positive and negative to be connected to PLC or other type of controllers. The interfaces are made up of groups of 4, 8 or 16 RCL relays (12.7 mm) or RSS (6.1 mm). The connection to the controller can be set up using pluggable connectors or using direct cabling with IEC 60603-13 connectors. Wide range of options:

- 1 or 2 CO contacts with 16/8/6 A relays
- Voltages from 5 to 230 V
- Screw, tension clamp or PUSH IN connection
- Compatible with Weidmüller's solid-state relays

The range of relays provides galvanic isolation between input/output as well as between the adjacent contacts on the relays. This enables the various voltages in the controllers and those required by the various field elements to be safely adapted.

General ordering data

Version	Interface, RSM, Screw connection
Order No.	1448740000
Type	RSM-4 24VAC/DC 2CO S
GTIN (EAN)	4050118253412
Qty.	1 pc(s).

RSM-4 24VAC/DC 2CO S

Weidmüller Interface GmbH & Co. KG

Klingenbergstraße 26

D-32758 Detmold

Germany

www.weidmueller.com

Technical data

Dimensions and weights

Depth	71 mm	Depth (inches)	2.795 inch
Height	109 mm	Height (inches)	4.291 inch
Width	75 mm	Width (inches)	2.953 inch
Net weight	231.28 g		

Temperatures

Storage temperature	-40...60 °C	Operating temperature	-25...50 °C
---------------------	-------------	-----------------------	-------------

Rated data UL

Operating temperature UL, max.	50 °C	Operating temperature UL, min.	0 °C
Rated current I_N	22.9 mA	Rated voltage AC U_N (input)	24 V AC/DC $\pm 10\%$
Rated voltage AC U_N (output)	250 V AC	Rated current I_{max} (output)	4.6 A

General data

LED status display per relay	green
------------------------------	-------

Connection data

Connection (field side)	LL2N 5.08 mm	Connection on control side	LP 5.08 mm, LL 5.08 mm
-------------------------	--------------	----------------------------	------------------------

Rating data

Mechanical service life	30 x 10 ⁶ switching cycles
-------------------------	---------------------------------------

Ratings data input

Input voltage	24 V AC $\pm 10\%$	Input current	DC 22.9 mA / AC 13.9 mA
---------------	--------------------	---------------	-------------------------

Ratings data output

Relay type	RCL	Type of output	Potential-free contact
Contact material	AgNi 90/10	Rated voltage	≤ 250 V AC
Max. AC continuous current	5 A	Minimum contact current	0.1 A
Minimum contact voltage	5 V		

Insulation coordination (EN50178)

Pollution severity level	2	Pulse voltage test (1,2/50 μ s)	6 kV
Insulation test voltage	1.2 kVAC		

Insulation coordinates (EN50178)

Rated input insulation voltage	< 50 V AC	Rated output insulation voltage	250 V AC
Overvoltage category input/output	III	Overvoltage category output/output	III
Pollution severity level	2	Pulse voltage test (1,2/50 μ s)	6 kV
Insulation test voltage	1.2 kVAC	Clearance input/output	≥ 5.5 mm

RSM-4 24VAC/DC 2CO S**Weidmüller Interface GmbH & Co. KG**

Klingenbergstraße 26

D-32758 Detmold

Germany

www.weidmueller.com

Technical data**Connection field**

Clamping range, max.	6 mm ²	Clamping range, min.	0.13 mm ²
Flexible with sleeve, max.	2.5 mm ²	Flexible with sleeve, min.	0.5 mm ²
Flexible, max. H05(07) V-K	4 mm ²	Flexible, min. H05(07) V-K	0.5 mm ²
Max. wire cross-section, AWG	AWG 12	Min. wire cross-section, AWG	AWG 26
Sleeve with plastic collar, max.	2.5 mm ²	Solid, max. H05(07) V-U	6 mm ²
Solid, min. H05(07) V-U	0.5 mm ²	Stripping length	6 mm
Tightening torque, max.	0.6 Nm	Tightening torque, min.	0.5 Nm
Type of connection	Screw connection		

Classifications

ETIM 6.0	EC002780	ETIM 7.0	EC002780
ETIM 8.0	EC002780	ECLASS 9.0	27-14-11-52
ECLASS 9.1	27-24-22-16	ECLASS 10.0	27-14-11-52
ECLASS 11.0	27-14-11-52		

Approvals

Approvals



ROHS

Conform

Downloads

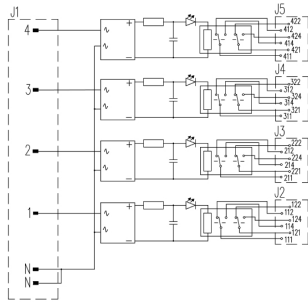
Approval/Certificate/Document of Conformity	Declaration of Conformity
Product Change Notification	20210816 Technical change to RSM relay interfaces
Catalogues	Catalogues in PDF-format
Brochures	

RSM-4 24VAC/DC 2CO S

Weidmüller Interface GmbH & Co. KG
Klingenbergstraße 26
D-32758 Detmold
Germany

www.weidmueller.com

Drawings



Mouser Electronics

Authorized Distributor

Click to View Pricing, Inventory, Delivery & Lifecycle Information:

[Weidmuller:](#)

[1448740000](#)