

RSM-4 48V+ 2CO Z

Weidmüller Interface GmbH & Co. KG

Klingenbergstraße 26

D-32758 Detmold

Germany

www.weidmueller.com



Similar to illustration

Relay bases (RSM) with common positive and negative to be connected to PLC or other type of controllers. The interfaces are made up of groups of 4, 8 or 16 RCL relays (12.7 mm) or RSS (6.1 mm). The connection to the controller can be set up using pluggable connectors or using direct cabling with IEC 60603-13 connectors. Wide range of options:

- 1 or 2 CO contacts with 16/8/6 A relays
- Voltages from 5 to 230 V
- Screw, tension clamp or PUSH IN connection
- Compatible with Weidmüller's solid-state relays

The range of relays provides galvanic isolation between input/output as well as between the adjacent contacts on the relays. This enables the various voltages in the controllers and those required by the various field elements to be safely adapted.

General ordering data

Version	Interface, RSM, Tension-clamp connection
Order No.	1448720000
Type	RSM-4 48V+ 2CO Z
GTIN (EAN)	4050118253078
Qty.	1 pc(s).

RSM-4 48V+ 2CO Z

Weidmüller Interface GmbH & Co. KG

Klingenbergstraße 26

D-32758 Detmold

Germany

www.weidmueller.com

Technical data

Dimensions and weights

Depth	66 mm	Depth (inches)	2.598 inch
Height	109 mm	Height (inches)	4.291 inch
Width	75 mm	Width (inches)	2.953 inch
Net weight	204.5 g		

Temperatures

Storage temperature	-40...60 °C	Operating temperature	-25...50 °C
---------------------	-------------	-----------------------	-------------

Environmental Product Compliance

REACH SVHC	Lead 7439-92-1
------------	----------------

General data

LED status display per relay	green	LED status of the supply voltage	yellow
------------------------------	-------	----------------------------------	--------

Connection data

Connection (field side)	LM2NZF 5.08mm	Connection on control side	LMZF
-------------------------	---------------	----------------------------	------

Rating data

Mechanical service life	30 x 10 ⁶ switching cycles
-------------------------	---------------------------------------

Ratings data input

Input voltage	48 V DC ± 10%	Input current	8.7 mA
---------------	---------------	---------------	--------

Ratings data output

Relay type	RCL	Type of output	Potential-free contact
Contact material	AgNi 90/10	Rated voltage	≤ 250 V AC
Max. AC continuous current	5 A	Minimum contact current	0.1 A
Minimum contact voltage	5 V		

Insulation coordination (EN50178)

Pollution severity level	2	Pulse voltage test (1,2/50µs)	6 kV
Insulation test voltage	1.2 kVAC		

Insulation coordinates (EN50178)

Rated input insulation voltage	< 50 V AC	Rated output insulation voltage	250 V AC
Overvoltage category input/output	III	Overvoltage category output/output	III
Pollution severity level	2	Pulse voltage test (1,2/50µs)	6 kV
Insulation test voltage	1.2 kVAC	Clearance input/output	≥ 5.5 mm

RSM-4 48V+ 2CO Z**Weidmüller Interface GmbH & Co. KG**

Klingenbergstraße 26

D-32758 Detmold

Germany

www.weidmueller.com

Technical data**Connection field**

Clamping range, max.	2.5 mm ²	Clamping range, min.	0.13 mm ²
Flexible with sleeve, max.	1.5 mm ²	Flexible, max. H05(07) V-K	1.5 mm ²
Flexible, min. H05(07) V-K	0.5 mm ²	Max. wire cross-section, AWG	AWG 14
Min. wire cross-section, AWG	AWG 26	Solid, max. H05(07) V-U	1.5 mm ²
Solid, min. H05(07) V-U	0.5 mm ²	Stripping length	7 mm
Type of connection	Tension-clamp connection		

Classifications

ETIM 6.0	EC002780	ETIM 7.0	EC002780
ETIM 8.0	EC002780	ECLASS 9.0	27-14-11-52
ECLASS 9.1	27-24-22-16	ECLASS 10.0	27-14-11-52
ECLASS 11.0	27-14-11-52		

Approvals

Approvals



ROHS

Conform

DownloadsApproval/Certificate/Document of
Conformity[Declaration of Conformity](#)

Catalogues

[Catalogues in PDF-format](#)

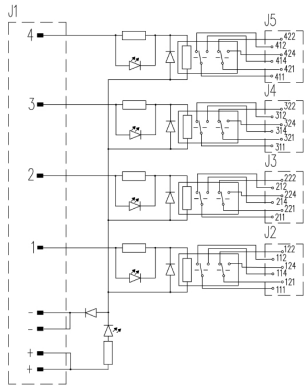
Brochures

RSM-4 48V+ 2CO Z

Weidmüller Interface GmbH & Co. KG
Klingenbergstraße 26
D-32758 Detmold
Germany

www.weidmueller.com

Drawings



Mouser Electronics

Authorized Distributor

Click to View Pricing, Inventory, Delivery & Lifecycle Information:

[Weidmuller:](#)

[1448720000](#)