

## RSM-4 24V+ 2CO S

**Weidmüller Interface GmbH & Co. KG**

Klingenbergstraße 26

D-32758 Detmold

Germany

[www.weidmueller.com](http://www.weidmueller.com)



Relay bases (RSM) with common positive and negative to be connected to PLC or other type of controllers. The interfaces are made up of groups of 4, 8 or 16 RCL relays (12.7 mm) or RSS (6.1 mm). The connection to the controller can be set up using pluggable connectors or using direct cabling with IEC 60603-13 connectors. Wide range of options:

- 1 or 2 CO contacts with 16/8/6 A relays
- Voltages from 5 to 230 V
- Screw, tension clamp or PUSH IN connection
- Compatible with Weidmüller's solid-state relays

The range of relays provides galvanic isolation between input/output as well as between the adjacent contacts on the relays. This enables the various voltages in the controllers and those required by the various field elements to be safely adapted.

### General ordering data

Version	Interface, RSM, Screw connection
Order No.	<a href="#">1448650000</a>
Type	RSM-4 24V+ 2CO S
GTIN (EAN)	4050118253283
Qty.	1 pc(s).

**RSM-4 24V+ 2CO S****Weidmüller Interface GmbH & Co. KG**

Klingenbergstraße 26

D-32758 Detmold

Germany

www.weidmueller.com

**Technical data****Dimensions and weights**

Depth	71 mm	Depth (inches)	2.795 inch
Height	109 mm	Height (inches)	4.291 inch
Width	75 mm	Width (inches)	2.953 inch
Net weight	234.724 g		

**Temperatures**

Storage temperature	-40...60 °C	Operating temperature	-25...50 °C
---------------------	-------------	-----------------------	-------------

**Environmental Product Compliance**

REACH SVHC	Lead 7439-92-1
------------	----------------

**Rated data UL**

Operating temperature UL, max.	50 °C	Operating temperature UL, min.	0 °C
Rated current $I_N$	16.7 mA	Rated voltage DC $U_N$ (supply)	24 V DC $\pm 10\%$
Rated current (supply)	4.6 A	Rated voltage DC $U_N$ (input)	24 V DC $\pm 10\%$
Rated voltage AC $U_N$ (output)	250 V AC	Rated current $I_{max}$ (output)	4.6 A

**General data**

LED status display per relay	green	LED status of the supply voltage	yellow
------------------------------	-------	----------------------------------	--------

**Connection data**

Connection (field side)	LL2N 5.08 mm	Connection on control side	LP 5.08 mm, LL 5.08 mm
-------------------------	--------------	----------------------------	------------------------

**Rating data**

Mechanical service life	30 x 10 <sup>6</sup> switching cycles
-------------------------	---------------------------------------

**Ratings data input**

Input voltage	24 V DC $\pm 10\%$	Input current	16.7 mA
---------------	--------------------	---------------	---------

**Ratings data output**

Relay type	RCL	Type of output	Potential-free contact
Contact material	AgNi 90/10	Rated voltage	$\leq 250$ V AC
Max. AC continuous current	5 A	Minimum contact current	0.1 A
Minimum contact voltage	5 V		

**Insulation coordination (EN50178)**

Pollution severity level	2	Pulse voltage test (1,2/50 $\mu$ s)	6 kV
Insulation test voltage	1.2 kVAC		

**Insulation coordinates (EN50178)**

Rated input insulation voltage	$< 50$ V AC	Rated output insulation voltage	250 V AC
Overvoltage category input/output	III	Overvoltage category output/output	III
Pollution severity level	2	Pulse voltage test (1,2/50 $\mu$ s)	6 kV
Insulation test voltage	1.2 kVAC	Clearance input/output	$\geq 5.5$ mm

Creation date January 24, 2022 11:28:56 PM CET

**RSM-4 24V+ 2CO S****Weidmüller Interface GmbH & Co. KG**

Klingenbergstraße 26

D-32758 Detmold

Germany

www.weidmueller.com

**Technical data****Connection field**

Clamping range, max.	6 mm <sup>2</sup>	Clamping range, min.	0.13 mm <sup>2</sup>
Flexible with sleeve, max.	2.5 mm <sup>2</sup>	Flexible with sleeve, min.	0.5 mm <sup>2</sup>
Flexible, max. H05(07) V-K	4 mm <sup>2</sup>	Flexible, min. H05(07) V-K	0.5 mm <sup>2</sup>
Max. wire cross-section, AWG	AWG 12	Min. wire cross-section, AWG	AWG 26
Sleeve with plastic collar, max.	2.5 mm <sup>2</sup>	Solid, max. H05(07) V-U	6 mm <sup>2</sup>
Solid, min. H05(07) V-U	0.5 mm <sup>2</sup>	Stripping length	6 mm
Tightening torque, max.	0.6 Nm	Tightening torque, min.	0.5 Nm
Type of connection	Screw connection		

**Classifications**

ETIM 6.0	EC002780	ETIM 7.0	EC002780
ETIM 8.0	EC002780	ECLASS 9.0	27-14-11-52
ECLASS 9.1	27-24-22-16	ECLASS 10.0	27-14-11-52
ECLASS 11.0	27-14-11-52		

**Approvals**

Approvals



ROHS

Conform

**Downloads**

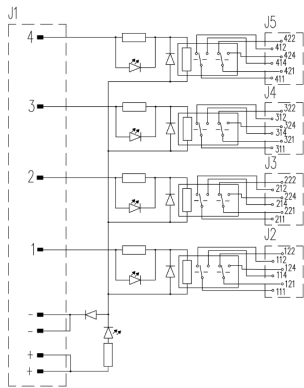
Approval/Certificate/Document of Conformity	<a href="#">Declaration of Conformity</a>
Product Change Notification	<a href="#">20210816 Technical change to RSM relay interfaces</a>
Catalogues	<a href="#">Catalogues in PDF-format</a>
Brochures	

RSM-4 24V+ 2CO S

Weidmüller Interface GmbH & Co. KG  
Klingenbergstraße 26  
D-32758 Detmold  
Germany

[www.weidmueller.com](http://www.weidmueller.com)

Drawings



# Mouser Electronics

Authorized Distributor

Click to View Pricing, Inventory, Delivery & Lifecycle Information:

[Weidmuller:](#)

[1448650000](#)