

CH20M AD SHL 5.00/04 LGY 2018

Weidmüller Interface GmbH & Co. KG
 Klingenbergstraße 26
 D-32758 Detmold
 Germany

www.weidmueller.com

Product image



The perfect platform for function and innovation:

Innovative function electronics require intelligent "packages" in order to integrate perfectly in the system environment.

The ongoing development and consistent expansion of the Weidmüller electronics housing portfolio provides a secure platform for future electronics applications whatever the design or intended use. CAD data for PCBs is provided for all enclosures. Screw and tension clamp terminals are available for all connections.

The consistent synergy between design, connection system and functionality lays the perfect foundation stone for electronics systems designed in line with market and application requirements.

Function, shape and manufacturing quality combine into a single logical unit that provides maximum reliability and operating comfort for the user.

General ordering data

Version	Hood, OMNIMATE Housing - series CH20M Light Grey, Width: 22.5 mm
Order No.	1432890000
Type	CH20M AD SHL 5.00/04 LGY 2018
GTIN (EAN)	4050118237641
Qty.	50 pc(s).

CH20M AD SHL 5.00/04 LGY 2018

Weidmüller Interface GmbH & Co. KG
 Klingenbergstraße 26
 D-32758 Detmold
 Germany

www.weidmueller.com

Technical data

Dimensions and weights

Height	23.7 mm	Height (inches)	0.933 inch
Width	22.5 mm	Width (inches)	0.886 inch
Net weight	1.61 g		

Temperatures

Operating temperature range	-40 °C... 120 °C	Humidity	5 - 93% rel. humidity, Tu = 40°C, no condensation
-----------------------------	------------------	----------	---

General data

Colour	Light Grey	Colour chart (similar)	RAL 7035
Encapsulation option	No	Protection degree	IP20 in installed state

Material data

Comparative Tracking Index (CTI)	600 ≤ CTI	Insulating material	PA 66 GF 30
Insulating material group	I		

Classifications

ETIM 6.0	EC001031	ETIM 7.0	EC001031
ETIM 8.0	EC001031	ECLASS 9.0	27-18-27-90
ECLASS 9.1	27-18-27-90	ECLASS 10.0	27-18-27-92
ECLASS 11.0	27-18-27-92		

Approvals

ROHS	Conform
------	---------

Downloads

Catalogues	Catalogues in PDF-format
------------	--

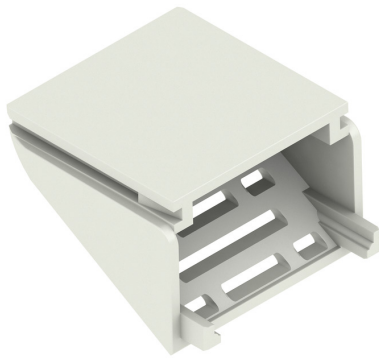
CH20M AD SHL 5.00/04 LGY 2018

Weidmüller Interface GmbH & Co. KG
Klingenbergstraße 26
D-32758 Detmold
Germany

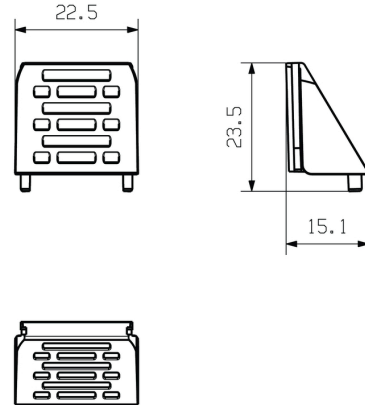
www.weidmueller.com

Drawings

Product image



Dimensioned drawing



Mouser Electronics

Authorized Distributor

Click to View Pricing, Inventory, Delivery & Lifecycle Information:

[Weidmuller:](#)

[1432890000](#)