

IE-PCBR-M12X-S-180**Weidmüller Interface GmbH & Co. KG**

Klingenbergstraße 26

D-32758 Detmold

Germany

www.weidmueller.com

**General ordering data**

Version	PCB plug-in connector, Cat.6A / Class E _A (ISO/IEC 11801 2010), IP67, when screwed in, Reflow compatible, Back panel mounting, 1-part
Order No.	1427670000
Type	IE-PCBR-M12X-S-180
GTIN (EAN)	4050118231915
Qty.	10 pc(s).

Creation date January 23, 2022 11:51:34 PM CET

Catalogue status 14.01.2022 / We reserve the right to make technical changes.

IE-PCBR-M12X-S-180**Weidmüller Interface GmbH & Co. KG**

Klingenbergstraße 26

D-32758 Detmold

Germany

www.weidmueller.com

Technical data**Dimensions and weights**

Wall thickness, min.	0.9 mm	Wall thickness, max.	2.5 mm
Net weight	16 g		

Temperatures

Operating temperature	-40 °C...85 °C
-----------------------	----------------

Environmental Product Compliance

REACH SVHC	Lead 7439-92-1
------------	----------------

Technical data of PCB plug-in connector

Coding	X	Number of poles	8
Rated voltage	48 V	Protection degree	IP67, when screwed in
Contact surface	Gold over nickel	Housing main material	CuZn
Connection thread	M12	Insulation strength	100 MΩ
Contact material	CuZn		

General Info

Configuration	Reflow compatible, Back panel mounting	Housing main material	CuZn
Category	Cat.6 _A / Class E _A (ISO/IEC 11801 2010)	Connection thread	M12
Contact material	CuZn	Contact surface	Gold over nickel
Shielding material	CuSn	Shielding	360° all-round enclosure
Protection degree	IP67, when screwed in		

Classifications

ETIM 6.0	EC002638	ETIM 7.0	EC003568
ETIM 8.0	EC003568	ECLASS 9.0	27-44-03-09
ECLASS 9.1	27-44-03-09	ECLASS 10.0	27-44-03-09
ECLASS 11.0	27-44-01-10		

Approvals

Approvals



ROHS	Conform
UL File Number Search	E316369

IE-PCBR-M12X-S-180**Weidmüller Interface GmbH & Co. KG**

Klingenbergstraße 26

D-32758 Detmold

Germany

www.weidmueller.com**Technical data****Downloads**

Approval/Certificate/Document of Conformity	DUXR.E316369 CC Link IE Field M12-X PROFINET Manufacturer's Declaration
Engineering Data	CAD data – STEP
User Documentation	MAN IE GUIDE DE MAN IE GUIDE EN
Catalogues	Catalogues in PDF-format
Brochures	MB FREECONTACT EN FL FIELDWIRING EN PI PROFINET CABLING EN PI PROFINET CABLING EN

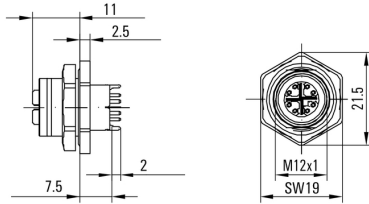
IE-PCBR-M12X-S-180

Weidmüller Interface GmbH & Co. KG
 Klingenbergstraße 26
 D-32758 Detmold
 Germany

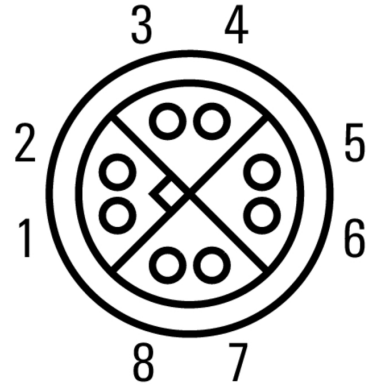
www.weidmueller.com

Drawings

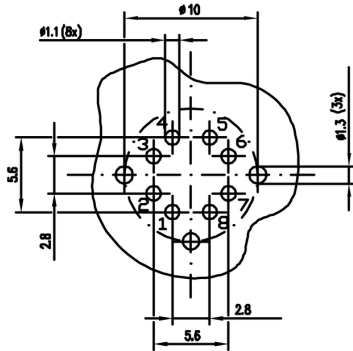
Dimensioned drawing



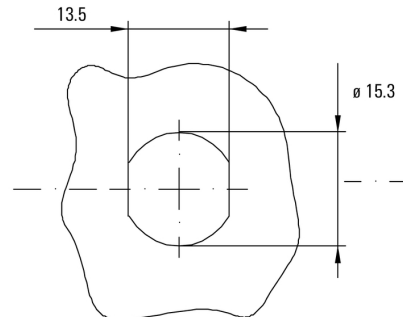
Pinning



Drilling template



Installation cut-out



IE-PCBR-M12X-S-180

Weidmüller Interface GmbH & Co. KG

Klingenbergstraße 26

D-32758 Detmold

Germany

www.weidmueller.com

Accessories

Screwty® cable gland tool with torque function



The ideal tool for any application

Screwty® is the ideal, all-purpose tool for tightening all common sensor and actuator cables. Even difficult-to-reach round plugs are accessible using the Screwty®. A simple turning movement tightens and loosens the connectors without the need for excessive force. The Screwty® is a unique and global solution since it fits with most cables and plugs from other vendors (over 90 %). The Screwty® consists of a handle with a conventional 1/4" adapter. Thus it can be used for all sizes: for M12 and M8 round plug-in connectors, and for M12F and M8F customisable plugs and sockets, as well as for all M23 plugs and sockets.

General ordering data

Type	SCREWTY-M12 F-DM	Version
Order No.	1900021000	Cable gland tool for M12 connectors
GTIN (EAN)	4032248436828	
Qty.	1 pc(s).	
Type	SCREWTY SET -DM	Version
Order No.	1920000000	Bolting tool
GTIN (EAN)	4032248436859	
Qty.	1 pc(s).	

Screwty® cable gland tool



The ideal tool for any application

Screwty® is the ideal, all-purpose tool for tightening all common sensor and actuator cables. Even difficult-to-reach round plugs are accessible using the Screwty®. A simple turning movement tightens and loosens the connectors without the need for excessive force. The Screwty® is a unique and global solution since it fits with most cables and plugs from other vendors (over 90 %). The Screwty® consists of a handle with a conventional 1/4" adapter. Thus it can be used for all sizes: for M12 and M8 round plug-in connectors, and for M12F and M8F customisable plugs and sockets, as well as for all M23 plugs and sockets.

General ordering data

Type	SCREWTY SET	Version
Order No.	1910000000	Bolting tool
GTIN (EAN)	4032248436842	
Qty.	1 pc(s).	
Type	SCREWTY- M12 F	Version
Order No.	1900020000	Cable gland tool for M12 connectors
GTIN (EAN)	4032248375851	
Qty.	1 pc(s).	

Mouser Electronics

Authorized Distributor

Click to View Pricing, Inventory, Delivery & Lifecycle Information:

[Weidmuller:](#)

[1427670000](#)