

RS 16IO 2W F-L H S**Weidmüller Interface GmbH & Co. KG**

Klingenbergstraße 26

D-32758 Detmold

Germany

www.weidmueller.com



Similar to illustration

The digital direct input/output interfaces are supplied with flat cable connectors to facilitate connection. They are available in tension clamp or clamping yoke connection, with elements such as fuses, disconnectors or LEDs.

General ordering data

Version	Interface, RS, Fuse, LED, 2-wire, Tension-clamp connection
Order No.	1311850000
Type	RS 16IO 2W F-L H S
GTIN (EAN)	4050118114171
Qty.	1 pc(s).

Creation date January 22, 2022 3:16:00 PM CET

Catalogue status 14.01.2022 / We reserve the right to make technical changes.

RS 16IO 2W F-L H S
Weidmüller Interface GmbH & Co. KG

Klingenbergstraße 26

D-32758 Detmold

Germany

www.weidmueller.com

Technical data
Dimensions and weights

Depth	72 mm	Depth (inches)	2.835 inch
Height	87 mm	Height (inches)	3.425 inch
Width	122 mm	Width (inches)	4.803 inch
Net weight	353.2 g		

Temperatures

Storage temperature	-40...60 °C	Operating temperature	-25...50 °C
---------------------	-------------	-----------------------	-------------

Environmental Product Compliance

REACH SVHC	Lead 7439-92-1
------------	----------------

General data

LED status display per channel	green	Disconnection per channel	No
Type of test point	No	Fuse per channel	500 mA
LED status of the supply voltage	yellow	Power supply fuse	3.15 A
Common pole polarity	Positive or negative can be selected using jumper		

Connection data

Connection (field side)	LP2N 5.08mm	Connection on control side	Plug-in connector in acc. with IEC60603-13 / DIN4 1651
Number of poles (control side)	20-pole plug	Wiring system	2-wire

Ratings data

Operating voltage	24 V DC \pm 10%	Max. current per channel	1 A
Total operating current	2 A		

Insulation coordination (EN50178)

According to	DIN EN 50178	Rated insulation voltage	< 50 V AC
Surge voltage category	III	Pollution severity level	2
Pulse voltage test (1,2/50 μ s)	0.8 kV	Insulation test voltage	0.35 kVAC

Connection field

Clamping range, max.	6 mm ²	Clamping range, min.	0.13 mm ²
Flexible with sleeve, max.	2.5 mm ²	Flexible with sleeve, min.	0.5 mm ²
Flexible, max. H05(07) V-K	4 mm ²	Flexible, min. H05(07) V-K	0.5 mm ²
Max. wire cross-section, AWG	AWG 14	Min. wire cross-section, AWG	AWG 26
Sleeve with plastic collar, max.	2.5 mm ²	Solid, max. H05(07) V-U	1.5 mm ²
Solid, min. H05(07) V-U	0.5 mm ²	Stripping length	7 mm
Tightening torque, max.	0.6 Nm	Tightening torque, min.	0.5 Nm
Type of connection	Tension-clamp connection		

RS 16IO 2W F-L H S**Weidmüller Interface GmbH & Co. KG**

Klingenbergstraße 26

D-32758 Detmold

Germany

www.weidmueller.com

Technical data**Supply connection**

Type of connection	Tension-clamp connection	Clamping range, min.	0.13 mm ²
Clamping range, max.	6 mm ²	Solid, min. H05(07) V-U	0.5 mm ²
Solid, max. H05(07) V-U	1.5 mm ²	Flexible, min. H05(07) V-K	0.5 mm ²
Flexible, max. H05(07) V-K	1.5 mm ²	Flexible with sleeve, max.	1.5 mm ²
Flexible with sleeve, min.	0.5 mm ²	Ferrule with plastic collar, max.	1.5 mm ²
Wire cross-section, min. AWG	AWG 26	Wire cross-section, max. AWG	AWG 12
Tightening torque, min.	0.5 Nm	Tightening torque, max.	0.6 Nm
Stripping length	6 mm		

Classifications

ETIM 6.0	EC002780	ETIM 7.0	EC002780
ETIM 8.0	EC002780	ECLASS 9.0	27-14-11-52
ECLASS 9.1	27-24-22-16	ECLASS 10.0	27-14-11-52
ECLASS 11.0	27-14-11-52		

Approvals

Approvals



ROHS

Conform

DownloadsApproval/Certificate/Document of
Conformity[Declaration of Conformity](#)

Catalogues

[Catalogues in PDF-format](#)

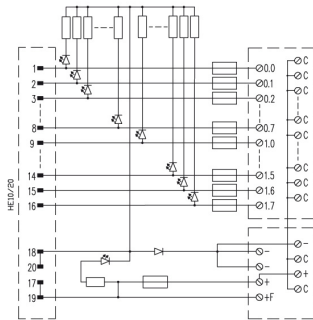
Brochures

RS 16IO 2W F-L H S

Weidmüller Interface GmbH & Co. KG
Klingenbergstraße 26
D-32758 Detmold
Germany

Drawings

www.weidmueller.com



Mouser Electronics

Authorized Distributor

Click to View Pricing, Inventory, Delivery & Lifecycle Information:

[Weidmuller:](#)

[1311850000](#)