

KLIPPON POK 122209 EX

Weidmüller Interface GmbH & Co. KG

Klingenbergstraße 26

D-32758 Detmold

Germany

www.weidmueller.com

Similar to illustration



The Klippon® POK enclosure range is made from a high-quality glass fibre reinforced polyester and is ideal for applications and environments where corrosion resistance, impact resistance and a high IP protection class are a requirement.

Key features of the extensive product range:

- Available in 17 sizes
- Two standard finishes (colours): grey (similar to RAL 7001 for industrial use) and black (similar to RAL 9011 for harsh environments, Ex)
- Cover with stainless steel screws in cross-head / slotted design
- Moulded gasket made of silicone or chloroprene
- Fixing holes outside the sealed area to ensure high ingress protection of IP66
- Impact resistance up to 7 Joules
- Mounting directly in the enclosure or using an internal mounting plate
- Direct wall mounting possible using fixing holes or mounting feet
- Fastening thread to attach mounting rails and plates
- Up to E60 fire rating dependent on the configuration
- Weidmüller can manufacture and supply this enclosure to match customer specifications - fitted with all necessary terminals and cable glands.

General ordering data

| | |
|---------------|---|
| Version | Klippon POK (polyester empty enclosure), Empty enclosure, Height: 120 mm, Width: 220 mm, Depth: 90 mm, Material: Glass fibre-reinforced polyester, untreated, polished, black |
| Order No. | 1306070000 |
| Type | KLIPPON POK 122209 EX |
| GTIN (EAN) | 4050118108385 |
| Qty. | 1 pc(s). |
| Required tool | 9008540000 |

KLIPPON POK 122209 EX

Weidmüller Interface GmbH & Co. KG

Klingenbergstraße 26

D-32758 Detmold

Germany

www.weidmueller.com

Technical data

Dimensions and weights

| | | | |
|----------------------------|------------|-----------------------------|------------|
| Depth | 90 mm | Depth (inches) | 3.543 inch |
| Height | 120 mm | Height (inches) | 4.724 inch |
| Height of lowest version | 90 mm | Width | 220 mm |
| Width (inches) | 8.661 inch | Mounting dimension - height | 82 mm |
| Mounting dimension - width | 204 mm | Net weight | 1,110 g |

Temperatures

| | |
|-----------------------|-----------------|
| Operating temperature | -55 °C...100 °C |
|-----------------------|-----------------|

Cable glands, left

| | | | |
|-----|---|-----|---|
| M12 | 8 | M16 | 4 |
| M20 | 3 | M25 | 1 |
| M32 | 1 | | |

Cable glands, right

| | | | |
|-----|---|-----|---|
| M12 | 8 | M16 | 4 |
| M20 | 3 | M25 | 1 |
| M32 | 1 | | |

Cable glands, top/bottom

| | | | |
|-----|----|-----|----|
| M12 | 24 | M16 | 14 |
| M20 | 12 | M25 | 5 |
| M32 | 4 | M40 | 3 |

Certificate numbers enclosure

| | | | |
|---|---|--|---------------------------|
| Approval conditions | ATEX, DNV, EAC, IECEX, LR, RMRS, UL AEx Class Div., UL AEx Class Zone, cULus, KC, CCC | Attestation of Conformity No. (AoC) | DE PS2600 160308 001ISS01 |
| Certificate No. (ATEX) | IBEXU13ATEX1004X | Certificate No. (DNVGL) | TAE00002R2 |
| Certificate No. (EAC) | C-DE.HB07.B.00089-20 | Certificate No. (GERMLLOYD) | TAE00002R2 |
| Certificate No. (IECEX) | IECEXIBE13.0003U | Certificate No. (LLOYDSREG) | 14_20001 |
| Certificate No. (MARITREG) | 19.00109.272 | Certificate no. (cULus) | E256877 |
| Certificate no. Terminal Box (AEx) | E223792 | Certificate no. Terminal Box (ATEX) | IBEXU13ATEX1004 X |
| Certificate no. Terminal Box (EAC) | C-DE.HB07.B.00089/20 Ex Terminal Box; C-DE.A154.B.00251/19 Ind. Terminal Box | Certificate no. Terminal Box (IECEX) | IECEX IBE 13.0004X |
| Certificate no. Terminal Box (INMETRO) | LMP 21.0021X | Certificate no. Terminal Box (KOSHA) | 16-AV4BO-0246X |
| Certificate no. empty enclosure (AEx) | E223792 | Certificate no. empty enclosure (ATEX) | IBEXU13ATEX1003 U |
| Certificate no. empty enclosure (IECEX) | IECEX IBE 13.0003U | Certificate no., empty enclosure (EAC) | C-DE.HB07.B.00089/20 |
| Declaration of Conformity No. (DoC LVD) | DE_PS2600_160412_001ISS01 | | |

KLIPPON POK 122209 EX

Weidmüller Interface GmbH & Co. KG

Klingenbergstraße 26

D-32758 Detmold

Germany

www.weidmueller.com

Technical data

General information

| | | | |
|-----------------------------|---|---------------------------------|---|
| Access opening: height | 111.22 mm | Access opening: width | 111.22 mm |
| Areas of use | Explosive risk zone, Harbour facilities, Machine construction, Process industry, Transportation | Enclosure attachment | Installation through the housing rear wall, Fixing lugs |
| Flange plate | No | Halogen | No |
| Impact resistance | 7 J ATEX version | Lid | Yes |
| Lid attachment | Slotted/Phillips screws | Material | Glass fibre-reinforced polyester |
| Material thickness of cover | 5 mm | Material thickness of enclosure | 4.39 mm |
| Number of lid screws | 4 | Operating temperature, max. | 100 °C |
| Operating temperature, min. | -55 °C | Protection class (UL) | Type 4, Type 4x |
| Protection degree | IP66 | Seal material | Silicone |
| Standards | DIN EN 62208 - Empty enclosure standard, IEC 60079-0, IEC 60079-7, IEC 60079-31 | Surface finish | untreated, polished |
| Torque for lid screws | 2.5 Nm | UL 94 flammability rating | V-0 |

horizontal assembly

| | | | |
|-----------------------------|------|-----------------|------|
| WDU 10 / ZDU 10 | 1x15 | WDU 16 / ZDU 16 | 1x13 |
| WDU 2,5 / ZDU 2,5 / IDU 2,5 | 1x31 | WDU 4 / ZDU 4 | 1x26 |
| WDU 6 / ZDU 6 | 1x19 | | |

vertical assembly

| | | | |
|-----------------------------|---|---------------|---|
| WDU 2,5 / ZDU 2,5 / IDU 2,5 | * | WDU 4 / ZDU 4 | * |
|-----------------------------|---|---------------|---|

Classifications

| | | | |
|-------------|-------------|-------------|-------------|
| ETIM 6.0 | EC002503 | ETIM 7.0 | EC002503 |
| ETIM 8.0 | EC002503 | ECLASS 9.0 | 27-18-05-02 |
| ECLASS 9.1 | 27-18-05-02 | ECLASS 10.0 | 27-18-05-02 |
| ECLASS 11.0 | 27-18-05-02 | | |

Approvals

Approvals



| | |
|-----------------------|---------|
| ROHS | Conform |
| UL File Number Search | E256877 |

KLIPPON POK 122209 EX

Weidmüller Interface GmbH & Co. KG

Klingenbergstraße 26

D-32758 Detmold

Germany

www.weidmueller.com

Technical data

Downloads

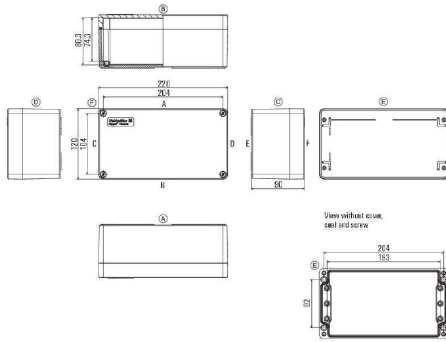
| | |
|---|---|
| Approval/Certificate/Document of Conformity | C-DE.HB07.B.00089-Empty Enclosures and Ex. Terminal Box CCC 2020322303002628 POK Assembly Enclosure Attestation of Conformity - Klippon POK Empty Enclosures - AoC DE PS2600 160308 001ISS03 RUC-DE.BE02.B.00173 14_20001 TAE00002R2 IECEXIBE13.0004X 16-AV4BO-246X 19.00109.272 IBEXU13ATEX1003U IBEXU13ATEX1004X IECEXIBE13.0003U INMETRO CERTIFICADO LMP 21.0021X KLIPPON POK EU Declaration of Conformity - Klippon POK Empty Enclosures Ex - DoC DE PS2600 160412 001ISS02 |
| Engineering Data | CAD data – STEP |
| Engineering Data | EPLAN, WSCAD |
| Tender specification | Klippon POK 122209 Ex_1306070000_DE Klippon POK 122209 Ex_1306070000_EN |
| User Documentation | Assembly guidelines - empty enclosures |
| Catalogues | Catalogues in PDF-format |
| Brochures | MB OVERV. PROCESS WD DE MB KLIPPON ENCL.TECN EN MB PROCESS EN FL KLIPPON POK EN FL SHIPBUILDING 2016 EN FL SHIPBUILDING 2016 EN |

KLIPPON POK 122209 EX

Weidmüller Interface GmbH & Co. KG
Klingenbergstraße 26
D-32758 Detmold
Germany

www.weidmueller.com

Drawings



KLIPPON POK 122209 EX

Weidmüller Interface GmbH & Co. KG
 Klingenbergstraße 26
 D-32758 Detmold
 Germany

www.weidmueller.com

Accessories**Depth 7.5 mm**

The system accessories for the Klippon® K enclosure series allows you to easily adapt the enclosures to meet the specific requirements of every application.

- DIN Rails TS 35 and TS15
- Mounting plates
- Hinges
- Wall-mounted holder

General ordering data

| Type | TS35X7.5 ST K51 | Version |
|------------|----------------------------|--|
| Order No. | 8000003907 | Rail, TS 35, TS 35 x 7.5, Width: 203 mm, without slot, Steel, galvanic |
| GTIN (EAN) | 4050118652642 | zinc plated and passivated |
| Qty. | 20 pc(s). | |

Earthing stud

Earthing bolts to exchange as a complete component in two versions – brass and stainless steel.

General ordering data

| Type | PEBZ M10 S4 SET | Version |
|------------|----------------------------|---|
| Order No. | 1283440000 | Klippon POK (polyester empty enclosure), Earthing stud, |
| GTIN (EAN) | 4050118073362 | Miscellaneous, Material: Stainless steel 1.4404 (316L) |
| Qty. | 1 pc(s). | |
| Type | PEBZ M6 BR SET | Version |
| Order No. | 1277250000 | Klippon POK (polyester empty enclosure), Earthing stud, |
| GTIN (EAN) | 4050118067149 | Miscellaneous, Material: Brass |
| Qty. | 1 pc(s). | |
| Type | PEBZ M10 BR SET | Version |
| Order No. | 1277220000 | Klippon POK (polyester empty enclosure), Earthing stud, |
| GTIN (EAN) | 4050118067019 | Miscellaneous, Material: Brass |
| Qty. | 1 pc(s). | |
| Type | PEBZ M6 S4 SET | Version |
| Order No. | 1283430000 | Klippon POK (polyester empty enclosure), Earthing stud, |
| GTIN (EAN) | 4050118073607 | Miscellaneous, Material: Stainless steel 1.4404 (316L) |
| Qty. | 1 pc(s). | |

KLIPPON POK 122209 EX

Weidmüller Interface GmbH & Co. KG

Klingenbergstraße 26

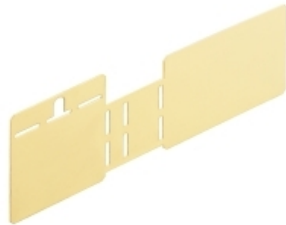
D-32758 Detmold

Germany

www.weidmueller.com

Accessories

Klippon® POK earthing plates



The Klippon® POK enclosure range is made from a high-quality glass fibre reinforced polyester and is ideal for applications and environments where corrosion resistance, impact resistance and a high IP protection class are a requirement.

Key features of the extensive product range:

- Available in 17 sizes
- Two standard finishes (colours): grey (similar to RAL 7001 for industrial use) and black (similar to RAL 9011 for harsh environments, Ex)
- Cover with stainless steel screws in cross-head / slotted design
- Moulded gasket made of silicone or chloroprene
- Fixing holes outside the sealed area to ensure high ingress protection of IP66
- Impact resistance up to 7 Joules
- Mounting directly in the enclosure or using an internal mounting plate
- Direct wall mounting possible using fixing holes or mounting feet
- Fastening thread to attach mounting rails and plates
- Up to E60 fire rating dependent on the configuration
- Weidmüller can manufacture and supply this enclosure to match customer specifications - fitted with all necessary terminals and cable glands.

General ordering data

| Type | KLIPPON COPL 122209 | Version |
|------------|----------------------------|---|
| Order No. | 1390980000 | Klippon POK (polyester empty enclosure), Earthing plate, Height: 57.5 |
| GTIN (EAN) | 4050118191080 | mm, Width: 275 mm, Material: Brass, polished, untreated |
| Qty. | 1 pc(s). | |

KLIPPON POK 122209 EX

Weidmüller Interface GmbH & Co. KG
 Klingenbergstraße 26
 D-32758 Detmold
 Germany

www.weidmueller.com

Accessories

Depth 15 mm



The Klippon® POK enclosure range is made from a high-quality glass fibre reinforced polyester and is ideal for applications and environments where corrosion resistance, impact resistance and a high IP protection class are a requirement.

Key features of the extensive product range:

- Available in 17 sizes
- Two standard finishes (colours): grey (similar to RAL 7001 for industrial use) and black (similar to RAL 9011 for harsh environments, Ex)
- Cover with stainless steel screws in cross-head / slotted design
- Moulded gasket made of silicone or chloroprene
- Fixing holes outside the sealed area to ensure high ingress protection of IP66
- Impact resistance up to 7 Joules
- Mounting directly in the enclosure or using an internal mounting plate
- Direct wall mounting possible using fixing holes or mounting feet
- Fastening thread to attach mounting rails and plates
- Up to E60 fire rating dependent on the configuration
- Weidmüller can manufacture and supply this enclosure to match customer specifications - fitted with all necessary terminals and cable glands.

General ordering data

| | | | |
|------------|----------------------------|---------|---|
| Type | TS35X15 ST POK 1222 | Version | |
| Order No. | 8000073209 | | Rail, TS 35, TS 35 x 15, Steel, galvanic zinc plated and passivated |
| GTIN (EAN) | 4064675356561 | | |
| Qty. | 20 pc(s). | | |

KLIPPON POK 122209 EX

Weidmüller Interface GmbH & Co. KG
 Klingenbergstraße 26
 D-32758 Detmold
 Germany

www.weidmueller.com

Accessories

Klippon® POK standard mounting plates



The Klippon® POK enclosure range is made from a high-quality glass fibre reinforced polyester and is ideal for applications and environments where corrosion resistance, impact resistance and a high IP protection class are a requirement.

Key features of the extensive product range:

- Available in 17 sizes
- Two standard finishes (colours): grey (similar to RAL 7001 for industrial use) and black (similar to RAL 9011 for harsh environments, Ex)
- Cover with stainless steel screws in cross-head / slotted design
- Moulded gasket made of silicone or chloroprene
- Fixing holes outside the sealed area to ensure high ingress protection of IP66
- Impact resistance up to 7 Joules
- Mounting directly in the enclosure or using an internal mounting plate
- Direct wall mounting possible using fixing holes or mounting feet
- Fastening thread to attach mounting rails and plates
- Up to E60 fire rating dependent on the configuration
- Weidmüller can manufacture and supply this enclosure to match customer specifications - fitted with all necessary terminals and cable glands.

General ordering data

| Type | POK MOPL 1222 | Version |
|------------|----------------------------|--|
| Order No. | 9510600000 | Klippon POK (polyester empty enclosure), Mounting plate, Height: |
| GTIN (EAN) | 4008190498238 | 107 mm, Width: 207 mm, Depth: 1.5 mm, Material: Sheet steel, |
| Qty. | 1 pc(s). | galvanized, Miscellaneous, silver |

KLIPPON POK 122209 EX

Weidmüller Interface GmbH & Co. KG
 Klingenbergstraße 26
 D-32758 Detmold
 Germany

www.weidmueller.com

Accessories

Klippon® POK mounting plates in combination with earthing plates



The Klippon® POK enclosure range is made from a high-quality glass fibre reinforced polyester and is ideal for applications and environments where corrosion resistance, impact resistance and a high IP protection class are a requirement.

Key features of the extensive product range:

- Available in 17 sizes
- Two standard finishes (colours): grey (similar to RAL 7001 for industrial use) and black (similar to RAL 9011 for harsh environments, Ex)
- Cover with stainless steel screws in cross-head / slotted design
- Moulded gasket made of silicone or chloroprene
- Fixing holes outside the sealed area to ensure high ingress protection of IP66
- Impact resistance up to 7 Joules
- Mounting directly in the enclosure or using an internal mounting plate
- Direct wall mounting possible using fixing holes or mounting feet
- Fastening thread to attach mounting rails and plates
- Up to E60 fire rating dependent on the configuration
- Weidmüller can manufacture and supply this enclosure to match customer specifications - fitted with all necessary terminals and cable glands.

General ordering data

| Type | POK MOPL 1222 MINI | Version |
|------------|----------------------------|--|
| Order No. | 1534350000 | Klippon POK (polyester empty enclosure), Mounting plate, Height: |
| GTIN (EAN) | 4050118337990 | 77 mm, Width: 207 mm, Depth: 1.5 mm, Material: Sheet steel, |
| Qty. | 1 pc(s). | galvanized, galvanized, silver |

KLIPPON POK 122209 EX

Weidmüller Interface GmbH & Co. KG

Klingenbergstraße 26

D-32758 Detmold

Germany

www.weidmueller.com

Accessories

Klippon® POK installation material



The Klippon® POK enclosure range is made from a high-quality glass fibre reinforced polyester and is ideal for applications and environments where corrosion resistance, impact resistance and a high IP protection class are a requirement.

Key features of the extensive product range:

- Available in 17 sizes
- Two standard finishes (colours): grey (similar to RAL 7001 for industrial use) and black (similar to RAL 9011 for harsh environments, Ex)
- Cover with stainless steel screws in cross-head / slotted design
- Moulded gasket made of silicone or chloroprene
- Fixing holes outside the sealed area to ensure high ingress protection of IP66
- Impact resistance up to 7 Joules
- Mounting directly in the enclosure or using an internal mounting plate
- Direct wall mounting possible using fixing holes or mounting feet
- Fastening thread to attach mounting rails and plates
- Up to E60 fire rating dependent on the configuration
- Weidmüller can manufacture and supply this enclosure to match customer specifications - fitted with all necessary terminals and cable glands.

General ordering data

| | | |
|------------|----------------------------|---|
| Type | SD FIXING SET POK | Version |
| Order No. | 1463490000 | Klippon POK (polyester empty enclosure), Identification plate fixing set, Material: Stainless steel 1.4305 (303) |
| GTIN (EAN) | 4050118299878 | |
| Qty. | 1 pc(s). | |
| Type | TPSD FIXING SET POK | Version |
| Order No. | 1435840000 | Klippon POK (polyester empty enclosure), Type plate fixings set, Material: Stainless steel, rust-proof, untreated |
| GTIN (EAN) | 4050118240771 | |
| Qty. | 1 pc(s). | |

KLIPPON POK 122209 EX

Weidmüller Interface GmbH & Co. KG
 Klingenbergstraße 26
 D-32758 Detmold
 Germany

www.weidmueller.com

Accessories

Klippon® POK mounting feet



The Klippon® POK enclosure range is made from a high-quality glass fibre reinforced polyester and is ideal for applications and environments where corrosion resistance, impact resistance and a high IP protection class are a requirement.

Key features of the extensive product range:

- Available in 17 sizes
- Two standard finishes (colours): grey (similar to RAL 7001 for industrial use) and black (similar to RAL 9011 for harsh environments, Ex)
- Cover with stainless steel screws in cross-head / slotted design
- Moulded gasket made of silicone or chloroprene
- Fixing holes outside the sealed area to ensure high ingress protection of IP66
- Impact resistance up to 7 Joules
- Mounting directly in the enclosure or using an internal mounting plate
- Direct wall mounting possible using fixing holes or mounting feet
- Fastening thread to attach mounting rails and plates
- Up to E60 fire rating dependent on the configuration
- Weidmüller can manufacture and supply this enclosure to match customer specifications - fitted with all necessary terminals and cable glands.

General ordering data

| Type | MF POK BIG | Version |
|------------|----------------------------|--|
| Order No. | 9510910000 | Klippon POK (polyester empty enclosure), Mounting foot, Fixing lugs, |
| GTIN (EAN) | 4032248009756 | Material: Stainless steel 1.4301, Miscellaneous |
| Qty. | 1 pc(s). | |

Spacer



Integrate, expand and customise: The ideal expansion for every application

The consistent structure of accessories for the Klippon® EBi enclosure range means that you can easily adapt the enclosure to the specific requirements of each application.

General ordering data

| Type | SP M6 20 MSZN | Version |
|------------|----------------------------|--|
| Order No. | 3896200000 | Klippon EBi (Essential Box industrial), Spacer, Height: 20 mm, |
| GTIN (EAN) | 4008190850234 | Material: Steel, silver |
| Qty. | 2 pc(s). | |

KLIPPON POK 122209 EX

Weidmüller Interface GmbH & Co. KG
 Klingenbergstraße 26
 D-32758 Detmold
 Germany

www.weidmueller.com

Accessories

| | | |
|------------|----------------------------|--|
| Type | SP M6 15 MSZN | Version |
| Order No. | 3896100000 | Klippon EBi (Essential Box industrial), Spacer, Height: 15 mm, |
| GTIN (EAN) | 4008190857851 | Material: Steel, silver |
| Qty. | 1 pc(s). | |
| Type | SP M6 30 MSZN | Version |
| Order No. | 3896300000 | Klippon EBi (Essential Box industrial), Spacer, Height: 30 mm, |
| GTIN (EAN) | 4008190850241 | Material: Steel, silver |
| Qty. | 2 pc(s). | |

Spacer



Integrate, expand and customise: The ideal expansion for every application

The consistent structure of accessories for the new Klippon® TB enclosure range means that you can easily adapt the enclosure to the specific requirements of each application.

Spacer

Stainless steel spacers in four lengths to increase the distance between the mounting rails or DIN rails and the rear wall of the enclosure.

General ordering data

| | | |
|------------|----------------------------|---|
| Type | SP M6 15 S2 | Version |
| Order No. | 0935120000 | Klippon TB (Terminal Box), Spacer, Material: Stainless steel 1.4305 |
| GTIN (EAN) | 4032248699056 | (303) |
| Qty. | 4 pc(s). | |
| Type | SP M6 20 S2 | Version |
| Order No. | 0935130000 | Klippon TB (Terminal Box), Spacer, Material: Stainless steel 1.4305 |
| GTIN (EAN) | 4032248699001 | (303) |
| Qty. | 4 pc(s). | |
| Type | SP M6 10 S2 | Version |
| Order No. | 0935110000 | Klippon TB (Terminal Box), Spacer, Material: Stainless steel 1.4305 |
| GTIN (EAN) | 4032248699049 | (303) |
| Qty. | 4 pc(s). | |
| Type | SP M6 30 S2 | Version |
| Order No. | 0935140000 | Klippon TB (Terminal Box), Spacer, Material: Stainless steel 1.4305 |
| GTIN (EAN) | 4032248699117 | (303) |
| Qty. | 4 pc(s). | |

KLIPPON POK 122209 EX

Weidmüller Interface GmbH & Co. KG
Klingenbergstraße 26
D-32758 Detmold
Germany

www.weidmueller.com

Accessories**Screws**

Depending on the terminal block or also accessories, we offer different types of screws as additional items or also spare parts.

General ordering data

| | | |
|------------|----------------------------|---|
| Type | FKSC M5X8 D9/SW2.5 | Version |
| Order No. | 0295900000 | SAK Series, Allen hex screw, Screws, Number of poles: 1 |
| GTIN (EAN) | 4008190133337 | |
| Qty. | 50 pc(s). | |

Mouser Electronics

Authorized Distributor

Click to View Pricing, Inventory, Delivery & Lifecycle Information:

[Weidmuller:](#)

[1306070000](#)