

KLIPPON POK 080806 EX

Weidmüller Interface GmbH & Co. KG
 Klingenbergstraße 26
 D-32758 Detmold
 Germany

www.weidmueller.com

Similar to illustration



The Klippon® POK enclosure range is made from a high-quality glass fibre reinforced polyester and is ideal for applications and environments where corrosion resistance, impact resistance and a high IP protection class are a requirement.

Key features of the extensive product range:

- Available in 17 sizes
- Two standard finishes (colours): grey (similar to RAL 7001 for industrial use) and black (similar to RAL 9011 for harsh environments, Ex)
- Cover with stainless steel screws in cross-head / slotted design
- Moulded gasket made of silicone or chloroprene
- Fixing holes outside the sealed area to ensure high ingress protection of IP66
- Impact resistance up to 7 Joules
- Mounting directly in the enclosure or using an internal mounting plate
- Direct wall mounting possible using fixing holes or mounting feet
- Fastening thread to attach mounting rails and plates
- Up to E60 fire rating dependent on the configuration
- Weidmüller can manufacture and supply this enclosure to match customer specifications - fitted with all necessary terminals and cable glands.

General ordering data

Version	Klippon POK (polyester empty enclosure), Empty enclosure, Height: 75 mm, Width: 80 mm, Depth: 55 mm, Material: Glass fibre-reinforced polyester, untreated, polished, black
Order No.	1306000000
Type	KLIPPON POK 080806 EX
GTIN (EAN)	4050118108439
Qty.	1 pc(s).
Required tool	9008540000

KLIPPON POK 080806 EX

Weidmüller Interface GmbH & Co. KG

Klingenbergstraße 26

D-32758 Detmold

Germany

www.weidmueller.com

Technical data

Dimensions and weights

Depth	55 mm	Depth (inches)	2.165 inch
Height	75 mm	Height (inches)	2.953 inch
Height of lowest version	55 mm	Width	80 mm
Width (inches)	3.15 inch	Mounting dimension - height	45 mm
Mounting dimension - width	68 mm	Net weight	289 g

Temperatures

Operating temperature	-55 °C...100 °C
-----------------------	-----------------

Cable glands, left

M12	1	M16	1
M20	1		

Cable glands, right

M12	1	M16	1
M20	1		

Cable glands, top/bottom

M12	4	M16	2
M20	1	M25	1

Certificate numbers enclosure

Approval conditions	ATEX, DNV, EAC, IECEX, LR, RMRS, UL AEx Class Div., UL AEx Class Zone, cULus, KC, CCC	Attestation of Conformity No. (AoC)	DE PS2600 160308 001ISS01
Certificate No. (ATEX)	IBEXU13ATEX1003U	Certificate No. (DNVGL)	TAE00002R2
Certificate No. (EAC)	C-DE.HB07.B.00089-20	Certificate No. (GERMLLOYD)	TAE00002R2
Certificate No. (IECEX)	IECEXIBE13.0003U	Certificate No. (LLOYDSREG)	14_20001
Certificate No. (MARITREG)	19.00109.272	Certificate no. (cULus)	E256877
Certificate no. Terminal Box (AEx)	E223792	Certificate no. Terminal Box (ATEX)	IBEXU13ATEX1004 X
Certificate no. Terminal Box (EAC)	C-DE.HB07.B.00089/20 Ex Terminal Box; C-DE.A454.B.00251/19 Ind. Terminal Box	Certificate no. Terminal Box (IECEX)	IECEX IBE 13.0004X
Certificate no. Terminal Box (INMETRO)	LMP 21.0021X	Certificate no. Terminal Box (KOSHA)	16-AV4BO-0246X
Certificate no. empty enclosure (AEx)	E223792	Certificate no. empty enclosure (ATEX)	IBEXU13ATEX1003 U
Certificate no. empty enclosure (IECEX)	IECEX IBE 13.0003U	Certificate no., empty enclosure (EAC)	C-DE.HB07.B.00089/20
Declaration of Conformity No. (DoC LVD)	DE_PS2600_160412_001ISS01		

KLIPPON POK 080806 EX

Weidmüller Interface GmbH & Co. KG

Klingenbergstraße 26

D-32758 Detmold

Germany

www.weidmueller.com

Technical data

General information

Access opening: height	66.42 mm	Access opening: width	71.42 mm
Areas of use	Explosive risk zone, Harbour facilities, Machine construction, Process industry, Transportation	Enclosure attachment	Installation through the housing rear wall, Fixing lugs
Flange plate	No	Halogen	No
Impact resistance	7 J ATEX version	Lid	Yes
Lid attachment	Slotted/Phillips screws	Material	Glass fibre-reinforced polyester
Material thickness of cover	3.6 mm	Material thickness of enclosure	4.29 mm
Number of lid screws	4	Operating temperature, max.	100 °C
Operating temperature, min.	-55 °C	Protection class (UL)	Type 4, Type 4x
Protection degree	IP66	Seal material	Silicone
Standards	DIN EN 62208 - Empty enclosure standard, IEC 60079-0, IEC 60079-7, IEC 60079-31	Surface finish	untreated, polished
Torque for lid screws	2.5 Nm	UL 94 flammability rating	V-0

horizontal assembly

WDU 2,5 / ZDU 2,5 / IDU 2,5	1x5	WDU 4 / ZDU 4	1x4
-----------------------------	-----	---------------	-----

vertical assembly

WDU 2,5 / ZDU 2,5 / IDU 2,5	1x1*	WDU 4 / ZDU 4	1x1*
-----------------------------	------	---------------	------

Classifications

ETIM 6.0	EC002503	ETIM 7.0	EC002503
ETIM 8.0	EC002503	ECLASS 9.0	27-18-05-02
ECLASS 9.1	27-18-05-02	ECLASS 10.0	27-18-05-02
ECLASS 11.0	27-18-05-02		

Approvals

Approvals



ROHS	Conform
UL File Number Search	E256877

KLIPPON POK 080806 EX

Weidmüller Interface GmbH & Co. KG

Klingenbergstraße 26

D-32758 Detmold

Germany

www.weidmueller.com

Technical data

Downloads

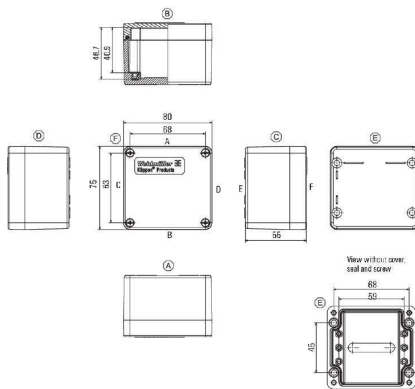
Approval/Certificate/Document of Conformity	C-DE.HB07.B.00089-Empty Enclosures and Ex. Terminal Box CCC 2020322303002628 POK Assembly Enclosure Attestation of Conformity - Klippon POK Empty Enclosures - AoC DE PS2600 160308 001ISS03 RUC-DE.BE02.B.00173 14_20001 TAE00002R2 IECEXIBE13.0004X 16-AV4BO-246X 19.00109.272 IBEXU13ATEX1003U IBEXU13ATEX1004X IECEXIBE13.0003U INMETRO CERTIFICADO LMP 21.0021X KLIPPON POK EU Declaration of Conformity - Klippon POK Empty Enclosures Ex - DoC DE PS2600 160412 001ISS02
Engineering Data	CAD data – STEP
Engineering Data	EPLAN, WSCAD
Tender specification	Klippon POK 080806 Ex_1306000000_DE Klippon POK 080806 Ex_1306000000_EN
User Documentation	Assembly guidelines - empty enclosures
Catalogues	Catalogues in PDF-format
Brochures	MB OVERV. PROCESS WD DE MB KLIPPON ENCL.TECN EN MB PROCESS EN FL KLIPPON POK EN FL SHIPBUILDING 2016 EN FL SHIPBUILDING 2016 EN

KLIPPON POK 080806 EX

Weidmüller Interface GmbH & Co. KG
Klingenbergstraße 26
D-32758 Detmold
Germany

Drawings

www.weidmueller.com



KLIPPON POK 080806 EX

Weidmüller Interface GmbH & Co. KG
 Klingenbergstraße 26
 D-32758 Detmold
 Germany

www.weidmueller.com

Accessories**Earthing stud**

Earthing bolts to exchange as a complete component in two versions – brass and stainless steel.

**General ordering data**

Type	PEBZ M10 S4 SET	Version
Order No.	1283440000	Klippon POK (polyester empty enclosure), Earthing stud,
GTIN (EAN)	4050118073362	Miscellaneous, Material: Stainless steel 1.4404 (316L)
Qty.	1 pc(s).	
Type	PEBZ M6 BR SET	Version
Order No.	1277250000	Klippon POK (polyester empty enclosure), Earthing stud,
GTIN (EAN)	4050118067149	Miscellaneous, Material: Brass
Qty.	1 pc(s).	
Type	PEBZ M10 BR SET	Version
Order No.	1277220000	Klippon POK (polyester empty enclosure), Earthing stud,
GTIN (EAN)	4050118067019	Miscellaneous, Material: Brass
Qty.	1 pc(s).	
Type	PEBZ M6 S4 SET	Version
Order No.	1283430000	Klippon POK (polyester empty enclosure), Earthing stud,
GTIN (EAN)	4050118073607	Miscellaneous, Material: Stainless steel 1.4404 (316L)
Qty.	1 pc(s).	

KLIPPON POK 080806 EX

Weidmüller Interface GmbH & Co. KG

Klingenbergstraße 26

D-32758 Detmold

Germany

www.weidmueller.com

Accessories

Klippon® POK earthing plates



The Klippon® POK enclosure range is made from a high-quality glass fibre reinforced polyester and is ideal for applications and environments where corrosion resistance, impact resistance and a high IP protection class are a requirement.

Key features of the extensive product range:

- Available in 17 sizes
- Two standard finishes (colours): grey (similar to RAL 7001 for industrial use) and black (similar to RAL 9011 for harsh environments, Ex)
- Cover with stainless steel screws in cross-head / slotted design
- Moulded gasket made of silicone or chloroprene
- Fixing holes outside the sealed area to ensure high ingress protection of IP66
- Impact resistance up to 7 Joules
- Mounting directly in the enclosure or using an internal mounting plate
- Direct wall mounting possible using fixing holes or mounting feet
- Fastening thread to attach mounting rails and plates
- Up to E60 fire rating dependent on the configuration
- Weidmüller can manufacture and supply this enclosure to match customer specifications - fitted with all necessary terminals and cable glands.

General ordering data

Type	KLIPPON COPL 080806	Version
Order No.	1390910000	Klippon POK (polyester empty enclosure), Earthing plate, Height: 32.5
GTIN (EAN)	4050118191073	mm, Width: 101 mm, Material: Brass, polished, untreated
Qty.	1 pc(s).	

KLIPPON POK 080806 EX

Weidmüller Interface GmbH & Co. KG

Klingenbergstraße 26

D-32758 Detmold

Germany

www.weidmueller.com

Accessories

TS 15



The Klippon® POK enclosure range is made from a high-quality glass fibre reinforced polyester and is ideal for applications and environments where corrosion resistance, impact resistance and a high IP protection class are a requirement.

Key features of the extensive product range:

- Available in 17 sizes
- Two standard finishes (colours): grey (similar to RAL 7001 for industrial use) and black (similar to RAL 9011 for harsh environments, Ex)
- Cover with stainless steel screws in cross-head / slotted design
- Moulded gasket made of silicone or chloroprene
- Fixing holes outside the sealed area to ensure high ingress protection of IP66
- Impact resistance up to 7 Joules
- Mounting directly in the enclosure or using an internal mounting plate
- Direct wall mounting possible using fixing holes or mounting feet
- Fastening thread to attach mounting rails and plates
- Up to E60 fire rating dependent on the configuration
-
- Weidmüller can manufacture and supply this enclosure to match customer specifications - fitted with all necessary terminals and cable glands.

General ordering data

Type	TS15X5 ST POK 0808	Version	
Order No.	8000003889		Rail, TS 15, Width: 68 mm, without slot, Steel, galvanic zinc plated
GTIN (EAN)	4050118652543		and passivated
Qty.	20 pc(s).		

KLIPPON POK 080806 EX

Weidmüller Interface GmbH & Co. KG

Klingenbergstraße 26

D-32758 Detmold

Germany

www.weidmueller.com

Accessories

Klippon® POK standard mounting plates



The Klippon® POK enclosure range is made from a high-quality glass fibre reinforced polyester and is ideal for applications and environments where corrosion resistance, impact resistance and a high IP protection class are a requirement.

Key features of the extensive product range:

- Available in 17 sizes
- Two standard finishes (colours): grey (similar to RAL 7001 for industrial use) and black (similar to RAL 9011 for harsh environments, Ex)
- Cover with stainless steel screws in cross-head / slotted design
- Moulded gasket made of silicone or chloroprene
- Fixing holes outside the sealed area to ensure high ingress protection of IP66
- Impact resistance up to 7 Joules
- Mounting directly in the enclosure or using an internal mounting plate
- Direct wall mounting possible using fixing holes or mounting feet
- Fastening thread to attach mounting rails and plates
- Up to E60 fire rating dependent on the configuration
-
- Weidmüller can manufacture and supply this enclosure to match customer specifications - fitted with all necessary terminals and cable glands.

General ordering data

Type	POK MOPL 0808	Version
Order No.	9510570000	Klippon POK (polyester empty enclosure), Mounting plate, Height: 64
GTIN (EAN)	4032248415274	mm, Width: 69 mm, Depth: 1.5 mm, Material: Sheet steel, galvanized,
Qty.	1 pc(s).	galvanized, silver

KLIPPON POK 080806 EX

Weidmüller Interface GmbH & Co. KG
 Klingenbergstraße 26
 D-32758 Detmold
 Germany

www.weidmueller.com

Accessories

Klippon® POK mounting plates in combination with earthing plates



The Klippon® POK enclosure range is made from a high-quality glass fibre reinforced polyester and is ideal for applications and environments where corrosion resistance, impact resistance and a high IP protection class are a requirement.

Key features of the extensive product range:

- Available in 17 sizes
- Two standard finishes (colours): grey (similar to RAL 7001 for industrial use) and black (similar to RAL 9011 for harsh environments, Ex)
- Cover with stainless steel screws in cross-head / slotted design
- Moulded gasket made of silicone or chloroprene
- Fixing holes outside the sealed area to ensure high ingress protection of IP66
- Impact resistance up to 7 Joules
- Mounting directly in the enclosure or using an internal mounting plate
- Direct wall mounting possible using fixing holes or mounting feet
- Fastening thread to attach mounting rails and plates
- Up to E60 fire rating dependent on the configuration
- Weidmüller can manufacture and supply this enclosure to match customer specifications - fitted with all necessary terminals and cable glands.

General ordering data

Type	POK MOPL 0808 MINI	Version
Order No.	1534280000	Klippon POK (polyester empty enclosure), Mounting plate, Height: 68
GTIN (EAN)	4050118338058	mm, Width: 34 mm, Depth: 1.5 mm, Material: Sheet steel, galvanized,
Qty.	1 pc(s).	galvanized, silver

KLIPPON POK 080806 EX**Weidmüller Interface GmbH & Co. KG**

Klingenbergstraße 26

D-32758 Detmold

Germany

www.weidmueller.com

Accessories**Klippon® POK installation material**

The Klippon® POK enclosure range is made from a high-quality glass fibre reinforced polyester and is ideal for applications and environments where corrosion resistance, impact resistance and a high IP protection class are a requirement.

Key features of the extensive product range:

- Available in 17 sizes
- Two standard finishes (colours): grey (similar to RAL 7001 for industrial use) and black (similar to RAL 9011 for harsh environments, Ex)
- Cover with stainless steel screws in cross-head / slotted design
- Moulded gasket made of silicone or chloroprene
- Fixing holes outside the sealed area to ensure high ingress protection of IP66
- Impact resistance up to 7 Joules
- Mounting directly in the enclosure or using an internal mounting plate
- Direct wall mounting possible using fixing holes or mounting feet
- Fastening thread to attach mounting rails and plates
- Up to E60 fire rating dependent on the configuration
- Weidmüller can manufacture and supply this enclosure to match customer specifications - fitted with all necessary terminals and cable glands.

General ordering data

Type	SD FIXING SET POK	Version
Order No.	1463490000	Klippon POK (polyester empty enclosure), Identification plate fixing set, Material: Stainless steel 1.4305 (303)
GTIN (EAN)	4050118299878	
Qty.	1 pc(s).	
Type	TPSD FIXING SET POK	Version
Order No.	1435840000	Klippon POK (polyester empty enclosure), Type plate fixings set, Material: Stainless steel, rust-proof, untreated
GTIN (EAN)	4050118240771	
Qty.	1 pc(s).	

KLIPPON POK 080806 EX

Weidmüller Interface GmbH & Co. KG
 Klingenbergstraße 26
 D-32758 Detmold
 Germany

www.weidmueller.com

Accessories
Klippon® POK mounting feet


The Klippon® POK enclosure range is made from a high-quality glass fibre reinforced polyester and is ideal for applications and environments where corrosion resistance, impact resistance and a high IP protection class are a requirement.

Key features of the extensive product range:

- Available in 17 sizes
- Two standard finishes (colours): grey (similar to RAL 7001 for industrial use) and black (similar to RAL 9011 for harsh environments, Ex)
- Cover with stainless steel screws in cross-head / slotted design
- Moulded gasket made of silicone or chloroprene
- Fixing holes outside the sealed area to ensure high ingress protection of IP66
- Impact resistance up to 7 Joules
- Mounting directly in the enclosure or using an internal mounting plate
- Direct wall mounting possible using fixing holes or mounting feet
- Fastening thread to attach mounting rails and plates
- Up to E60 fire rating dependent on the configuration
- Weidmüller can manufacture and supply this enclosure to match customer specifications - fitted with all necessary terminals and cable glands.

General ordering data

Type	MF POK SMALL	Version
Order No.	9510900000	Klippon POK (polyester empty enclosure), Mounting foot, Fixing lugs,
GTIN (EAN)	4032248009749	Material: Stainless steel 1.4301, Miscellaneous
Qty.	1 pc(s).	

Mouser Electronics

Authorized Distributor

Click to View Pricing, Inventory, Delivery & Lifecycle Information:

[Weidmuller:](#)

[1306000000](#)