

SAIE-7/8S-3-0.2U-H**Weidmüller Interface GmbH & Co. KG**

Klingenbergstraße 26

D-32758 Detmold

Germany

www.weidmueller.com



Various build-in connectors are required for the connections on the device side of the sensor/actuator cabling. These are available in the versions M12, M8 and M5.

General ordering data

Version	Built-in plugs, 7/8", 7/8", Number of poles: 3, 0.2 m
Order No.	1292350000
Type	SAIE-7/8S-3-0.2U-H
GTIN (EAN)	4050118088366
Qty.	1 pc(s).

Creation date January 22, 2022 11:07:34 AM CET

Catalogue status 14.01.2022 / We reserve the right to make technical changes.

SAIE-7/8S-3-0.2U-H

Weidmüller Interface GmbH & Co. KG

Klingenbergstraße 26

D-32758 Detmold

Germany

www.weidmueller.com

Technical data

Dimensions and weights

Net weight 52 g

Environmental Product Compliance

REACH SVHC Lead 7439-92-1

Technical data customisable plug-in connectors

Cable glands	7/8"	Coding	none
Contact surface	Gold-plated	Housing main material	Zinc diecast, nickel-plated
Number of poles	3	Plugging cycles	≥ 100
Protection degree	IP67, when screwed in	Rated current	10 A
Rated current	8 A (4- and 5-pole), 10 A (3-pole)	Rated voltage	300 V
Rated voltage	300 V	Temperature range of housing	-25...+85 °C
Type of connection	Pin		

General data

Cable glands	7/8"		
Cable length	0.2 m		
Coding	none		
Conductor O.D.	-		
Connection thread	7/8"		
Contact material	CuZn		
Contact surface	Gold-plated		
Core cross-section	0.75 mm ²		
Housing main material	Zinc diecast, nickel-plated		
Material	PUR/ PUR		
Mounting thread	M26 x 1.5		
Mounting torque	min.	11.8 Nm	
	max.	12 Nm	
Mounting torque range	11.8 ... 12 Nm		
Number of poles	3		
Plugging cycles	≥ 100		
Protection degree	IP67, when screwed in		
Rated current	10 A		
Rated current	8 A (4- and 5-pole), 10 A (3-pole)		
Rated voltage	300 V		
Rated voltage	300 V		
Strand / cable length	0.2 m		
Temperature range of housing	-25...+85 °C		
Tightening torque	1.5 Nm		
Type of connection	Pin		

Classifications

ETIM 6.0	EC002635	ETIM 7.0	EC003570
ETIM 8.0	EC003570	ECLASS 9.0	27-44-01-03
ECLASS 9.1	27-44-01-03	ECLASS 10.0	27-44-01-03
ECLASS 11.0	27-44-01-03		

Data sheet**SAIE-7/8S-3-0.2U-H****Weidmüller Interface GmbH & Co. KG**
Klingenbergstraße 26
D-32758 Detmold
Germany

www.weidmueller.com

Technical data**Approvals**

Approvals



ROHS	Conform
UL File Number Search	E307231

Downloads

Catalogues	Catalogues in PDF-format
Brochures	FL FIELDWIRING EN FL FIELDWIRING EN

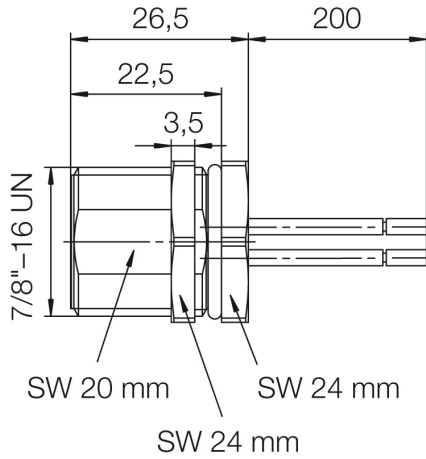
Data sheet

SAIE-7/8S-3-0.2U-H

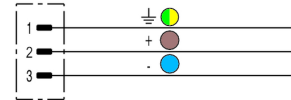
Weidmüller Interface GmbH & Co. KG
 Klingenbergstraße 26
 D-32758 Detmold
 Germany

www.weidmueller.com

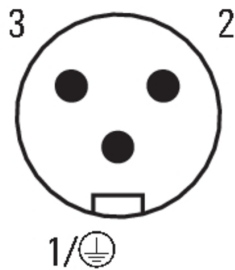
Drawings



Wiring diagram



Pole scheme



Mouser Electronics

Authorized Distributor

Click to View Pricing, Inventory, Delivery & Lifecycle Information:

[Weidmuller:](#)

[1292350000](#)