

IE-C5DS4UG0015MBSXXX-E**Weidmüller Interface GmbH & Co. KG**

Klingenbergstraße 26

D-32758 Detmold

Germany

www.weidmueller.com



Assembled IE cables, PROFINET, Cat. 5, PUR, green

General ordering data

| | |
|------------|--|
| Version | System cable, M12 D-code - flange, Open, Cat.5 (ISO/IEC 11801) / Cat.5e (TIA T568-B), PUR, 1.5 m |
| Order No. | 1234770015 |
| Type | IE-C5DS4UG0015MBSXXX-E |
| GTIN (EAN) | 4050118019346 |
| Qty. | 1 pc(s). |

Creation date January 22, 2022 3:16:13 AM CET

Catalogue status 14.01.2022 / We reserve the right to make technical changes.

IE-C5DS4UG0015MBSXXX-E**Weidmüller Interface GmbH & Co. KG**

Klingenbergstraße 26

D-32758 Detmold

Germany

www.weidmueller.com

Technical data**Dimensions and weights**

| | | | |
|------------|-------|-----------------|-------------|
| Length | 1.5 m | Length (inches) | 59.055 inch |
| Net weight | 109 g | | |

Temperatures

| | | | |
|--------------------------|----------------|-----------------------|----------------|
| Storage temperature | -50 °C...70 °C | Operating temperature | -40 °C...70 °C |
| Installation temperature | -20 °C...60 °C | | |

Environmental Product Compliance

| | |
|------------|----------------|
| REACH SVHC | Lead 7439-92-1 |
|------------|----------------|

Cable structure

| | | | |
|------------------|-----------------------------------|--------------------------|----------------------|
| Cross-section | 4*AWG 22/7 - 0.36 mm ² | Insulation cross-section | 1.5 mm |
| Material sheath | PUR | Sheath diameter, max. | 6.7 mm |
| Sheathing colour | green (RAL 6018) | Shielding | 360°; shield contact |

Electrical properties of cable

| | |
|----------|--|
| Category | Cat.5 (ISO/IEC 11801) / Cat.5e (TIA T568-B) |
|----------|--|

Mechanical and material properties of cable

| | | | |
|--------------------------------|--------------------|---------------------------------|---------------------|
| Min. bending radius, once only | 5 x cable diameter | Min. bending radius, repetitive | 15 x cable diameter |
|--------------------------------|--------------------|---------------------------------|---------------------|

Plug, left

| | |
|----------------|---------------------|
| Connector left | M12 D-code – flange |
|----------------|---------------------|

Plug, right

| | |
|-----------------|------|
| Connector right | Open |
|-----------------|------|

plug

| | | | |
|----------------|---------------------|-----------------|------|
| Connector left | M12 D-code – flange | Connector right | Open |
|----------------|---------------------|-----------------|------|

Classifications

| | | | |
|-------------|-------------|-------------|-------------|
| ETIM 6.0 | EC002599 | ETIM 7.0 | EC002599 |
| ETIM 8.0 | EC002599 | ECLASS 9.0 | 27-06-03-08 |
| ECLASS 9.1 | 27-06-03-08 | ECLASS 10.0 | 27-06-03-08 |
| ECLASS 11.0 | 27-06-03-08 | | |

Approvals

| | |
|------|---------|
| ROHS | Conform |
|------|---------|

IE-C5DS4UG0015MBSXXX-E**Weidmüller Interface GmbH & Co. KG**
Klingenbergstraße 26
D-32758 Detmold
Germany

www.weidmueller.com

Downloads

| | |
|---|---|
| Approval/Certificate/Document of Conformity | PROFINET Manufacturer's Declaration |
| Engineering Data | CAD data – STEP |
| User Documentation | MAN IE GUIDE DE MAN IE GUIDE EN |
| Catalogues | Catalogues in PDF-format |
| Brochures | FL FIELDWIRING EN PI PROFINET CABLING EN PI PROFINET CABLING EN |

IE-C5DS4UG0015MBSXXX-E

Weidmüller Interface GmbH & Co. KG
 Klingenbergstraße 26
 D-32758 Detmold
 Germany

www.weidmueller.com

Drawings

Wiring diagram

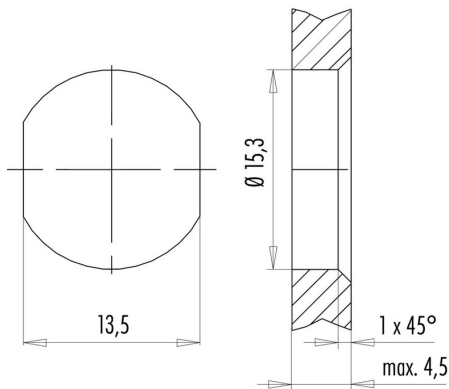
| | |
|--------------|-----|
| | M12 |
| _____ yellow | 1 |
| _____ white | 2 |
| _____ orange | 3 |
| _____ blue | 4 |

Dimensioned drawing



Hexagon nut enclosed loosely

Dimensioned drawing



with through hole

IE-C5DS4UG0015MBSXXX-E

Weidmüller Interface GmbH & Co. KG

Klingenbergstraße 26

D-32758 Detmold

Germany

www.weidmueller.com

Accessories

Blank



TM-I is an acknowledged and accredited marker type for traffic engineering applications. There are various different tag lengths available for individual labelling with long character strings. Easy handling of separation and installation thanks to the project marker field. Pre-attachment of sleeves and retrofitting of tags offer excellent versatility

The special contour of TM-I allows easy assembly and secures firm positioning. They are compatible with a number of commercially available sleeves. Thanks to the MultiCard format, the tags can be printed quickly and conveniently with the PrintJet CONNECT, plotter or the STI pen.

- Easy handling of separation and installation thanks to the project marker field.
- Acknowledged and accredited marker for traffic engineering applications
- Pre-attachment of sleeves and retrofitting of tags offer excellent versatility
- Not suited for labelling with P-Ink or STI pen in connection with CLI T sleeves

For custom printing: Please send us a file of our labeling software M-Print PRO or M-Print PRO Online (without installation) for your labeling specifications.

General ordering data

| Type | TM-I 12 MC NE WS | Version |
|------------|----------------------------|--|
| Order No. | 1718411044 | TM-I, Insert markers, 12 x 4 mm, white |
| GTIN (EAN) | 4008190348977 | |
| Qty. | 320 pc(s). | |

Tools

Sheathing stripper for PVC cables



General ordering data

| Type | AM 12 | Version |
|------------|----------------------------|----------------------------|
| Order No. | 9030060000 | Tools, Sheathing strippers |
| GTIN (EAN) | 4008190337827 | |
| Qty. | 1 pc(s). | |

IE-C5DS4UG0015MBSXXX-E

Weidmüller Interface GmbH & Co. KG
 Klingenbergstraße 26
 D-32758 Detmold
 Germany

www.weidmueller.com

Accessories

Blank



TM-I is an acknowledged and accredited marker type for traffic engineering applications. There are various different tag lengths available for individual labelling with long character strings. Easy handling of separation and installation thanks to the project marker field. Pre-attachment of sleeves and retrofitting of tags offer excellent versatility

The special contour of TM-I allows easy assembly and secures firm positioning. They are compatible with a number of commercially available sleeves. Thanks to the MultiCard format, the tags can be printed quickly and conveniently with the PrintJet CONNECT, plotter or the STI pen.

- Easy handling of separation and installation thanks to the project marker field.
- Acknowledged and accredited marker for traffic engineering applications
- Pre-attachment of sleeves and retrofitting of tags offer excellent versatility
- Not suited for labelling with P-Ink or STI pen in connection with CLI T sleeves

For custom printing: Please send us a file of our labeling software M-Print PRO or M-Print PRO Online (without installation) for your labeling specifications.

General ordering data

| Type | TM-I 18 MC NE WS | Version |
|------------|----------------------------|--|
| Order No. | 1718431044 | TM-I, Insert markers, 18 x 4 mm, white |
| GTIN (EAN) | 4008190349011 | |
| Qty. | 320 pc(s). | |

Tools



The CST with blue blade cartridge produces the best stripping results. The blue double-stage blade cartridge is particularly suited for Ethernet cables. It saves time and also ensures optimal stripping results.

General ordering data

| Type | IE-CST | Version |
|------------|----------------------------|----------------------------|
| Order No. | 9204350000 | Tools, Sheathing strippers |
| GTIN (EAN) | 4032248653072 | |
| Qty. | 1 pc(s). | |

Mouser Electronics

Authorized Distributor

Click to View Pricing, Inventory, Delivery & Lifecycle Information:

[Weidmuller:](#)

[1234770015](#)