

**IE-C5DS4UG0005MBSXXX-E****Weidmüller Interface GmbH & Co. KG**

Klingenbergstraße 26

D-32758 Detmold

Germany

www.weidmueller.com



Assembled IE cables, PROFINET, Cat. 5, PUR, green

**General ordering data**

Version	System cable, M12 D-code - flange, Open, Cat.5 (ISO/IEC 11801) / Cat.5e (TIA T568-B), PUR, 0.5 m
Order No.	<a href="#">1234770005</a>
Type	IE-C5DS4UG0005MBSXXX-E
GTIN (EAN)	4050118019445
Qty.	1 pc(s).

Creation date January 22, 2022 3:25:49 AM CET

Catalogue status 14.01.2022 / We reserve the right to make technical changes.

**IE-C5DS4UG0005MBSXXX-E****Weidmüller Interface GmbH & Co. KG**

Klingenbergstraße 26

D-32758 Detmold

Germany

www.weidmueller.com

**Technical data****Dimensions and weights**

Length	0.5 m	Length (inches)	19.685 inch
Net weight	49 g		

**Temperatures**

Storage temperature	-50 °C...70 °C	Operating temperature	-40 °C...70 °C
Installation temperature	-20 °C...60 °C		

**Environmental Product Compliance**

REACH SVHC	Lead 7439-92-1
------------	----------------

**Cable structure**

Cross-section	4*AWG 22/7 - 0.36 mm <sup>2</sup>	Insulation cross-section	1.5 mm
Material sheath	PUR	Sheath diameter, max.	6.7 mm
Sheathing colour	green (RAL 6018)	Shielding	360°; shield contact

**Electrical properties of cable**

Category	Cat.5 (ISO/IEC 11801) / Cat.5e (TIA T568-B)
----------	--

**Mechanical and material properties of cable**

Min. bending radius, once only	5 x cable diameter	Min. bending radius, repetitive	15 x cable diameter
--------------------------------	--------------------	---------------------------------	---------------------

**Plug, left**

Connector left	M12 D-code – flange
----------------	---------------------

**Plug, right**

Connector right	Open
-----------------	------

**plug**

Connector left	M12 D-code – flange	Connector right	Open
----------------	---------------------	-----------------	------

**Classifications**

ETIM 6.0	EC002599	ETIM 7.0	EC002599
ETIM 8.0	EC002599	ECLASS 9.0	27-06-03-08
ECLASS 9.1	27-06-03-08	ECLASS 10.0	27-06-03-08
ECLASS 11.0	27-06-03-08		

**Approvals**

ROHS	Conform
------	---------

**IE-C5DS4UG0005MBSXXX-E****Weidmüller Interface GmbH & Co. KG**  
Klingenbergstraße 26  
D-32758 Detmold  
Germany

www.weidmueller.com

**Technical data****Downloads**

---

Approval/Certificate/Document of Conformity	<a href="#">PROFINET Manufacturer's Declaration</a>
Engineering Data	<a href="#">CAD data – STEP</a>
User Documentation	<a href="#">MAN IE GUIDE DE</a> <a href="#">MAN IE GUIDE EN</a>
Catalogues	<a href="#">Catalogues in PDF-format</a>
Brochures	<a href="#">FL FIELDWIRING EN</a> <a href="#">PI PROFINET CABLING EN</a> <a href="#">PI PROFINET CABLING EN</a>

---

**IE-C5DS4UG0005MBSXXX-E**

**Weidmüller Interface GmbH & Co. KG**  
 Klingenbergstraße 26  
 D-32758 Detmold  
 Germany

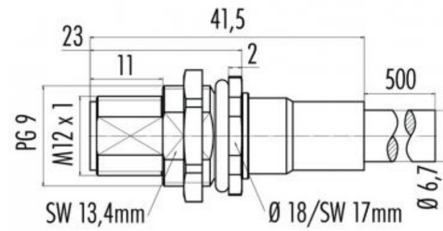
www.weidmueller.com

**Drawings**

**Wiring diagram**

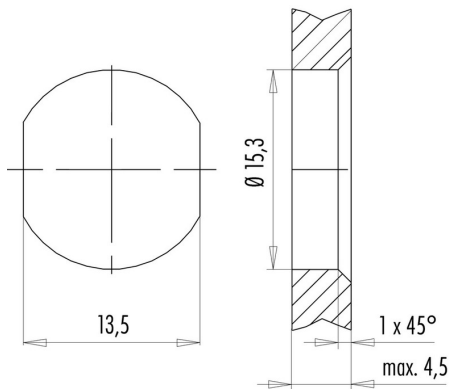
	M12
_____ yellow	1
_____ white	2
_____ orange	3
_____ blue	4

**Dimensioned drawing**



Hexagon nut enclosed loosely

**Dimensioned drawing**



with through hole

## IE-C5DS4UG0005MBSXXX-E

Weidmüller Interface GmbH &amp; Co. KG

Klingenbergstraße 26

D-32758 Detmold

Germany

www.weidmueller.com

## Accessories

## Blank



TM-I is an acknowledged and accredited marker type for traffic engineering applications. There are various different tag lengths available for individual labelling with long character strings. Easy handling of separation and installation thanks to the project marker field. Pre-attachment of sleeves and retrofitting of tags offer excellent versatility

The special contour of TM-I allows easy assembly and secures firm positioning. They are compatible with a number of commercially available sleeves. Thanks to the MultiCard format, the tags can be printed quickly and conveniently with the PrintJet CONNECT, plotter or the STI pen.

- Easy handling of separation and installation thanks to the project marker field.
- Acknowledged and accredited marker for traffic engineering applications
- Pre-attachment of sleeves and retrofitting of tags offer excellent versatility
- Not suited for labelling with P-Ink or STI pen in connection with CLI T sleeves

**For custom printing:** Please send us a file of our labeling software M-Print PRO or M-Print PRO Online (without installation) for your labeling specifications.

## General ordering data

Type	TM-I 12 MC NE WS	Version
Order No.	<a href="#">1718411044</a>	TM-I, Insert markers, 12 x 4 mm, white
GTIN (EAN)	4008190348977	
Qty.	320 pc(s).	

## Tools

Sheathing stripper for PVC cables



## General ordering data

Type	AM 12	Version
Order No.	<a href="#">9030060000</a>	Tools, Sheathing strippers
GTIN (EAN)	4008190337827	
Qty.	1 pc(s).	

**IE-C5DS4UG0005MBSXXX-E**

**Weidmüller Interface GmbH & Co. KG**  
 Klingenbergstraße 26  
 D-32758 Detmold  
 Germany

www.weidmueller.com

**Accessories**

**Blank**



TM-I is an acknowledged and accredited marker type for traffic engineering applications. There are various different tag lengths available for individual labelling with long character strings. Easy handling of separation and installation thanks to the project marker field. Pre-attachment of sleeves and retrofitting of tags offer excellent versatility

The special contour of TM-I allows easy assembly and secures firm positioning. They are compatible with a number of commercially available sleeves. Thanks to the MultiCard format, the tags can be printed quickly and conveniently with the PrintJet CONNECT, plotter or the STI pen.

- Easy handling of separation and installation thanks to the project marker field.
- Acknowledged and accredited marker for traffic engineering applications
- Pre-attachment of sleeves and retrofitting of tags offer excellent versatility
- Not suited for labelling with P-Ink or STI pen in connection with CLI T sleeves

**For custom printing:** Please send us a file of our labeling software M-Print PRO or M-Print PRO Online (without installation) for your labeling specifications.

**General ordering data**

Type	TM-I 18 MC NE WS	Version
Order No.	<a href="#">1718431044</a>	TM-I, Insert markers, 18 x 4 mm, white
GTIN (EAN)	4008190349011	
Qty.	320 pc(s).	

**Tools**



The CST with blue blade cartridge produces the best stripping results. The blue double-stage blade cartridge is particularly suited for Ethernet cables. It saves time and also ensures optimal stripping results.

**General ordering data**

Type	IE-CST	Version
Order No.	<a href="#">9204350000</a>	Tools, Sheathing strippers
GTIN (EAN)	4032248653072	
Qty.	1 pc(s).	

# Mouser Electronics

Authorized Distributor

Click to View Pricing, Inventory, Delivery & Lifecycle Information:

[Weidmuller:](#)

[1234770005](#)