

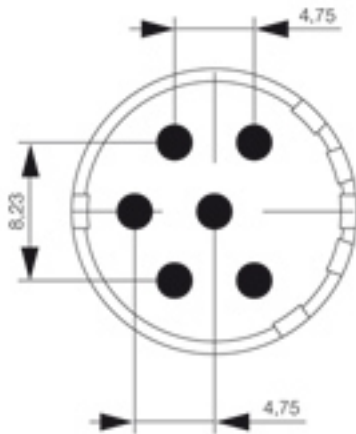
SAI-M23-BE-6-17MM**Weidmüller Interface GmbH & Co. KG**

Klingenbergstraße 26

D-32758 Detmold

Germany

www.weidmueller.com



The M23 round plug-in connectors offer a high number of mating cycles, high current-carrying capacity and high contact-density coupled with minimum dimensions. Enclosures, inserts and crimp contacts need to be ordered separately.

General ordering data

Version	Sensor/Actuator plug-in connector
Order No.	1224040000
Type	SAI-M23-BE-6-17MM
GTIN (EAN)	4050118008050
Qty.	1 pc(s).

Creation date April 3, 2022 8:15:05 AM CEST

Catalogue status 25.03.2022 / We reserve the right to make technical changes.

SAI-M23-BE-6-17MM**Weidmüller Interface GmbH & Co. KG**

Klingenbergstraße 26

D-32758 Detmold

Germany

www.weidmueller.com

Technical data**Dimensions and weights**

Net weight 14 g

Environmental Product Compliance

REACH SVHC Lead 7439-92-1

Technical data customisable plug-in connectors

Coding	none	Contact surface	Gold-plated
Housing main material	Thermoplastic polyamide PA 6, PBT	Number of poles	6
Plugging cycles	> 1000	Pollution severity	3
Rated current	20 A	Rated voltage	300 V
Type of connection	Solder connection		

Classifications

ETIM 6.0	EC000438	ETIM 7.0	EC003557
ETIM 8.0	EC003557	ECLASS 9.1	27-44-02-05
ECLASS 10.0	27-44-02-23	ECLASS 11.0	27-44-02-23

Important note

Product information Enclosures, inserts and crimp contacts need to be ordered separately.

Approvals

Approvals



ROHS	Conform
UL File Number Search	E344862

Downloads

Engineering Data	CAD data – STEP
Catalogues	Catalogues in PDF-format
Brochures	FL FIELDWIRING EN FL FIELDWIRING EN

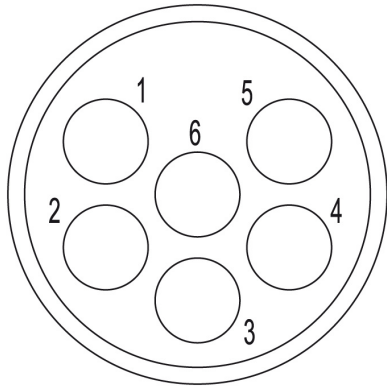
Data sheet

SAI-M23-BE-6-17MM

Weidmüller Interface GmbH & Co. KG
Klingenbergstraße 26
D-32758 Detmold
Germany

www.weidmueller.com

Drawings



Mouser Electronics

Authorized Distributor

Click to View Pricing, Inventory, Delivery & Lifecycle Information:

[Weidmuller:](#)

[1224040000](#)