

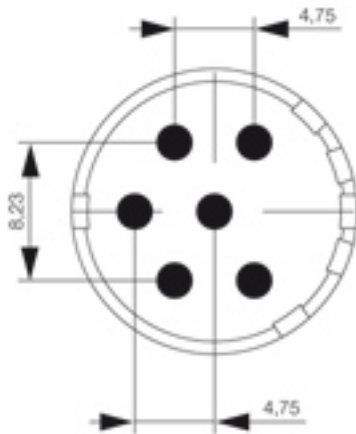
**SAI-M23-BE-6-3.5MM****Weidmüller Interface GmbH & Co. KG**

Klingenbergstraße 26

D-32758 Detmold

Germany

www.weidmueller.com



The M23 round plug-in connectors offer a high number of mating cycles, high current-carrying capacity and high contact-density coupled with minimum dimensions. Enclosures, inserts and crimp contacts need to be ordered separately.

**General ordering data**

|            |                                   |
|------------|-----------------------------------|
| Version    | Sensor/Actuator plug-in connector |
| Order No.  | <a href="#">1224030000</a>        |
| Type       | SAI-M23-BE-6-3.5MM                |
| GTIN (EAN) | 4050118007787                     |
| Qty.       | 1 pc(s).                          |

Creation date April 3, 2022 7:51:14 AM CEST

Catalogue status 25.03.2022 / We reserve the right to make technical changes.

**SAI-M23-BE-6-3.5MM****Weidmüller Interface GmbH & Co. KG**

Klingenbergstraße 26

D-32758 Detmold

Germany

www.weidmueller.com

**Technical data****Dimensions and weights**

Net weight 11 g

**Environmental Product Compliance**

REACH SVHC Lead 7439-92-1

**Technical data customisable plug-in connectors**

|                       |                                      |                    |             |
|-----------------------|--------------------------------------|--------------------|-------------|
| Coding                | none                                 | Contact surface    | Gold-plated |
| Housing main material | Thermoplastic polyamide<br>PA 6, PBT | Number of poles    | 6           |
| Plugging cycles       | > 1000                               | Pollution severity | 3           |
| Rated current         | 20 A                                 | Rated voltage      | 300 V       |
| Type of connection    | Solder connection                    |                    |             |

**Classifications**

|             |             |             |             |
|-------------|-------------|-------------|-------------|
| ETIM 6.0    | EC000438    | ETIM 7.0    | EC003557    |
| ETIM 8.0    | EC003557    | ECLASS 9.1  | 27-44-02-05 |
| ECLASS 10.0 | 27-44-02-23 | ECLASS 11.0 | 27-44-02-23 |

**Important note**

Product information Enclosures, inserts and crimp contacts need to be ordered separately.

**Approvals**

Approvals



|                       |         |
|-----------------------|---------|
| ROHS                  | Conform |
| UL File Number Search | E344862 |

**Downloads**

|            |  |
|------------|--|
| Catalogues | <a href="#">Catalogues in PDF-format</a>                               |
| Brochures  | <a href="#">FL FIELDWIRING EN</a><br><a href="#">FL FIELDWIRING EN</a> |

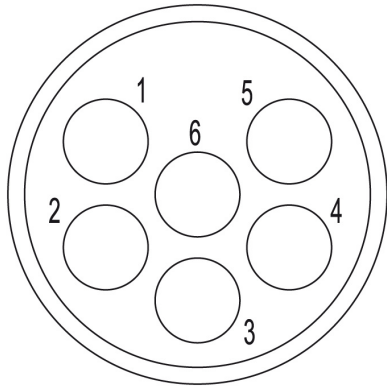
**Data sheet**

**SAI-M23-BE-6-3.5MM**

**Weidmüller Interface GmbH & Co. KG**  
Klingenbergstraße 26  
D-32758 Detmold  
Germany

[www.weidmueller.com](http://www.weidmueller.com)

**Drawings**



# Mouser Electronics

Authorized Distributor

Click to View Pricing, Inventory, Delivery & Lifecycle Information:

[Weidmuller:](#)

[1224030000](#)