

DRH173548LT**Weidmüller Interface GmbH & Co. KG**

Klingenbergstraße 26

D-32758 Detmold

Germany

www.weidmueller.com

Product image

Similar to illustration

DRH DC relays (with blow-out magnet)

- 1 NO contact with contact series connection
- Optional AC or DC coils
- With test button and Integrated status LED

General ordering data

| | |
|------------|---|
| Version | D-SERIES DRW / DRH, Relay, Number of contacts: 1, NO contact with blow-out magnet AgSnO, Rated control voltage: 48 V AC, Continuous current: 16 A, Flat blade connections (4.8 mm x 0.5 mm), Test button available: Yes |
| Order No. | 1219910000 |
| Type | DRH173548LT |
| GTIN (EAN) | 4032248998388 |
| Qty. | 10 pc(s). |

Creation date January 22, 2022 12:26:13 AM CET

Catalogue status 14.01.2022 / We reserve the right to make technical changes.

DRH173548LT

Weidmüller Interface GmbH & Co. KG

Klingenbergstraße 26

D-32758 Detmold

Germany

www.weidmueller.com

Technical data

Dimensions and weights

| | | | |
|------------|--------|-----------------|------------|
| Depth | 48 mm | Depth (inches) | 1.89 inch |
| Height | 36 mm | Height (inches) | 1.417 inch |
| Width | 36 mm | Width (inches) | 1.417 inch |
| Net weight | 90.4 g | | |

Temperatures

| | | | |
|---------------------|--------------------------------------|-----------------------|----------------|
| Storage temperature | -40 °C...60 °C | Operating temperature | -40 °C...60 °C |
| Humidity | 35 % to 85 % relative humidity level | | |

Environmental Product Compliance

| | |
|------------|----------------|
| REACH SVHC | Lead 7439-92-1 |
|------------|----------------|

Rated data UL

| | |
|-------------------------|---------|
| Certificate No. (cURus) | E312083 |
|-------------------------|---------|

Control side

| | | | |
|-----------------------|--------------|--------------------------------|--------------------|
| Rated control voltage | 48 V AC | Rated current AC | 50.5 mA |
| Power rating | 2.5 VA | Pull-in/drop-out voltage, typ. | 38.4 V / 14.4 V AC |
| Coil resistance | 350 Ω ± 10 % | Status indicator | red LED |

Load side

| | | | |
|---|---|---|---------------------------------------|
| Rated switching voltage | 500 V AC | Continuous current | 16 A |
| Max. switching frequency at rated load | 0.1 Hz | Max. switching voltage, DC | 300 V |
| Min. switching power | 100 mA @ 12 V | Inrush current | 80 A / 50 ms |
| AC switching capacity (resistive), max. | 8000 VA | DC switching capacity (resistive), max. | 2200 W @ 220 V |
| Switch-on delay | ≤ 20 ms | Switch-off delay | ≤ 20 ms |
| Contact type | 1 NO contact with blow-out magnet (AgSnO) | Mechanical service life | 10 x 10 ⁶ switching cycles |

General data

| | | | |
|--------------------------------------|--------------------------|------------------------|--|
| Test button available | Yes | | |
| Mechanical switch position indicator | Yes | | |
| Colour | Transparent | | |
| UL94 flammability rating component | Component | Housing | |
| | UL94 flammability rating | V-2 | |
| | Component | Relay baseplate | |
| | UL94 flammability rating | V-0 | |
| | Component | Relay status indicator | |
| | UL94 flammability rating | HB | |
| Component | Relay test button | | |
| | HB | | |

DRH173548LT

Weidmüller Interface GmbH & Co. KG

Klingenbergstraße 26

D-32758 Detmold

Germany

www.weidmueller.com

Technical data

Insulation coordination

| | | | |
|--|-----------------------------|---|-----------------------------|
| Insulation coordination according to | EN 61810-1:2008 | Rated voltage | 500 V |
| Pollution severity | 3 | Surge voltage category | III |
| Insulating material group | IIIa | Clearance and creepage distances for control side - load side | ≥ 8 mm |
| Dielectric strength for control side - load side | 4 kV _{eff} / 1 min | Dielectric strength of open contact | 4 kV _{eff} / 1 min |
| Protection degree | IP20 | | |

Further details of approvals / standards

| | | | |
|-----------|--|-------------------------|---------|
| Standards | IEC 61810-1, EN 60664-1:2007, EN 61000-6-2:2005, EN 61000-6-4:2007 + A1:2011, UL 508 | Certificate No. (cURus) | E312083 |
|-----------|--|-------------------------|---------|

Connection data

| | |
|------------------------|--|
| Wire connection method | Flat blade connections (4.8 mm x 0.5 mm) |
|------------------------|--|

Classifications

| | | | |
|-------------|-------------|-------------|-------------|
| ETIM 6.0 | EC001437 | ETIM 7.0 | EC001437 |
| ETIM 8.0 | EC001437 | ECLASS 9.0 | 27-37-16-01 |
| ECLASS 9.1 | 27-37-16-01 | ECLASS 10.0 | 27-37-16-01 |
| ECLASS 11.0 | 27-37-16-01 | | |

Approvals

Approvals



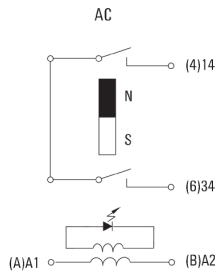
| | |
|-----------------------|---------|
| ROHS | Conform |
| UL File Number Search | E312083 |

Downloads

| | |
|---|---|
| Approval/Certificate/Document of Conformity | EU Konformitätserklärung / EU Declaration of Conformity |
| Engineering Data | CAD data – STEP |
| Engineering Data | EPLAN, WSCAD |
| Catalogues | Catalogues in PDF-format |
| Brochures | |

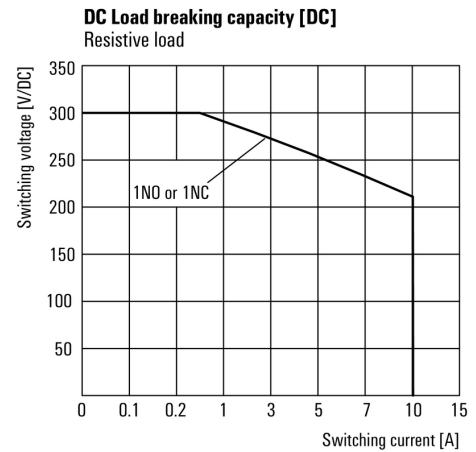
Drawings

Wiring diagram



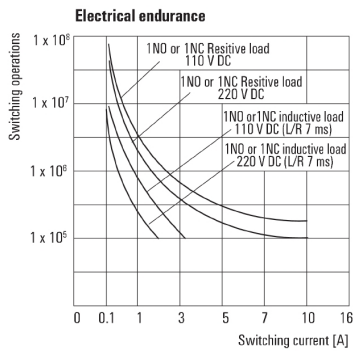
View of Pins from below

Graph



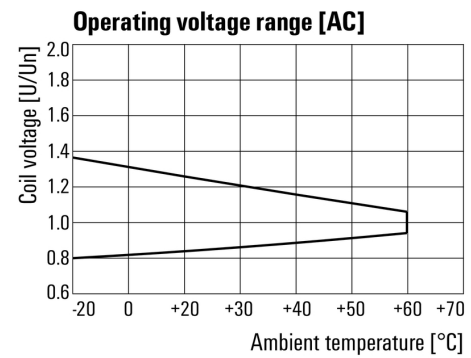
DC load limit curve
Resistive load

Graph



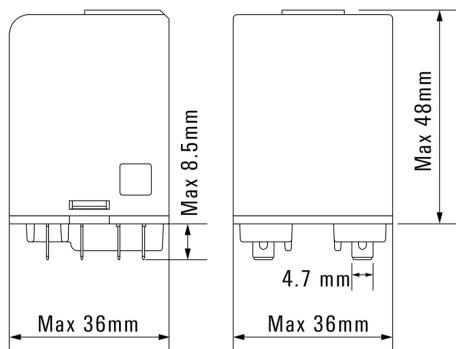
Electrical service life

Graph



AC operational voltage range

Dimensional drawing



DRH173548LT

Weidmüller Interface GmbH & Co. KG
Klingenbergstraße 26
D-32758 Detmold
Germany

www.weidmueller.com

Accessories

Blank



ESG is the tried-and-tested marker in MultiCard format for use on many well-known electrical devices. The result is high-quality device marking with a high-contrast appearance.

Various types are available for devices from manufacturers like Siemens, ABB, Beckhoff etc. Advantages at a glance:

- Tags for universal usage, self-adhesive or clip-on tags, depending on type
- For aligned equipment, e.g. circuit breakers, we supply ESG markers for clipping onto tag rails
- Individual laser-quality printing according to specifications

For custom printing: Please send us a file of our labeling software M-Print PRO or M-Print PRO Online (without installation) for your labeling specifications.

General ordering data

| | | |
|------------|----------------------------|---|
| Type | ESG 6/15 K MC NE GE | Version |
| Order No. | 1880130000 | ESG, Device markers x 15 mm, PA 66, Colour: yellow, Self-adhesive |
| GTIN (EAN) | 4032248478910 | |
| Qty. | 200 pc(s). | |

| | | |
|------------|----------------------------|--|
| Type | ESG 6/15 K MC NE WS | Version |
| Order No. | 1880100000 | ESG, Device markers x 15 mm, PA 66, Colour: white, Self-adhesive |
| GTIN (EAN) | 4032248478781 | |
| Qty. | 200 pc(s). | |

Protection modules



Pluggable protective modules for the D-SERIES relay sockets, with optional protective functions.

- With free-wheeling diode or RC filter

General ordering data

| | | |
|------------|----------------------------|--|
| Type | RIM 5 6/230VAC | Version |
| Order No. | 1174670000 | D-SERIES, RC filter, Rated control voltage: 6...230 V AC, Plug-in connection |
| GTIN (EAN) | 4032248971312 | |
| Qty. | 10 pc(s). | |

DRH173548LT

Weidmüller Interface GmbH & Co. KG
 Klingenbergstraße 26
 D-32758 Detmold
 Germany

www.weidmueller.com

Accessories

Test button cover

Test button cover for the D-SERIES DRW/DRH relays.



General ordering data

| | | |
|------------|----------------------------|---------------------------------------|
| Type | TEST LEVER BLOCK DRH/DRW | Version |
| Order No. | 7760056249 | D-SERIES DRW / DRH, Test button cover |
| GTIN (EAN) | 6944169641626 | |
| Qty. | 10 pc(s). | |

ESG 6/17



Guaranteed long service life: ESG

The multi-colour and multi-format labels have a strong adhesive layer to ensure the best possible adhesion to the underlying surface. Double laminated polyester makes the basic material very thin and yet extremely tear-resistant.

Your benefits with MultiMark

- "Different materials for various requirements"
- Can be used with equipment from many manufacturers
- Device markers with a familiar design

General ordering data

| | | |
|------------|----------------------------|---------------------------------------|
| Type | ESG 6/17 MM WS | Version |
| Order No. | 2005100000 | ESG, Device markers, 6 x 17 mm, white |
| GTIN (EAN) | 4050118390728 | |
| Qty. | 3,000 pc(s). | |

DRH173548LT

Weidmüller Interface GmbH & Co. KG
 Klingenbergstraße 26
 D-32758 Detmold
 Germany

www.weidmueller.com

Accessories

Retaining clips



Retaining clip for D-SERIES DRW/DRH relays
 • Metal retaining clip

General ordering data

| Type | DRW/DRH CLIP M | Version |
|------------|----------------------------|------------------------------------|
| Order No. | 1220260000 | D-SERIES DRW / DRH, Retaining clip |
| GTIN (EAN) | 4032248999576 | |
| Qty. | 10 pc(s). | |

Blank, adhesive backing



SM is a MultiCard marker for labelling control and signalling devices. The tags are clipped into the carriers or attached by means of the adhesive film already fitted to them. Customised tags can be created with the PrintJet CONNECT or Plotter marking systems.

- Users can quickly produce tags to suit their needs
- No need to stock expensive standard tags
- Highly resistant printing quality when using the PrintJet as a substitute for engraving
- For extreme demands, we recommend the ETO SM protective film
- Holders can be used for the 22-mm or 30-mm-diameter push-buttons from Siemens, ABB, Moeller and Télémécanique

For custom printing: Please send us a file of our labeling software M-Print PRO or M-Print PRO Online (without installation) for your labeling specifications.

General ordering data

| Type | SM 18/9.5 K MC NE WS | Version |
|------------|----------------------------|--|
| Order No. | 1248580000 | SwitchMark, Device markers, 9.5 x 18 mm, white |
| GTIN (EAN) | 4050118038965 | |
| Qty. | 200 pc(s). | |

| Type | SM 18/9.5 K MC NE GE | Version |
|------------|----------------------------|---|
| Order No. | 1248590000 | SwitchMark, Device markers, 9.5 x 18 mm, Siemens 3 SB, yellow |
| GTIN (EAN) | 4050118038958 | |
| Qty. | 200 pc(s). | |

DRH173548LT

Weidmüller Interface GmbH & Co. KG

Klingenbergstraße 26

D-32758 Detmold

Germany

www.weidmueller.com

Accessories

| | | |
|------------|----------------------------|---|
| Type | SM 18/9.5 K MC NE GR | Version |
| Order No. | 1248610000 | SwitchMark, Device markers, 9.5 x 18 mm, grey |
| GTIN (EAN) | 4050118038675 | |
| Qty. | 200 pc(s). | |

Blank



ESG is the tried-and-tested marker in MultiCard format for use on many well-known electrical devices. The result is high-quality device marking with a high-contrast appearance.

Various types are available for devices from manufacturers like Siemens, ABB, Beckhoff etc.

Advantages at a glance:

- Tags for universal usage, self-adhesive or clip-on tags, depending on type
- For aligned equipment, e.g. circuit breakers, we supply ESG markers for clipping onto tag rails
- Individual laser-quality printing according to specifications

For custom printing: Please send us a file of our labeling software M-Print PRO or M-Print PRO Online (without installation) for your labeling specifications.

General ordering data

| | | |
|------------|----------------------------|--|
| Type | ESG 9/11 K MC NE WS | Version |
| Order No. | 1857440000 | ESG, Device markers x 11 mm, PA 66, Colour: white, Self-adhesive |
| GTIN (EAN) | 4032248402731 | |
| Qty. | 200 pc(s). | |

Sockets



Relay sockets for the D-SERIES DRW/DRH relays

- Up to 3 CO contacts
- Screw connection

General ordering data

| | | |
|------------|----------------------------|---|
| Type | SPW ECO 3CO | Version |
| Order No. | 1220250000 | D-SERIES DRW / DRH, Relay socket, Number of contacts: 3, CO contact, Continuous current: 16 A, Screw connection |
| GTIN (EAN) | 4032248100101 | |
| Qty. | 10 pc(s). | |

DRH173548LT

Weidmüller Interface GmbH & Co. KG
 Klingenbergstraße 26
 D-32758 Detmold
 Germany

www.weidmueller.com

Accessories

Blank



ESG is the tried-and-tested marker in MultiCard format for use on many well-known electrical devices. The result is high-quality device marking with a high-contrast appearance.

Various types are available for devices from manufacturers like Siemens, ABB, Beckhoff etc. Advantages at a glance:

- Tags for universal usage, self-adhesive or clip-on tags, depending on type
- For aligned equipment, e.g. circuit breakers, we supply ESG markers for clipping onto tag rails
- Individual laser-quality printing according to specifications

For custom printing: Please send us a file of our labeling software M-Print PRO or M-Print PRO Online (without installation) for your labeling specifications.

General ordering data

| | | |
|------------|----------------------------|---|
| Type | ESG 6/17 K MC NE GE | Version |
| Order No. | 1880110000 | ESG, Device markers x 17 mm, PA 66, Colour: yellow, Self-adhesive |
| GTIN (EAN) | 4032248478798 | |
| Qty. | 200 pc(s). | |
| Type | ESG 6/17 K MC NE WS | Version |
| Order No. | 1880120000 | ESG, Device markers x 17 mm, PA 66, Colour: white, Self-adhesive |
| GTIN (EAN) | 4032248478804 | |
| Qty. | 200 pc(s). | |

Data sheet

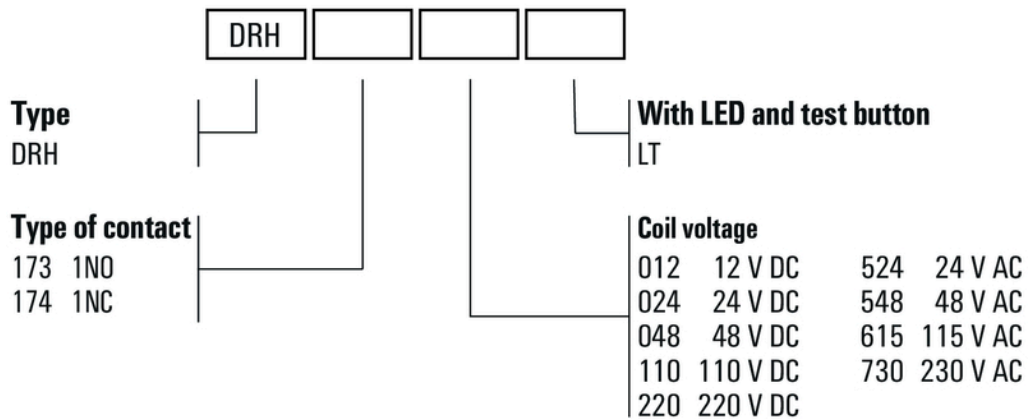
DRH173548LT

Weidmüller Interface GmbH & Co. KG
 Klingenbergstraße 26
 D-32758 Detmold
 Germany

www.weidmueller.com

Drawings

Miscellaneous



Type codes

Mouser Electronics

Authorized Distributor

Click to View Pricing, Inventory, Delivery & Lifecycle Information:

[Weidmuller:](#)

[1219910000](#)