

## KTB QL 303020 S4E3

**Weidmüller Interface GmbH & Co. KG**

Klingenbergstraße 26

D-32758 Detmold

Germany

[www.weidmueller.com](http://www.weidmueller.com)

### Similar to illustration



Abbildung ähnlich

The Klippon® TB enclosure range provides excellent performance characteristics, even under the most difficult environmental conditions. In addition, it complies with the stricter requirements of potentially explosive atmospheres found specifically in the process or power generation industries. The Klippon® TB QL enclosure range offers further improvements to a product line that is already successfully leading the market.

The Klippon® TB QL enclosure series features the following advantages:

- Available in 12 sizes and 3 standard depths
- Equipped with up to 4 gland plates
- The gasket is protected against compression
- Quick-locking cover, comes with a slot as standard
- Improved temperature performance
- IP66 protection
- Earthing stud in the cover and base of the enclosure
- Welded mounting feet
- International approvals

### General ordering data

Version	Klippon TB QL (Terminal Box - Quarter Lock), Empty enclosure, stainless steel enclosure, Height: 306 mm, Width: 306 mm, Depth: 200 mm, Gland plates: Bottom, left, right, Material: Stainless steel 1.4404 (316L), electropolished, silver
Order No.	<a href="#">1200090000</a>
Type	KTB QL 303020 S4E3
GTIN (EAN)	4032248982837
Qty.	1 pc(s).

**KTB QL 303020 S4E3**
**Weidmüller Interface GmbH & Co. KG**

Klingenbergstraße 26

D-32758 Detmold

Germany

[www.weidmueller.com](http://www.weidmueller.com)
**Technical data**
**Dimensions and weights**

Depth	200 mm	Depth (inches)	7.874 inch
Height	306 mm	Height (inches)	12.047 inch
Width	306 mm	Width (inches)	12.047 inch
Mounting dimension - height	203 mm	Mounting dimension - width	362 mm
Net weight	8,964 g		

**Temperatures**

Operating temperature	Note: room temperature (service)	Limited to IP66 protection when used in temperatures greater than 105 °C.
-60 °C...135 °C		

**Environmental Product Compliance**

REACH SVHC	Lead 7439-92-1
------------	----------------

**Cable glands, left**

M12	33	M16	22
M20	14	M25	12
M32	6	M40	5
M50	2	M63	2
M75	1		

**Cable glands, right**

M12	33	M16	22
M20	14	M25	12
M32	6	M40	5
M50	2	M63	2
M75	1		

**Cable glands, top/bottom**

M12	40	M16	26
M20	17	M25	14
M32	8	M40	6
M50	3	M63	2
M75	2		

**KTB QL 303020 S4E3**
**Weidmüller Interface GmbH & Co. KG**

 Klingenbergstraße 26  
 D-32758 Detmold  
 Germany

[www.weidmueller.com](http://www.weidmueller.com)
**Technical data**
**Certificate numbers enclosure**

Approval conditions	ATEX, CCoE, DNV, EAC, IECEx, INMETRO, KC, NEPSI, CCC, RMRS, UL AEx Class Div., UL AEx Class Zone, cULus	Attestation of Conformity No. (AoC)	DE PS261X 160309 001ISS03
Certificate No. (ATEX)	KEMA10ATEX0050	Certificate No. (CCOE)	P461058_1
Certificate No. (DNVGL)	TAE000013S	Certificate No. (EAC)	C-DE.HB07.B.00089-20
Certificate No. (IECEX)	IECEXKEM10.0020	Certificate No. Electronic Box (NEPSI)	2020322303003289
Certificate No. UL 508A	E223801	Certificate No. UL Haz.Loc.	E223792
Certificate No. UL Ord.Loc.	E243298	Certificate No. UL Terminal Box	E223792
Certificate no. (INMETRO)	IEX13.0007	Certificate no. (cULus)	E243298
Certificate no. Terminal Box (AEx)	E223792	Certificate no. Terminal Box (ATEX)	IBExU14ATEX1050
Certificate no. Terminal Box (EAC)	C-DE.HB07.B.00089/20 Ex Terminal Box; C-DE.AД54.B.00251/19 Ind. Terminal Box	Certificate no. Terminal Box (IECEX)	IECEXIBE14.0013
Certificate no. Terminal Box (INMETRO)	IEx 17.0021	Certificate no. Terminal Box (KOSHA)	16-AV4BO-0245X
Certificate no. empty enclosure (ATEX)	IBExU14ATEX1028 U	Certificate no. empty enclosure (IECEX)	IECEX IBE 14.0004U
Certificate no. empty enclosure (INMETRO)	IEx 17.0020U	Certificate no., empty enclosure (EAC)	C-DE.HB07.B.00089/20
Declaration of Conformity No. (DoC LVD)	DE PS261X 160412 001ISS02		

**KTB QL 303020 S4E3**
**Weidmüller Interface GmbH & Co. KG**

Klingenbergstraße 26

D-32758 Detmold

Germany

www.weidmueller.com

**Technical data**
**General information**

AF size	10 mm	Access opening: height	253 mm
Access opening: width		Areas of use	Explosive risk zone, Process industry, Oil and gas industry, Chemical industry, Offshore, Onshore
Dimension of box	247 mm	Enclosure attachment	4 welded-on mounting feet with 11 mm holes (2 slotted feet and 2 cross-shaped feet)
Flange plate	460x500x290	Flange plate mounting	M6 hexagonal head screws 10 SW
Gland plates	Yes	Halogen	No
Impact resistance	Bottom, left, right	Integral fixing	4, 6 or 9 stud bolts M6 inner (female) thread
Lid attachment	7 J ATEX version, 10 J version standard	Material	Stainless steel 1.4404 (316L)
Material thickness of cover	Quarter-turn fastener with slotted insert	Material thickness of enclosure	1.5 mm
Material thickness of flange	1.5 mm	Max. payload	37 kg
Note: protection class	3 mm	Opening angle lid	130 °
Operating temperature, max.	If used in temperature ranges above 105 °C, IP protection is limited to IP 66.	Operating temperature, min.	-60 °C
Overall dimensions	135 °C	Position PE bolts	Enclosure side C
Protection class (UL)	317 x 387 x 210	Protection degree	IP66
Seal material	Type 3, Type 4x, Type 12	Standards	DIN EN 62208 - Empty enclosure standard, DIN EN 61373 Class 1B**, DIN EN 15085-2, EN 60079-0, EN 60079-7, EN 60079-31, IEC 60079-0, IEC 60079-7, IEC 60079-31
Surface finish	Silicone		
	electropolished		

**Housing earth**

Earth, enclosure, internal	Welded-on M6 stainless-steel earth stud in enclosure body and lid.
----------------------------	--

**horizontal assembly**

WDU 10 / ZDU 10	1x22	WDU 16 / ZDU 16	1x18
WDU 2,5 / ZDU 2,5 / IDU 2,5	2x43	WDU 35 / ZDU 35	1x13
WDU 4 / ZDU 4	2x36	WDU 6 / ZDU 6	2x27

**vertical assembly**

WDU 10 / ZDU 10	1x22	WDU 16 / ZDU 16	1x19
WDU 2,5 / ZDU 2,5 / IDU 2,5	2x44	WDU 35 / ZDU 35	1x14
WDU 4 / ZDU 4	2x37	WDU 6 / ZDU 6	2x28

**KTB QL 303020 S4E3**

**Weidmüller Interface GmbH & Co. KG**  
 Klingenbergstraße 26  
 D-32758 Detmold  
 Germany

www.weidmueller.com

**Technical data**

**Classifications**

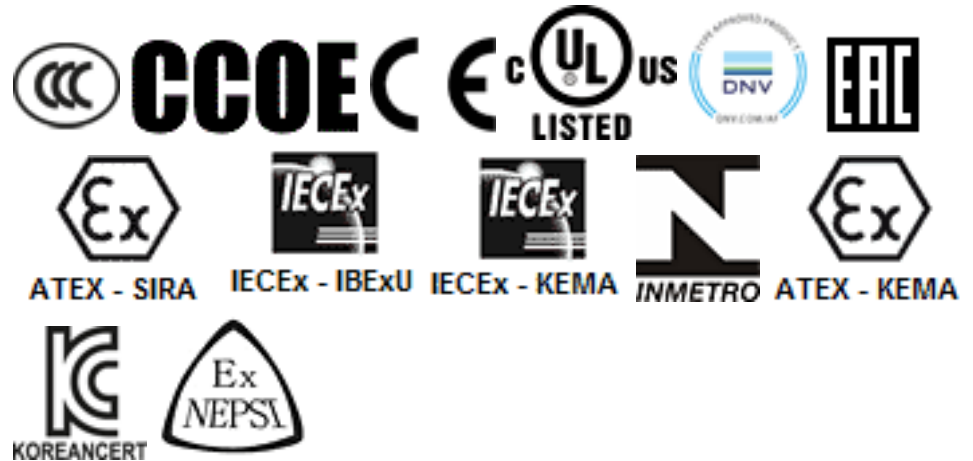
ETIM 6.0	EC002503	ETIM 7.0	EC002503
ETIM 8.0	EC002503	ECLASS 9.0	27-18-05-02
ECLASS 9.1	27-18-05-02	ECLASS 10.0	27-18-05-02
ECLASS 11.0	27-18-05-02		

**Important note**

Product information	Minimum order quantity (20 pieces)
---------------------	------------------------------------

**Approvals**

Approvals



ROHS	Conform
UL File Number Search	E243298

**KTB QL 303020 S4E3**
**Weidmüller Interface GmbH & Co. KG**

Klingenbergstraße 26

D-32758 Detmold

Germany

[www.weidmueller.com](http://www.weidmueller.com)
**Technical data**
**Downloads**

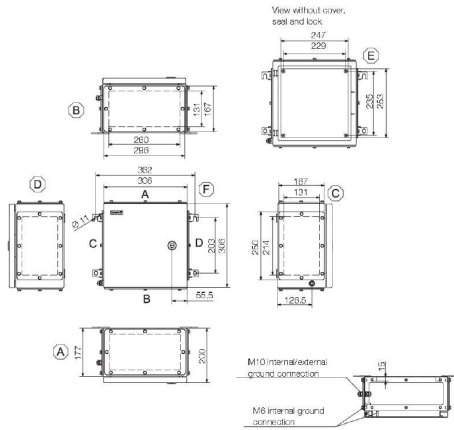
Approval/Certificate/Document of Conformity	<a href="#">C-DE.HB07.B.00089-Empty Enclosures and Ex. Terminal Box</a> <a href="#">C-DE.AJ54.B.00251.19 Ind. Terminal Box</a> <a href="#">CCC 2020322303002358 KTB Assembly Enclosure</a> <a href="#">CCC 2020322303002357 KTB Empty Enclosure</a> <a href="#">Attestation of Conformity - Klippon TB Empty Enclosures - AoC DE PS261X 160309 001ISS05 IEX17.0021</a> <a href="#">IEX17.0020U</a> <a href="#">IBEXU14ATEX1028U</a> <a href="#">IBEXU14ATEX1050</a> <a href="#">IECEXIBE14.0004U</a> <a href="#">IECEXIBE14.0013</a> <a href="#">TAE000013S</a> <a href="#">15.40073.250</a> <a href="#">RUC-DE.MIO62.B.04799</a> <a href="#">GYJ14.1310X</a> <a href="#">IECEXPTB11.0071</a> <a href="#">PTB11ATEX2019</a> <a href="#">16-AV4BO-245X</a> <a href="#">P4610581_1</a> <a href="#">21-09-25241/E21-09-053807</a> <a href="#">EU Declaration of Conformity - Klippon TB Empty Enclosures - DoC DE PS261X 160412 001ISS03</a>
Engineering Data	<a href="#">CAD data – STEP</a>
Engineering Data	<a href="#">EPLAN, WSCAD</a>
Tender specification	<a href="#">Klippon TB QL 303020 S4E3_1200090000_DE</a> <a href="#">Klippon TB QL 303020 S4E3_1200090000_EN</a> <a href="#">Klippon TB QL 303020 S4E3_1200090000_NL</a>
User Documentation	<a href="#">Assembly guidelines - empty enclosures</a>
Catalogues	<a href="#">Catalogues in PDF-format</a>
Brochures	<a href="#">MB OVERV. PROCESS WD DE</a> <a href="#">MB KLIPPON ENCL.TECN EN</a> <a href="#">MB PROCESS EN</a> <a href="#">FL WIND 2012 EN</a> <a href="#">FL APPL PROCESS EN</a> <a href="#">FL SHIPBUILDING 2016 EN</a> <a href="#">FL RAILWAY 2014 EN</a> <a href="#">PI KLIPPON TB MH QL EN</a> <a href="#">PI KLIPPON TB MH QL EN</a>

**KTB QL 303020 S4E3**

**Weidmüller Interface GmbH & Co. KG**  
Klingenbergstraße 26  
D-32758 Detmold  
Germany

**Drawings**

www.weidmueller.com



## KTB QL 303020 S4E3

**Weidmüller Interface GmbH & Co. KG**  
 Klingenbergstraße 26  
 D-32758 Detmold  
 Germany

www.weidmueller.com

## Accessories

## Depth 7.5 mm



## General ordering data

Type	TS35X7.5 ST KTB3030 HOR	Version
Order No.	<a href="#">8000006722</a>	Rail, TS 35, TS 35 x 7.5, Width: 245 mm, without slot, Steel,
GTIN (EAN)	4050118652901	galvanized, chromium-plated
Qty.	20 pc(s).	
Type	TS35X7.5 ST KTB3030 VER	Version
Order No.	<a href="#">8000006710</a>	Rail, TS 35, TS 35 x 7.5, Width: 251 mm, without slot, Steel,
GTIN (EAN)	4050118652833	galvanized, chromium-plated
Qty.	20 pc(s).	

## 306 x 306mm



**Integrate, expand and customise: The ideal expansion for every application**

The consistent structure of accessories for the new Klippon® TB enclosure range means that you can easily adapt the enclosure to the specific requirements of each application.

**Mounting plates**

Mounting plates, with and without hole patterns, for longitudinal and transverse mounting of DIN mounting rails or components directly onto the mounting plate.

## General ordering data

Type	KTB MOPL 3030 S2N H	Version
Order No.	<a href="#">1257670000</a>	Klippon TB (Terminal Box), Mounting plate, prepunched, Height: 251
GTIN (EAN)	4050118049312	mm, Width: 245 mm, Depth: 1.5 mm, Material: Stainless steel 1.4301
Qty.	1 pc(s).	(304), untreated, silver
Type	KTB MOPL 3030 MSZN	Version
Order No.	<a href="#">1193960000</a>	Klippon TB (Terminal Box), Mounting plate, Height: 251 mm, Width:
GTIN (EAN)	4050118028560	245 mm, Depth: 1.5 mm, Material: Sheet steel, galvanized, silver
Qty.	1 pc(s).	
Type	KTB MOPL 3030 S2N	Version
Order No.	<a href="#">1193830000</a>	Klippon TB (Terminal Box), Mounting plate, Height: 251 mm, Width:
GTIN (EAN)	4050118028430	245 mm, Depth: 1.5 mm, Material: Stainless steel 1.4301 (304),
Qty.	1 pc(s).	untreated, silver
Type	KTB MOPL 3030 MSZN H	Version
Order No.	<a href="#">2022190000</a>	Klippon TB (Terminal Box), Mounting plate, prepunched, Height:
GTIN (EAN)	4050118403466	251 mm, Width: 245 mm, Depth: 1.5 mm, Material: Sheet steel,
Qty.	1 pc(s).	galvanized, silver



## KTB QL 303020 S4E3

**Weidmüller Interface GmbH & Co. KG**  
 Klingenbergstraße 26  
 D-32758 Detmold  
 Germany

www.weidmueller.com

## Accessories

## Type label holder



### Integrate, expand and customise: The ideal expansion for every application

The consistent structure of accessories for the new Klippon® TB enclosure range means that you can easily adapt the enclosure to the specific requirements of each application.

#### Nameplate holders

There are a variety of designed label holders available for prominent display as required and for additional nameplates as needed.

## General ordering data

Type	TPSDHA KTB 70X70M3 S2 R	Version
Order No.	<a href="#">1279320000</a>	Klippon TB (Terminal Box), Ratings plate holder, Riveted, Height: 70
GTIN (EAN)	4050118070101	mm, Width: 70 mm, Depth: 20 mm, Material: Stainless steel 1.4301,
Qty.	1 pc(s).	Mirror polished, silver
Type	TPSDHA KTB 130X50 S2 R	Version
Order No.	<a href="#">1283450000</a>	Klippon TB (Terminal Box), Ratings plate holder, Riveted, Height:
GTIN (EAN)	4050118073621	50 mm, Width: 171 mm, Depth: 16.5 mm, Material: Stainless steel
Qty.	1 pc(s).	1.4301, Mirror polished, silver
Type	TPSDHA KTB 100X25 S2 2R	Version
Order No.	<a href="#">1257640000</a>	Klippon TB (Terminal Box), Ratings plate holder, Riveted, Height:
GTIN (EAN)	4050118070354	25 mm, Width: 141 mm, Depth: 16.5 mm, Material: Stainless steel
Qty.	1 pc(s).	1.4301, Mirror polished, silver

## Closure elements



### Integrate, expand and customise: The ideal expansion for every application

The consistent structure of accessories for the new Klippon® TB enclosure range means that you can easily adapt the enclosure to the specific requirements of each application.

#### Sealing systems

There are different closure systems available for the safe and orderly sealing of the enclosure. There are padlocks for the Klippon® TB MH enclosures and a variety of lock inserts for the Klippon® TB QL enclosures.

## General ordering data

Type	KTB QLL S2 DB3	Version
Order No.	<a href="#">1191590000</a>	Klippon TB (Terminal Box), Closure element, Material: Stainless steel
GTIN (EAN)	4050118134285	1.4301, untreated, silver
Qty.	10 pc(s).	
Type	KTB QLL S2 SLS	Version
Order No.	<a href="#">1191600000</a>	Klippon TB (Terminal Box), Closure element, Material: Stainless steel
GTIN (EAN)	4050118137989	1.4301, untreated, silver
Qty.	10 pc(s).	

## KTB QL 303020 S4E3

Weidmüller Interface GmbH &amp; Co. KG

Klingenbergstraße 26

D-32758 Detmold

Germany

www.weidmueller.com

## Accessories

Type	KTB QLH S4 SLS	Version
Order No.	<a href="#">1191610000</a>	Klippon TB (Terminal Box), Closure element, Material: Stainless steel
GTIN (EAN)	4050118137965	1.4404, untreated, silver
Qty.	50 pc(s).	

## Installation material

**Integrate, expand and customise - the perfect supplement to every application**

The fully structured range of system accessories for the new Klippon® TB enclosure series allows you to easily adapt the enclosures to meet the specific requirements of every application.

**Mounting hardware kits**

Mounting hardware kits are available for quick and easy installation of type label holders, document holders and rain hoods.

The **label fastening set – SD** is required to install a plastic (Trafolyte) ID or type label. With the aid of this set can you mount the ID or type label directly on the enclosure cover. The label fastening set has been specially developed for this purpose. Only by using this fastening set can you ensure that there will be no leaks into the enclosure or damage to the label.

The **universal fastening set – TPSD** has been developed to enable secure and quick installation of type label holders, rain covers or document holders, for example. By using this fastening set, the risk of leaks can be minimised, if not avoided.

## General ordering data

Type	TPSD FIXING SET KTB	Version
Order No.	<a href="#">1252190000</a>	Klippon TB (Terminal Box), Type plate fixings set, Material: Stainless
GTIN (EAN)	4050118043969	steel, rust-proof, untreated, silver
Qty.	1 pc(s).	
Type	SD FIXING SET	Version
Order No.	<a href="#">1285200000</a>	Klippon TB (Terminal Box), Identification plate fixing set, Material:
GTIN (EAN)	4050118075472	Stainless steel, rust-proof, untreated, silver
Qty.	1 pc(s).	

## KTB QL 303020 S4E3

**Weidmüller Interface GmbH & Co. KG**  
 Klingenbergstraße 26  
 D-32758 Detmold  
 Germany

www.weidmueller.com

## Accessories

## Mounting plates fastening



### Integrate, expand and customise: The ideal expansion for every application

The consistent structure of accessories for the Klippon® EBi enclosure range means that you can easily adapt the enclosure to the specific requirements of each application.

## General ordering data

Type	GFSC M5X10 TX20 SET	Version
Order No.	<a href="#">1274150000</a>	Klippon EBi (Essential Box industrial), Mounting screw, Material: Steel,
GTIN (EAN)	4050118063820	galvanized, silver
Qty.	1 pc(s).	

## Gland plates made out of stainless steel - 6 mm



### Integrate, expand and customise: The ideal expansion for every application

The consistent structure of accessories for the new Klippon® TB enclosure range means that you can easily adapt the enclosure to the specific requirements of each application.

#### Flange plates

Flange plates in two thicknesses, for easy replacement of pre-assembl

## General ordering data

Type	KTB GP 303020 AB S4 6MM	Version
Order No.	<a href="#">1256360000</a>	Klippon TB (Terminal Box), flange plate, Height: 296 mm, Width: 167 mm, Depth: 6 mm, Gland plates: top, Bottom, Material: Stainless steel
GTIN (EAN)	4050118093773	
Qty.	1 pc(s).	1.4404, electropolished, silver
Type	KTB GP 303020 CD S4 6MM	Version
Order No.	<a href="#">1256370000</a>	Klippon TB (Terminal Box), flange plate, Height: 250 mm, Width: 167 mm, Depth: 6 mm, Gland plates: left, right, Material: Stainless steel
GTIN (EAN)	4050118093780	
Qty.	1 pc(s).	1.4404, electropolished, silver

## KTB QL 303020 S4E3

**Weidmüller Interface GmbH & Co. KG**  
 Klingenbergstraße 26  
 D-32758 Detmold  
 Germany

www.weidmueller.com

# Accessories

## Stainless steel 1.4404 (316L)



### **Integrate, expand and customise: The ideal expansion for every application**

The consistent structure of accessories for the new Klippon® TB enclosure range means that you can easily adapt the enclosure to the specific requirements of each application.

#### **Rain Covers**

The rain cover provides an ideal, additional level of protection for the enclosure if it is installed in unusual climatic zones with, for instance, very heavy rainfall or extreme levels of direct sunlight.

### General ordering data

Type	KTB RNHD 303020 S4E R	Version
Order No.	<a href="#">1314130000</a>	Klippon TB (Terminal Box), Rain hood, Height: 55.9 mm, Width: 311
GTIN (EAN)	4050118117240	mm, Depth: 221.2 mm, Material: Stainless steel 1.4404 (316L),
Qty.	1 pc(s).	electropolished, silver

## Grounding strap

The fully structured range of system accessories for the new Klippon® TB enclosure series allows you to easily adapt the enclosures to meet the specific requirements of every application. The following options are available:

- Closure Elements
- Document holders
- Earthing stud
- Gland plates
- Installation material
- Mounting plates
- Rain hoods
- Spacer
- Terminal rails
- Type label holder

### General ordering data

Type	PECD WIRE 6/200/D6 SET	Version
Order No.	<a href="#">2475490000</a>	Klippon TB (Terminal Box), Grounding strap, Sscrewed, Material: Steel,
GTIN (EAN)	4050118487206	Green/yellow
Qty.	1 pc(s).	

## KTB QL 303020 S4E3

**Weidmüller Interface GmbH & Co. KG**  
 Klingenbergstraße 26  
 D-32758 Detmold  
 Germany

www.weidmueller.com

## Accessories

## Earthing stud



**Integrate, expand and customise: The ideal expansion for every application**

The consistent structure of accessories for the new Klippon® TB enclosure range means that you can easily adapt the enclosure to the specific requirements of each application.

**Earthing bolt**

Earthing bolts to exchange as a complete component in two versions – brass and stainless steel.

## General ordering data

Type	PEBZ M10 KTB S4 SET	Version
Order No.	<a href="#">1192690000</a>	Klippon TB (Terminal Box), Earthing stud, Miscellaneous, Width: 48.5
GTIN (EAN)	4032248974658	mm, Material: Stainless steel 1.4404, untreated, silver
Qty.	1 pc(s).	
Type	PEBZ M10 KTB BR SET	Version
Order No.	<a href="#">1192680000</a>	Klippon TB (Terminal Box), Earthing stud, Miscellaneous, Width: 48.5
GTIN (EAN)	4032248974641	mm, Material: Brass, untreated, silver
Qty.	1 pc(s).	

## Gland plates without earthing studs



**Integrate, expand and customise: The ideal expansion for every application**

The consistent structure of accessories for the new Klippon® TB enclosure range means that you can easily adapt the enclosure to the specific requirements of each application.

**Flange plates**

Flange plates in two thicknesses, for easy replacement of pre-assembl

## General ordering data

Type	KTB GP 303020 AB S4	Version
Order No.	<a href="#">1280970000</a>	Klippon TB (Terminal Box), flange plate, Height: 296 mm, Width: 167
GTIN (EAN)	4050118071658	mm, Depth: 3 mm, Gland plates: top, Bottom, Material: Stainless steel
Qty.	1 pc(s).	1.4404, electropolished, silver
Type	KTB GP 303020 CD S4	Version
Order No.	<a href="#">1280980000</a>	Klippon TB (Terminal Box), flange plate, Height: 250 mm, Width: 167
GTIN (EAN)	4050118071818	mm, Depth: 3 mm, Gland plates: left, right, Material: Stainless steel
Qty.	1 pc(s).	1.4404, electropolished, silver

## KTB QL 303020 S4E3

**Weidmüller Interface GmbH & Co. KG**  
 Klingenbergstraße 26  
 D-32758 Detmold  
 Germany

www.weidmueller.com

# Accessories

## Gland plates with earthing studs



### **Integrate, expand and customise: The ideal expansion for every application**

The consistent structure of accessories for the new Klippon® TB enclosure range means that you can easily adapt the enclosure to the specific requirements of each application.

#### **Flange plates**

Flange plates in two thicknesses, for easy replacement of pre-assembl

### General ordering data

Type	KTB GP 303020 AB S4 PE	Version
Order No.	<a href="#">2023140000</a>	Klippon TB (Terminal Box), flange plate, Height: 296 mm, Width: 167
GTIN (EAN)	4050118403770	mm, Depth: 3 mm, Gland plates: top, Bottom, Material: Stainless steel
Qty.	1 pc(s).	1.4404, electropolished, silver
Type	KTB GP 303020 CD S4 PE	Version
Order No.	<a href="#">2023150000</a>	Klippon TB (Terminal Box), flange plate, Height: 250 mm, Width: 167
GTIN (EAN)	4050118403671	mm, Depth: 3 mm, Gland plates: left, right, Material: Stainless steel
Qty.	1 pc(s).	1.4404, electropolished, silver

## Stainless steel 1.4301



### **Integrate, expand and customise: The ideal expansion for every application**

The consistent structure of accessories for the new Klippon® TB enclosure range means that you can easily adapt the enclosure to the specific requirements of each application.

#### **Rain Covers**

The rain cover provides an ideal, additional level of protection for the enclosure if it is installed in unusual climatic zones with, for instance, very heavy rainfall or extreme levels of direct sunlight.

### General ordering data

Type	KTB RNHD 303020 R	Version
Order No.	<a href="#">1281400000</a>	Klippon TB (Terminal Box), Rain hood, Height: 55.9 mm, Width: 311
GTIN (EAN)	4050118072082	mm, Depth: 221.2 mm, Material: Stainless steel 1.4301, Mirror
Qty.	1 pc(s).	polished, silver

## KTB QL 303020 S4E3

**Weidmüller Interface GmbH & Co. KG**  
 Klingenbergstraße 26  
 D-32758 Detmold  
 Germany

www.weidmueller.com

# Accessories

## Depth 15 mm



### General ordering data

Type	TS35X15 ST KTB3030 HOR	Version
Order No.	<a href="#">8000073111</a>	Rail, TS 35, TS 35 x 15, Width: 245 mm, without slot, Steel, galvanic
GTIN (EAN)	4064675340614	zinc plated and passivated
Qty.	20 pc(s).	
Type	TS35X15 ST KTB3030 VER	Version
Order No.	<a href="#">8000073112</a>	Rail, TS 35, TS 35 x 15, Width: 251 mm, without slot, Steel, galvanic
GTIN (EAN)	4064675340645	zinc plated and passivated
Qty.	20 pc(s).	

## Document holders



### Integrate, expand and customise - the perfect supplement to every application

The fully structured range of system accessories for the new Klippon® TB enclosure series allows you to easily adapt the enclosures to meet the specific requirements of every application.

### Document holders

Document holders for the proper storage of documents in the enclosure

### General ordering data

Type	DOHA KTB A6 S2 R	Version
Order No.	<a href="#">1252780000</a>	Klippon TB (Terminal Box), Document holders, Riveted, Height: 110
GTIN (EAN)	4050118045512	mm, Width: 130 mm, Depth: 20 mm, Material: Stainless steel 1.4301,
Qty.	1 pc(s).	Mirror polished, silver

# Mouser Electronics

Authorized Distributor

Click to View Pricing, Inventory, Delivery & Lifecycle Information:

[Weidmuller:](#)

[1200090000](#)