

KTB QL 303015 S4E0

Weidmüller Interface GmbH & Co. KG

Klingenbergstraße 26

D-32758 Detmold

Germany

www.weidmueller.com

Similar to illustration



Abbildung ähnlich

The Klippon® TB enclosure range provides excellent performance characteristics, even under the most difficult environmental conditions. In addition, it complies with the stricter requirements of potentially explosive atmospheres found specifically in the process or power generation industries. The Klippon® TB QL enclosure range offers further improvements to a product line that is already successfully leading the market.

The Klippon® TB QL enclosure series features the following advantages:

- Available in 12 sizes and 3 standard depths
- Equipped with up to 4 gland plates
- The gasket is protected against compression
- Quick-locking cover, comes with a slot as standard
- Improved temperature performance
- IP66 protection
- Earthing stud in the cover and base of the enclosure
- Welded mounting feet
- International approvals

General ordering data

Version	Klippon TB QL (Terminal Box - Quarter Lock), Empty enclosure, stainless steel enclosure, Height: 306 mm, Width: 306 mm, Depth: 150 mm, Material: Stainless steel 1.4404 (316L), electropolished, silver
Order No.	1200010000
Type	KTB QL 303015 S4E0
GTIN (EAN)	4032248983032
Qty.	1 pc(s).

KTB QL 303015 S4E0
Weidmüller Interface GmbH & Co. KG

Klingenbergstraße 26

D-32758 Detmold

Germany

www.weidmueller.com

Technical data
Dimensions and weights

Depth	150 mm	Depth (inches)	5.905 inch
Height	306 mm	Height (inches)	12.047 inch
Width	306 mm	Width (inches)	12.047 inch
Mounting dimension - height	203 mm	Mounting dimension - width	332 mm
Net weight	6,660 g		

Temperatures

Operating temperature	Note: room temperature (service)	Limited to IP66 protection when used in temperatures greater than 105 °C.
-60 °C...135 °C		

Environmental Product Compliance

REACH SVHC	Lead 7439-92-1
------------	----------------

Cable glands, left

M12	20	M16	11
M20	9	M25	4
M32	3	M40	3
M50	2	M63	0
M75	0		

Cable glands, right

M12	20	M16	11
M20	9	M25	4
M32	3	M40	3
M50	2	M63	0
M75	0		

Cable glands, top/bottom

M12	24	M16	13
M20	11	M25	5
M32	4	M40	3
M50	3	M63	0
M75	0		

KTB QL 303015 S4E0
Weidmüller Interface GmbH & Co. KG

 Klingenbergstraße 26
 D-32758 Detmold
 Germany

www.weidmueller.com
Technical data
Certificate numbers enclosure

Approval conditions	ATEX, CCoE, DNV, EAC, IECEx, INMETRO, KC, NEPSI, CCC, RMRS, UL AEx Class Div., UL AEx Class Zone, cULus	Attestation of Conformatiy No. (AoC)	DE PS261X 160309 001ISS03
Certificate No. (ATEX)	KEMA10ATEX0046U	Certificate No. (CCOE)	P461058_1
Certificate No. (DNVGL)	TAE000013S	Certificate No. (EAC)	C-DE.HB07.B.00089-20
Certificate No. (IECEX)	IECEXKEM10.0016U	Certificate No. Electronic Box (NEPSI)	2020322303003289
Certificate No. UL 508A	E223801	Certificate No. UL Haz.Loc.	E223792
Certificate No. UL Ord.Loc.	E243298	Certificate No. UL Terminal Box	E223792
Certificate no. (INMETRO)	IEX13.0008U	Certificate no. (cULus)	E243298
Certificate no. Terminal Box (AEx)	E223792	Certificate no. Terminal Box (ATEX)	IBExU14ATEX1050
Certificate no. Terminal Box (EAC)	C-DE.HB07.B.00089/20 Ex Terminal Box; C-DE.A154.B.00251/19 Ind. Terminal Box	Certificate no. Terminal Box (IECEX)	IECEXIBE14.0013
Certificate no. Terminal Box (INMETRO)	IEx 17.0021	Certificate no. Terminal Box (KOSHA)	16-AV4B0-0245X
Certificate no. empty enclosure (ATEX)	IBExU14ATEX1028 U	Certificate no. empty enclosure (IECEX)	IECEX IBE 14.0004U
Certificate no. empty enclosure (INMETRO)	IEx 17.0020U	Certificate no., empty enclosure (EAC)	C-DE.HB07.B.00089/20
Declaration of Conformatiy No. (DoC LVD)	DE PS261X 160412 001ISS02		

General information

Access opening: height	253 mm	Access opening: width	247 mm
Areas of use	Explosive risk zone, Process industry, Oil and gas industry, Chemical industry, Offshore, Onshore	Dimension of box	460x500x240
Enclosure attachment	4 welded-on mounting feet with 11 mm holes (2 slotted feet and 2 cross-shaped feet)	Flange plate	No
Halogen	No	Impact resistance	7 J ATEX version, 10 J version standard
Integral fixing	4, 6 or 9 stud bolts M6 inner (female) thread	Lid attachment	Quarter-turn fastener with slotted insert
Material	Stainless steel 1.4404 (316L)	Material thickness of cover	1.5 mm
Material thickness of enclosure	1.5 mm	Max. payload	37 kg
Note: protection class	If used in temperature ranges above 105 °C, IP protection is limited to IP 66.	Opening angle lid	130 °
Operating temperature, max.	135 °C	Operating temperature, min.	-60 °C
Overall dimensions	306 x 357 x 160	Position PE bolts	Enclosure side C
Protection class (UL)	Type 3, Type 4x, Type 12	Protection degree	IP66
Seal material	Silicone electropolished	Standards	DIN EN 62208 - Empty enclosure standard, DIN EN 61373 Class 1B**, DIN EN 15085-2, EN 60079-0, EN 60079-7, EN 60079-31, IEC 60079-0, IEC 60079-7, IEC 60079-31

Creation date January 21, 2022 9:27:14 PM CET

Catalogue status 14.01.2022 / We reserve the right to make technical changes.

KTB QL 303015 S4E0

Weidmüller Interface GmbH & Co. KG
 Klingenbergstraße 26
 D-32758 Detmold
 Germany

www.weidmueller.com

Technical data

Housing earth

Earth, enclosure, internal Welded-on M6 stainless-steel earth stud in enclosure body and lid.

horizontal assembly

WDU 10 / ZDU 10	1x22	WDU 16 / ZDU 16	1x18
WDU 2,5 / ZDU 2,5 / IDU 2,5	2x43	WDU 35 / ZDU 35	1x13
WDU 4 / ZDU 4	2x36	WDU 6 / ZDU 6	2x27

vertical assembly

WDU 10 / ZDU 10	1x22	WDU 16 / ZDU 16	1x19
WDU 2,5 / ZDU 2,5 / IDU 2,5	2x44	WDU 35 / ZDU 35	1x14
WDU 4 / ZDU 4	2x37	WDU 6 / ZDU 6	2x28

Classifications

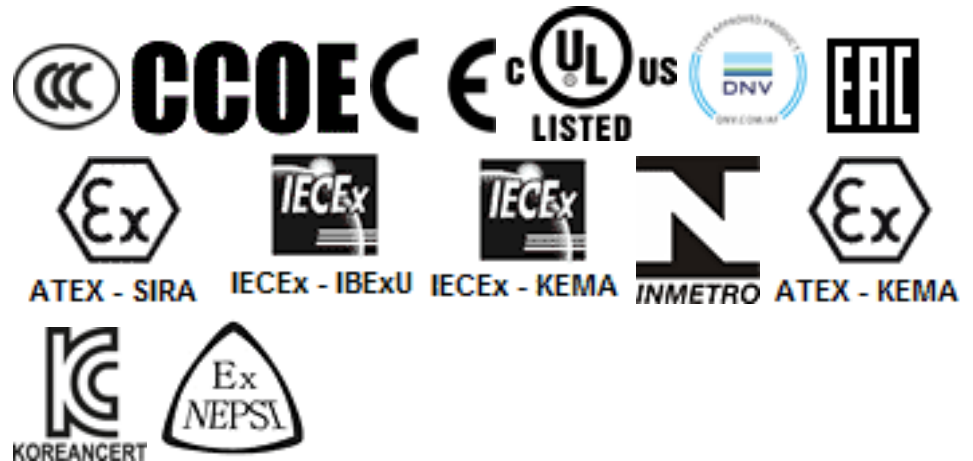
ETIM 6.0	EC002503	ETIM 7.0	EC002503
ETIM 8.0	EC002503	ECLASS 9.0	27-18-05-02
ECLASS 9.1	27-18-05-02	ECLASS 10.0	27-18-05-02
ECLASS 11.0	27-18-05-02		

Important note

Product information Minimum order quantity (20 pieces)

Approvals

Approvals



ROHS	Conform
UL File Number Search	E243298

KTB QL 303015 S4E0

Weidmüller Interface GmbH & Co. KG

Klingenbergstraße 26

D-32758 Detmold

Germany

www.weidmueller.com

Technical data

Downloads

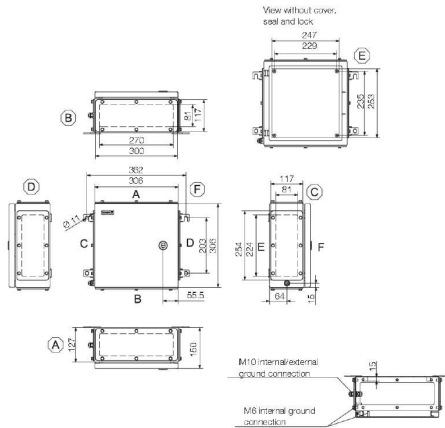
Approval/Certificate/Document of Conformity	C-DE.HB07.B.00089-Empty Enclosures and Ex. Terminal Box C-DE.AJ54.B.00251.19 Ind. Terminal Box CCC 2020322303002358 KTB Assembly Enclosure CCC 2020322303002357 KTB Empty Enclosure Attestation of Conformity - Klippon TB Empty Enclosures - AoC DE PS261X 160309 001ISS05 IEX17.0021 IEX17.0020U IBEXU14ATEX1028U IBEXU14ATEX1050 IECEXIBE14.0004U IECEXIBE14.0013 TAE000013S 15.40073.250 RUC-DE.MIO62.B.04799 GYJ14.1310X IECEXPTB11.0071 PTB11ATEX2019 16-AV4BO-245X P4610581_1 21-09-25241/E21-09-053807 EU Declaration of Conformity - Klippon TB Empty Enclosures - DoC DE PS261X 160412 001ISS03 DoM Railway applications - Fire protection on railway vehicles
Engineering Data	CAD data – STEP
Engineering Data	EPLAN, WSCAD
Tender specification	Klippon TB QL 303015 S4E0_1200010000_DE Klippon TB QL 303015 S4E0_1200010000_EN Klippon TB QL 303015 S4E0_1200010000_NL
User Documentation	Assembly guidelines - empty enclosures
Catalogues	Catalogues in PDF-format
Brochures	MB OVERV. PROCESS WD DE MB KLIPPON ENCL.TECN EN MB PROCESS EN FL WIND 2012 EN FL APPL PROCESS EN FL SHIPBUILDING 2016 EN FL RAILWAY 2014 EN PI KLIPPON TB MH QL EN

KTB QL 303015 S4E0

Weidmüller Interface GmbH & Co. KG
 Klingenbergstraße 26
 D-32758 Detmold
 Germany

www.weidmueller.com

Drawings



KTB QL 303015 S4E0

Weidmüller Interface GmbH & Co. KG
 Klingenbergstraße 26
 D-32758 Detmold
 Germany

www.weidmueller.com

Accessories

Depth 7.5 mm



General ordering data

Type	TS35X7.5 ST KTB3030 HOR	Version
Order No.	8000006722	Rail, TS 35, TS 35 x 7.5, Width: 245 mm, without slot, Steel,
GTIN (EAN)	4050118652901	galvanized, chromium-plated
Qty.	20 pc(s).	
Type	TS35X7.5 ST KTB3030 VER	Version
Order No.	8000006710	Rail, TS 35, TS 35 x 7.5, Width: 251 mm, without slot, Steel,
GTIN (EAN)	4050118652833	galvanized, chromium-plated
Qty.	20 pc(s).	

Stainless steel 1.4404 (316L)



Integrate, expand and customise: The ideal expansion for every application

The consistent structure of accessories for the new Klippon® TB enclosure range means that you can easily adapt the enclosure to the specific requirements of each application.

Rain Covers

The rain cover provides an ideal, additional level of protection for the enclosure if it is installed in unusual climatic zones with, for instance, very heavy rainfall or extreme levels of direct sunlight.

General ordering data

Type	KTB RNHD 303015 S4E R	Version
Order No.	1314120000	Klippon TB (Terminal Box), Rain hood, Height: 53.4 mm, Width: 311
GTIN (EAN)	4050118117462	mm, Depth: 160.5 mm, Material: Stainless steel 1.4404 (316L),
Qty.	1 pc(s).	electropolished, silver

KTB QL 303015 S4E0

Weidmüller Interface GmbH & Co. KG
Klingenbergstraße 26
D-32758 Detmold
Germany

www.weidmueller.com

Accessories

306 x 306mm



Integrate, expand and customise: The ideal expansion for every application

The consistent structure of accessories for the new Klippon® TB enclosure range means that you can easily adapt the enclosure to the specific requirements of each application.

Mounting plates

Mounting plates, with and without hole patterns, for longitudinal and transverse mounting of DIN mounting rails or components directly onto the mounting plate.

General ordering data

Type	KTB MOPL 3030 S2N H	Version
Order No.	1257670000	Klippon TB (Terminal Box), Mounting plate, prepunched, Height: 251
GTIN (EAN)	4050118049312	mm, Width: 245 mm, Depth: 1.5 mm, Material: Stainless steel 1.4301
Qty.	1 pc(s).	(304), untreated, silver
Type	KTB MOPL 3030 MSZN	Version
Order No.	1193960000	Klippon TB (Terminal Box), Mounting plate, Height: 251 mm, Width:
GTIN (EAN)	4050118028560	245 mm, Depth: 1.5 mm, Material: Sheet steel, galvanized, silver
Qty.	1 pc(s).	
Type	KTB MOPL 3030 S2N	Version
Order No.	1193830000	Klippon TB (Terminal Box), Mounting plate, Height: 251 mm, Width:
GTIN (EAN)	4050118028430	245 mm, Depth: 1.5 mm, Material: Stainless steel 1.4301 (304),
Qty.	1 pc(s).	untreated, silver
Type	KTB MOPL 3030 MSZN H	Version
Order No.	2022190000	Klippon TB (Terminal Box), Mounting plate, prepunched, Height:
GTIN (EAN)	4050118403466	251 mm, Width: 245 mm, Depth: 1.5 mm, Material: Sheet steel,
Qty.	1 pc(s).	galvanized, silver

Type label holder



Integrate, expand and customise: The ideal expansion for every application

The consistent structure of accessories for the new Klippon® TB enclosure range means that you can easily adapt the enclosure to the specific requirements of each application.

Nameplate holders

There are a variety of designed label holders available for prominent display as required and for additional nameplates as needed.

General ordering data

Type	TPSDHA KTB 70X70M3 S2 R	Version
Order No.	1279320000	Klippon TB (Terminal Box), Ratings plate holder, Riveted, Height: 70
GTIN (EAN)	4050118070101	mm, Width: 70 mm, Depth: 20 mm, Material: Stainless steel 1.4301,
Qty.	1 pc(s).	Mirror polished, silver
Type	TPSDHA KTB 130X50 S2 R	Version
Order No.	1283450000	Klippon TB (Terminal Box), Ratings plate holder, Riveted, Height:
GTIN (EAN)	4050118073621	50 mm, Width: 171 mm, Depth: 16.5 mm, Material: Stainless steel
Qty.	1 pc(s).	1.4301, Mirror polished, silver

Creation date January 21, 2022 9:27:14 PM CET

KTB QL 303015 S4E0

Weidmüller Interface GmbH & Co. KG
 Klingenbergstraße 26
 D-32758 Detmold
 Germany

www.weidmueller.com

Accessories

Type	TPSDHA KTB 100X25 S2 2R	Version
Order No.	1257640000	Klippon TB (Terminal Box), Ratings plate holder, Riveted, Height:
GTIN (EAN)	4050118070354	25 mm, Width: 141 mm, Depth: 16.5 mm, Material: Stainless steel
Qty.	1 pc(s).	1.4301, Mirror polished, silver

Closure elements



Integrate, expand and customise: The ideal expansion for every application

The consistent structure of accessories for the new Klippon® TB enclosure range means that you can easily adapt the enclosure to the specific requirements of each application.

Sealing systems

There are different closure systems available for the safe and orderly sealing of the enclosure. There are padlocks for the Klippon® TB MH enclosures and a variety of lock inserts for the Klippon® TB QL enclosures.

General ordering data

Type	KTB QLL S2 DB3	Version
Order No.	1191590000	Klippon TB (Terminal Box), Closure element, Material: Stainless steel
GTIN (EAN)	4050118134285	1.4301, untreated, silver
Qty.	10 pc(s).	
Type	KTB QLL S2 SLS	Version
Order No.	1191600000	Klippon TB (Terminal Box), Closure element, Material: Stainless steel
GTIN (EAN)	4050118137989	1.4301, untreated, silver
Qty.	10 pc(s).	
Type	KTB QLH S4 SLS	Version
Order No.	1191610000	Klippon TB (Terminal Box), Closure element, Material: Stainless steel
GTIN (EAN)	4050118137965	1.4404, untreated, silver
Qty.	50 pc(s).	

KTB QL 303015 S4E0

Weidmüller Interface GmbH & Co. KG
 Klingenbergstraße 26
 D-32758 Detmold
 Germany

www.weidmueller.com

Accessories

Grounding strap

The fully structured range of system accessories for the new Klippon® TB enclosure series allows you to easily adapt the enclosures to meet the specific requirements of every application. The following options are available:

- Closure Elements
- Document holders
- Earthing stud
- Gland plates
- Installation material
- Mounting plates
- Rain hoods
- Spacer
- Terminal rails
- Type label holder

General ordering data

Type	PECD WIRE 6/200/D6 SET	Version
Order No.	2475490000	Klippon TB (Terminal Box), Grounding strap, Sscrewed, Material: Steel,
GTIN (EAN)	4050118487206	Green/yellow
Qty.	1 pc(s).	

Earthing stud



Integrate, expand and customise: The ideal expansion for every application

The consistent structure of accessories for the new Klippon® TB enclosure range means that you can easily adapt the enclosure to the specific requirements of each application.

Earthing bolt

Earthing bolts to exchange as a complete component in two versions – brass and stainless steel.

General ordering data

Type	PEBZ M10 KTB S4 SET	Version
Order No.	1192690000	Klippon TB (Terminal Box), Earthing stud, Miscellaneous, Width: 48.5
GTIN (EAN)	4032248974658	mm, Material: Stainless steel 1.4404, untreated, silver
Qty.	1 pc(s).	
Type	PEBZ M10 KTB BR SET	Version
Order No.	1192680000	Klippon TB (Terminal Box), Earthing stud, Miscellaneous, Width: 48.5
GTIN (EAN)	4032248974641	mm, Material: Brass, untreated, silver
Qty.	1 pc(s).	

KTB QL 303015 S4E0

Weidmüller Interface GmbH & Co. KG
Klingenbergstraße 26
D-32758 Detmold
Germany

www.weidmueller.com

Accessories

Installation material



Integrate, expand and customise - the perfect supplement to every application

The fully structured range of system accessories for the new Klippon® TB enclosure series allows you to easily adapt the enclosures to meet the specific requirements of every application.

Mounting hardware kits

Mounting hardware kits are available for quick and easy installation of type label holders, document holders and rain hoods.

The **label fastening set – SD** is required to install a plastic (Trafolyte) ID or type label. With the aid of this set can you mount the ID or type label directly on the enclosure cover. The label fastening set has been specially developed for this purpose. Only by using this fastening set can you ensure that there will be no leaks into the enclosure or damage to the label.

The **universal fastening set – TPSD** has been developed to enable secure and quick installation of type label holders, rain covers or document holders, for example. By using this fastening set, the risk of leaks can be minimised, if not avoided.

General ordering data

Type	TPSD FIXING SET KTB	Version
Order No.	1252190000	Klippon TB (Terminal Box), Type plate fixings set, Material: Stainless
GTIN (EAN)	4050118043969	steel, rust-proof, untreated, silver
Qty.	1 pc(s).	
Type	SD FIXING SET	Version
Order No.	1285200000	Klippon TB (Terminal Box), Identification plate fixing set, Material:
GTIN (EAN)	4050118075472	Stainless steel, rust-proof, untreated, silver
Qty.	1 pc(s).	

KTB QL 303015 S4E0

Weidmüller Interface GmbH & Co. KG
 Klingenbergstraße 26
 D-32758 Detmold
 Germany

www.weidmueller.com

Accessories

Stainless steel 1.4301



Integrate, expand and customise: The ideal expansion for every application

The consistent structure of accessories for the new Klippon® TB enclosure range means that you can easily adapt the enclosure to the specific requirements of each application.

Rain Covers

The rain cover provides an ideal, additional level of protection for the enclosure if it is installed in unusual climatic zones with, for instance, very heavy rainfall or extreme levels of direct sunlight.

General ordering data

Type	KTB RNHD 303015 R	Version	
Order No.	1281390000	Klippon TB (Terminal Box), Rain hood, Height: 53.4 mm, Width: 311	
GTIN (EAN)	4050118072068	mm, Depth: 160.5 mm, Material: Stainless steel 1.4301, Mirror	
Qty.	1 pc(s).	polished, silver	

Mounting plates fastening



Integrate, expand and customise: The ideal expansion for every application

The consistent structure of accessories for the Klippon® EBi enclosure range means that you can easily adapt the enclosure to the specific requirements of each application.

General ordering data

Type	GFSC M5X10 TX20 SET	Version	
Order No.	1274150000	Klippon EBi (Essential Box industrial), Mounting screw, Material: Steel,	
GTIN (EAN)	4050118063820	galvanized, silver	
Qty.	1 pc(s).		

KTB QL 303015 S4E0

Weidmüller Interface GmbH & Co. KG
 Klingenbergstraße 26
 D-32758 Detmold
 Germany

www.weidmueller.com

Accessories

Depth 15 mm



General ordering data

Type	TS35X15 ST KTB3030 HOR	Version
Order No.	8000073111	Rail, TS 35, TS 35 x 15, Width: 245 mm, without slot, Steel, galvanic
GTIN (EAN)	4064675340614	zinc plated and passivated
Qty.	20 pc(s).	
Type	TS35X15 ST KTB3030 VER	Version
Order No.	8000073112	Rail, TS 35, TS 35 x 15, Width: 251 mm, without slot, Steel, galvanic
GTIN (EAN)	4064675340645	zinc plated and passivated
Qty.	20 pc(s).	

Document holders



Integrate, expand and customise - the perfect supplement to every application

The fully structured range of system accessories for the new Klippon® TB enclosure series allows you to easily adapt the enclosures to meet the specific requirements of every application.

Document holders

Document holders for the proper storage of documents in the enclosure

General ordering data

Type	DOHA KTB A6 S2 R	Version
Order No.	1252780000	Klippon TB (Terminal Box), Document holders, Riveted, Height: 110
GTIN (EAN)	4050118045512	mm, Width: 130 mm, Depth: 20 mm, Material: Stainless steel 1.4301,
Qty.	1 pc(s).	Mirror polished, silver

Mouser Electronics

Authorized Distributor

Click to View Pricing, Inventory, Delivery & Lifecycle Information:

[Weidmuller:](#)

[1200010000](#)