

KTB QL 221513 S4E3

Weidmüller Interface GmbH & Co. KG

Klingenbergstraße 26

D-32758 Detmold

Germany

www.weidmueller.com

Similar to illustration



Abbildung ähnlich

The Klippon® TB enclosure range provides excellent performance characteristics, even under the most difficult environmental conditions. In addition, it complies with the stricter requirements of potentially explosive atmospheres found specifically in the process or power generation industries. The Klippon® TB QL enclosure range offers further improvements to a product line that is already successfully leading the market.

The Klippon® TB QL enclosure series features the following advantages:

- Available in 12 sizes and 3 standard depths
- Equipped with up to 4 gland plates
- The gasket is protected against compression
- Quick-locking cover, comes with a slot as standard
- Improved temperature performance
- IP66 protection
- Earthing stud in the cover and base of the enclosure
- Welded mounting feet
- International approvals

General ordering data

Version	Klippon TB QL (Terminal Box - Quarter Lock), Empty enclosure, stainless steel enclosure, Height: 229 mm, Width: 152 mm, Depth: 133 mm, Gland plates: Bottom, left, right, Material: Stainless steel 1.4404 (316L), electropolished, silver
Order No.	1199880000
Type	KTB QL 221513 S4E3
GTIN (EAN)	4032248982738
Qty.	1 pc(s).

KTB QL 221513 S4E3
Weidmüller Interface GmbH & Co. KG

Klingenbergstraße 26

D-32758 Detmold

Germany

www.weidmueller.com
Technical data
Dimensions and weights

Depth	133 mm	Depth (inches)	5.236 inch
Height	229 mm	Height (inches)	9.016 inch
Width	152 mm	Width (inches)	5.984 inch
Mounting dimension - height	152 mm	Mounting dimension - width	208 mm
Net weight	3,740 g		

Temperatures

Operating temperature	Note: room temperature (service)	Limited to IP66 protection when used in temperatures greater than 105 °C.
-60 °C...135 °C		

Environmental Product Compliance

REACH SVHC	Lead 7439-92-1
------------	----------------

Cable glands, left

M12	8	M16	6
M20	3	M25	2
M32	2	M40	2
M50	0	M63	0
M75	0		

Cable glands, right

M12	8	M16	6
M20	3	M25	2
M32	2	M40	2
M50	0	M63	0
M75	0		

Cable glands, top/bottom

M12	6	M16	5
M20	2	M25	2
M32	1	M40	1
M50	0	M63	0
M75	0		

KTB QL 221513 S4E3
Weidmüller Interface GmbH & Co. KG

 Klingenbergstraße 26
 D-32758 Detmold
 Germany

www.weidmueller.com
Technical data
Certificate numbers enclosure

Approval conditions		Attestation of Conformity No. (AoC)	
	ATEX, CCoE, DNV, EAC, IECEx, INMETRO, KC, NEPSI, CCC, RMRS, UL AEx Class Div., UL AEx Class Zone, cULus		DE PS261X 160309 001ISS03
Certificate No. (ATEX)	KEMA10ATEX0051	Certificate No. (CCOE)	P461058_1
Certificate No. (DNVGL)	TAE000013S	Certificate No. (EAC)	C-DE.HB07.B.00089-20
Certificate No. (IECEX)	IECEXKEM10.0020	Certificate No. (MARITREG)	15.40075.250
Certificate No. Electronic Box (NEPSI)	2020322303003289	Certificate No. UL 508A	E223801
Certificate No. UL Haz.Loc.	E223792	Certificate No. UL Ord.Loc.	E243298
Certificate No. UL Terminal Box	E223792	Certificate no. (INMETRO)	IEX13.0007
Certificate no. (cULus)	E243298	Certificate no. Terminal Box (AEx)	E223792
Certificate no. Terminal Box (ATEX)		Certificate no. Terminal Box (EAC)	C-DE.HB07.B.00089/20 Ex Terminal Box; C-DE.A154.B.00251/19 Ind. Terminal Box
	IBExU14ATEX1050	Certificate no. Terminal Box (INMETRO)	IEx 17.0021
Certificate no. Terminal Box (IECEX)	IECEXIBE14.0013	Certificate no. empty enclosure (ATEX)	IBExU14ATEX1028 U
Certificate no. Terminal Box (KOSHA)	16-AV4BO-0245X	Certificate no. empty enclosure (INMETRO)	IEx 17.0020U
Certificate no. empty enclosure (IECEX)	IECEX IBE 14.0004U	Declaration of Conformity No. (DoC LVD)	DE PS261X 160412 001ISS02
Certificate no., empty enclosure (EAC)	C-DE.HB07.B.00089/20		

KTB QL 221513 S4E3
Weidmüller Interface GmbH & Co. KG

Klingenbergstraße 26

D-32758 Detmold

Germany

www.weidmueller.com

Technical data
General information

AF size	10 mm	Access opening: height	176 mm
Access opening: width		Areas of use	Explosive risk zone, Process industry, Oil and gas industry, Chemical industry, Offshore, Onshore
	93 mm	Enclosure attachment	4 welded-on mounting feet with 11 mm holes (2 slotted feet and 2 cross-shaped feet)
Dimension of box		Flange plate mounting	M6 hexagonal head screws 10 SW
	350x390x220	Halogen	No
Flange plate	Yes	Integral fixing	4, 6 or 9 stud bolts M6 inner (female) thread
Gland plates	Bottom, left, right	Material	Stainless steel 1.4404 (316L)
Impact resistance	7 J ATEX version, 10 J version standard	Material thickness of enclosure	1.5 mm
Lid attachment	Quarter-turn fastener with slotted insert	Max. payload	14 kg
Material thickness of cover	1.5 mm	Opening angle lid	130 °
Material thickness of flange	3 mm	Operating temperature, min.	-60 °C
Note: protection class	If used in temperature ranges above 105 °C, IP protection is limited to IP 66.	Position PE bolts	Enclosure side C
Operating temperature, max.	135 °C	Protection degree	IP66
Overall dimensions	240 x 233 x 143	Standards	DIN EN 62208 - Empty enclosure standard, DIN EN 61373 Class 1B**, DIN EN 15085-2, EN 60079-0, EN 60079-7, EN 60079-31, IEC 60079-0, IEC 60079-7, IEC 60079-31
Protection class (UL)	Type 3, Type 4x, Type 12		
Seal material			
	Silicone		
Surface finish	electropolished		

Housing earth

Earth, enclosure, internal	Welded-on M6 stainless-steel earth stud in enclosure body and lid.
----------------------------	--

horizontal assembly

WDU 10 / ZDU 10	1x7	WDU 16 / ZDU 16	1x6
WDU 2,5 / ZDU 2,5 / IDU 2,5	1x15	WDU 4 / ZDU 4	1x13
WDU 6 / ZDU 6	1x9		

vertical assembly

WDU 2,5 / ZDU 2,5 / IDU 2,5	1x29
-----------------------------	------

Classifications

ETIM 6.0	EC002503	ETIM 7.0	EC002503
ETIM 8.0	EC002503	ECLASS 9.0	27-18-05-02
ECLASS 9.1	27-18-05-02	ECLASS 10.0	27-18-05-02
ECLASS 11.0	27-18-05-02		

Creation date January 21, 2022 9:47:13 PM CET

Catalogue status 14.01.2022 / We reserve the right to make technical changes.

Data sheet

KTB QL 221513 S4E3

Weidmüller Interface GmbH & Co. KG
 Klingenbergstraße 26
 D-32758 Detmold
 Germany

www.weidmueller.com

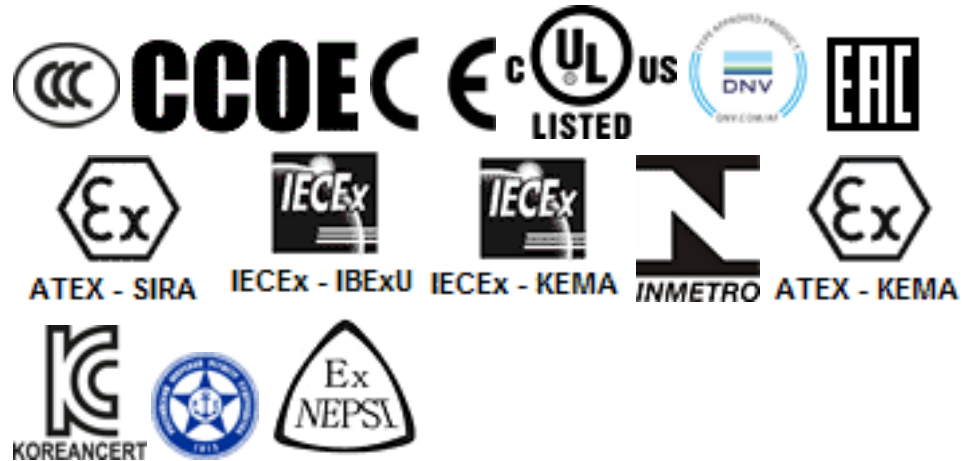
Technical data

Important note

Product information Minimum order quantity (20 pieces)

Approvals

Approvals



ROHS Conform
 UL File Number Search E243298

KTB QL 221513 S4E3

Weidmüller Interface GmbH & Co. KG

Klingenbergstraße 26

D-32758 Detmold

Germany

www.weidmueller.com

Technical data

Downloads

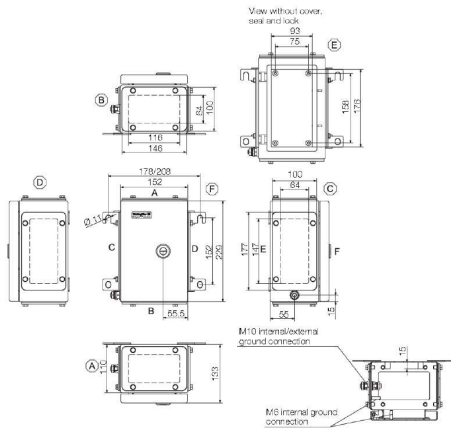
Approval/Certificate/Document of Conformity	C-DE.HB07.B.00089-Empty Enclosures and Ex. Terminal Box C-DE.AJ54.B.00251.19 Ind. Terminal Box CCC 2020322303002358 KTB Assembly Enclosure CCC 2020322303002357 KTB Empty Enclosure Attestation of Conformity - Klippon TB Empty Enclosures - AoC DE PS261X 160309 001ISS05 IEX17.0021 IEX17.0020U IBEXU14ATEX1028U IBEXU14ATEX1050 IECEXIBE14.0004U IECEXIBE14.0013 TAE000013S 15.40073.250 RUC-DE.MIO62.B.04799 GYJ14.1310X IECEXPTB11.0071 PTB11ATEX2019 16-AV4BO-245X P4610581_1 21-09-25241/E2 1-09-053807 EU Declaration of Conformity - Klippon TB Empty Enclosures - DoC DE PS261X 160412 001ISS03 DoM Railway applications - Fire protection on railway vehicles
Engineering Data	CAD data – STEP
Engineering Data	EPLAN, WSCAD
Tender specification	Klippon TB QL 221513 S4E3_1199880000_DE Klippon TB QL 221513 S4E3_1199880000_EN Klippon TB QL 221513 S4E3_1199880000_NL
User Documentation	Assembly guidelines - empty enclosures
Catalogues	Catalogues in PDF-format
Brochures	MB OVERV. PROCESS WD DE MB KLIPPON ENCL.TECN EN MB PROCESS EN FL WIND 2012 EN FL APPL PROCESS EN FL SHIPBUILDING 2016 EN FL RAILWAY 2014 EN PI KLIPPON TB MH QL EN PI KLIPPON TB MH QL EN

KTB QL 221513 S4E3

Weidmüller Interface GmbH & Co. KG
Klingenbergstraße 26
D-32758 Detmold
Germany

Drawings

www.weidmueller.com



KTB QL 221513 S4E3

Weidmüller Interface GmbH & Co. KG
 Klingenbergstraße 26
 D-32758 Detmold
 Germany

www.weidmueller.com

Accessories

Depth 7.5 mm



General ordering data

Type	TS35X7.5 ST KTB2215 VER	Version
Order No.	8000006708	Rail, TS 35, TS 35 x 7.5, Width: 174 mm, without slot, Steel, galvanized, chromium-plated
GTIN (EAN)	4050118652819	
Qty.	20 pc(s).	
Type	TS35X7.5 ST KTB2215 HOR	Version
Order No.	8000006720	Rail, TS 35, TS 35 x 7.5, Width: 91 mm, without slot, Steel, galvanized, chromium-plated
GTIN (EAN)	4050118652888	
Qty.	20 pc(s).	

Type label holder



Integrate, expand and customise: The ideal expansion for every application

The consistent structure of accessories for the new Klippon® TB enclosure range means that you can easily adapt the enclosure to the specific requirements of each application.

Nameplate holders

There are a variety of designed label holders available for prominent display as required and for additional nameplates as needed.

General ordering data

Type	TPSDHA KTB 70X70M3 S2 R	Version
Order No.	1279320000	Klippon TB (Terminal Box), Ratings plate holder, Riveted, Height: 70 mm, Width: 70 mm, Depth: 20 mm, Material: Stainless steel 1.4301, Mirror polished, silver
GTIN (EAN)	4050118070101	
Qty.	1 pc(s).	

KTB QL 221513 S4E3

Weidmüller Interface GmbH & Co. KG
 Klingenbergstraße 26
 D-32758 Detmold
 Germany

www.weidmueller.com

Accessories

Closure elements



Integrate, expand and customise: The ideal expansion for every application

The consistent structure of accessories for the new Klippon® TB enclosure range means that you can easily adapt the enclosure to the specific requirements of each application.

Sealing systems

There are different closure systems available for the safe and orderly sealing of the enclosure. There are padlocks for the Klippon® TB MH enclosures and a variety of lock inserts for the Klippon® TB QL enclosures.

General ordering data

Type	KTB QLL S2 DB3	Version
Order No.	1191590000	Klippon TB (Terminal Box), Closure element, Material: Stainless steel
GTIN (EAN)	4050118134285	1.4301, untreated, silver
Qty.	10 pc(s).	
Type	KTB QLL S2 SLS	Version
Order No.	1191600000	Klippon TB (Terminal Box), Closure element, Material: Stainless steel
GTIN (EAN)	4050118137989	1.4301, untreated, silver
Qty.	10 pc(s).	
Type	KTB QLH S4 SLS	Version
Order No.	1191610000	Klippon TB (Terminal Box), Closure element, Material: Stainless steel
GTIN (EAN)	4050118137965	1.4404, untreated, silver
Qty.	50 pc(s).	

KTB QL 221513 S4E3

Weidmüller Interface GmbH & Co. KG
Klingenbergstraße 26
D-32758 Detmold
Germany

www.weidmueller.com

Accessories

Installation material



Integrate, expand and customise - the perfect supplement to every application

The fully structured range of system accessories for the new Klippon® TB enclosure series allows you to easily adapt the enclosures to meet the specific requirements of every application.

Mounting hardware kits

Mounting hardware kits are available for quick and easy installation of type label holders, document holders and rain hoods.

The **label fastening set – SD** is required to install a plastic (Trafolyte) ID or type label. With the aid of this set can you mount the ID or type label directly on the enclosure cover. The label fastening set has been specially developed for this purpose. Only by using this fastening set can you ensure that there will be no leaks into the enclosure or damage to the label.

The **universal fastening set – TPSD** has been developed to enable secure and quick installation of type label holders, rain covers or document holders, for example. By using this fastening set, the risk of leaks can be minimised, if not avoided.

General ordering data

Type	TPSD FIXING SET KTB	Version
Order No.	1252190000	Klippon TB (Terminal Box), Type plate fixings set, Material: Stainless
GTIN (EAN)	4050118043969	steel, rust-proof, untreated, silver
Qty.	1 pc(s).	
Type	SD FIXING SET	Version
Order No.	1285200000	Klippon TB (Terminal Box), Identification plate fixing set, Material:
GTIN (EAN)	4050118075472	Stainless steel, rust-proof, untreated, silver
Qty.	1 pc(s).	

229 x 152mm



Integrate, expand and customise: The ideal expansion for every application

The consistent structure of accessories for the new Klippon® TB enclosure range means that you can easily adapt the enclosure to the specific requirements of each application.

Mounting plates

Mounting plates, with and without hole patterns, for longitudinal and transverse mounting of DIN mounting rails or components directly onto the mounting plate.

General ordering data

Type	KTB MOPL 2215 MSZN H	Version
Order No.	2022050000	Klippon TB (Terminal Box), Mounting plate, prepunched, Height: 174
GTIN (EAN)	4050118403442	mm, Width: 91 mm, Depth: 1.5 mm, Material: Sheet steel, galvanized,
Qty.	1 pc(s).	silver

Creation date January 21, 2022 9:47:13 PM CET

KTB QL 221513 S4E3

Weidmüller Interface GmbH & Co. KG
 Klingenbergstraße 26
 D-32758 Detmold
 Germany

www.weidmueller.com

Accessories

Type	KTB MOPL 22 15 S2N H	Version
Order No.	1257650000	Klippon TB (Terminal Box), Mounting plate, prepunched, Height: 174 mm, Width: 91 mm, Depth: 1.5 mm, Material: Stainless steel 1.4301 (304), untreated, silver
GTIN (EAN)	4050118049305	
Qty.	1 pc(s).	
Type	KTB MOPL 22 15 S2N	Version
Order No.	1193810000	Klippon TB (Terminal Box), Mounting plate, Height: 174 mm, Width: 91 mm, Depth: 1.5 mm, Material: Stainless steel 1.4301 (304), untreated, silver
GTIN (EAN)	4050118028409	
Qty.	1 pc(s).	
Type	KTB MOPL 22 15 MSZN	Version
Order No.	1193930000	Klippon TB (Terminal Box), Mounting plate, Height: 174 mm, Width: 91 mm, Depth: 1.5 mm, Material: Sheet steel, galvanized, silver
GTIN (EAN)	4050118028546	
Qty.	1 pc(s).	

Mounting plates fastening



Integrate, expand and customise: The ideal expansion for every application

The consistent structure of accessories for the Klippon® EBi enclosure range means that you can easily adapt the enclosure to the specific requirements of each application.

General ordering data

Type	GFSC M5X10 TX20 SET	Version
Order No.	1274150000	Klippon EBi (Essential Box industrial), Mounting screw, Material: Steel, galvanized, silver
GTIN (EAN)	4050118063820	
Qty.	1 pc(s).	

Gland plates made out of stainless steel - 6 mm



Integrate, expand and customise: The ideal expansion for every application

The consistent structure of accessories for the new Klippon® TB enclosure range means that you can easily adapt the enclosure to the specific requirements of each application.

Flange plates

Flange plates in two thicknesses, for easy replacement of pre-assembl

General ordering data

Type	KTB GP 221513 CD S4 6MM	Version
Order No.	1256280000	Klippon TB (Terminal Box), flange plate, Height: 177 mm, Width: 100 mm, Depth: 6 mm, Gland plates: left, right, Material: Stainless steel 1.4404, electropolished, silver
GTIN (EAN)	4050118093704	
Qty.	1 pc(s).	

KTB QL 221513 S4E3**Weidmüller Interface GmbH & Co. KG**

Klingenbergstraße 26

D-32758 Detmold

Germany

www.weidmueller.com

Accessories

Type	KTB GP 221513 AB S4 6MM	Version
Order No.	1256270000	Klippon TB (Terminal Box), flange plate, Height: 146 mm, Width: 100
GTIN (EAN)	4050118092592	mm, Depth: 6 mm, Gland plates: top, Bottom, Material: Stainless steel
Qty.	1 pc(s).	1.4404, electropolished, silver

Stainless steel 1.4404 (316L)**Integrate, expand and customise: The ideal expansion for every application**

The consistent structure of accessories for the new Klippon® TB enclosure range means that you can easily adapt the enclosure to the specific requirements of each application.

Rain Covers

The rain cover provides an ideal, additional level of protection for the enclosure if it is installed in unusual climatic zones with, for instance, very heavy rainfall or extreme levels of direct sunlight.

General ordering data

Type	KTB RNHD 221513 S4E R	Version
Order No.	1314090000	Klippon TB (Terminal Box), Rain hood, Height: 50.9 mm, Width: 157
GTIN (EAN)	4050118117332	mm, Depth: 142.8 mm, Material: Stainless steel 1.4404 (316L),
Qty.	1 pc(s).	electropolished, silver

Grounding strap

The fully structured range of system accessories for the new Klippon® TB enclosure series allows you to easily adapt the enclosures to meet the specific requirements of every application. The following options are available:

- Closure Elements
- Document holders
- Earthing stud
- Gland plates
- Installation material
- Mounting plates
- Rain hoods
- Spacer
- Terminal rails
- Type label holder

General ordering data

Type	PECD WIRE 6/200/D6 SET	Version
Order No.	2475490000	Klippon TB (Terminal Box), Grounding strap, Sscrewed, Material: Steel,
GTIN (EAN)	4050118487206	Green/yellow
Qty.	1 pc(s).	

KTB QL 221513 S4E3

Weidmüller Interface GmbH & Co. KG
 Klingenbergstraße 26
 D-32758 Detmold
 Germany

www.weidmueller.com

Accessories

Earthing stud



Integrate, expand and customise: The ideal expansion for every application

The consistent structure of accessories for the new Klippon® TB enclosure range means that you can easily adapt the enclosure to the specific requirements of each application.

Earthing bolt

Earthing bolts to exchange as a complete component in two versions – brass and stainless steel.

General ordering data

Type	PEBZ M10 KTB S4 SET	Version
Order No.	1192690000	Klippon TB (Terminal Box), Earthing stud, Miscellaneous, Width: 48.5
GTIN (EAN)	4032248974658	mm, Material: Stainless steel 1.4404, untreated, silver
Qty.	1 pc(s).	
Type	PEBZ M10 KTB BR SET	Version
Order No.	1192680000	Klippon TB (Terminal Box), Earthing stud, Miscellaneous, Width: 48.5
GTIN (EAN)	4032248974641	mm, Material: Brass, untreated, silver
Qty.	1 pc(s).	

Gland plates without earthing studs



Integrate, expand and customise: The ideal expansion for every application

The consistent structure of accessories for the new Klippon® TB enclosure range means that you can easily adapt the enclosure to the specific requirements of each application.

Flange plates

Flange plates in two thicknesses, for easy replacement of pre-assembl

General ordering data

Type	KTB GP 221513 CD S4	Version
Order No.	1280900000	Klippon TB (Terminal Box), flange plate, Height: 177 mm, Width: 100
GTIN (EAN)	4050118071757	mm, Depth: 3 mm, Gland plates: left, right, Material: Stainless steel
Qty.	1 pc(s).	1.4404, electropolished, silver
Type	KTB GP 221513 AB S4	Version
Order No.	1280890000	Klippon TB (Terminal Box), flange plate, Height: 146 mm, Width: 100
GTIN (EAN)	4050118071627	mm, Depth: 3 mm, Gland plates: top, Bottom, Material: Stainless steel
Qty.	1 pc(s).	1.4404, electropolished, silver

KTB QL 221513 S4E3

Weidmüller Interface GmbH & Co. KG
 Klingenbergstraße 26
 D-32758 Detmold
 Germany

www.weidmueller.com

Accessories

Gland plates with earthing studs



Integrate, expand and customise: The ideal expansion for every application

The consistent structure of accessories for the new Klippon® TB enclosure range means that you can easily adapt the enclosure to the specific requirements of each application.

Flange plates

Flange plates in two thicknesses, for easy replacement of pre-assembl

General ordering data

Type	KTB GP 221513 CD S4 PE	Version
Order No.	2022900000	Klippon TB (Terminal Box), flange plate, Height: 177 mm, Width: 100
GTIN (EAN)	4050118403510	mm, Depth: 3 mm, Gland plates: left, right, Material: Stainless steel
Qty.	1 pc(s).	1.4404, electropolished, silver
Type	KTB GP 221513 AB S4 PE	Version
Order No.	2022770000	Klippon TB (Terminal Box), flange plate, Height: 146 mm, Width: 100
GTIN (EAN)	4050118403916	mm, Depth: 3 mm, Gland plates: top, Bottom, Material: Stainless steel
Qty.	1 pc(s).	1.4404, electropolished, silver

Stainless steel 1.4301



Integrate, expand and customise: The ideal expansion for every application

The consistent structure of accessories for the new Klippon® TB enclosure range means that you can easily adapt the enclosure to the specific requirements of each application.

Rain Covers

The rain cover provides an ideal, additional level of protection for the enclosure if it is installed in unusual climatic zones with, for instance, very heavy rainfall or extreme levels of direct sunlight.

General ordering data

Type	KTB RNHD 221513 R	Version
Order No.	1281360000	Klippon TB (Terminal Box), Rain hood, Height: 50.9 mm, Width: 157
GTIN (EAN)	4050118072075	mm, Depth: 142.8 mm, Material: Stainless steel 1.4301, Mirror
Qty.	1 pc(s).	polished, silver

Data sheet

KTB QL 221513 S4E3

Weidmüller Interface GmbH & Co. KG
 Klingenbergstraße 26
 D-32758 Detmold
 Germany

www.weidmueller.com

Accessories

Depth 15 mm



General ordering data

Type	TS35X15 ST KTB2215 HOR	Version
Order No.	8000073108	Rail, TS 35, TS 35 x 15, Width: 91 mm, without slot, Steel, galvanic
GTIN (EAN)	4064675340584	zinc plated and passivated
Qty.	20 pc(s).	
Type	TS35X15 ST KTB2215 VER	Version
Order No.	8000073109	Rail, TS 35, TS 35 x 15, Width: 174 mm, without slot, Steel, galvanic
GTIN (EAN)	4064675340591	zinc plated and passivated
Qty.	20 pc(s).	

Mouser Electronics

Authorized Distributor

Click to View Pricing, Inventory, Delivery & Lifecycle Information:

[Weidmuller:](#)

[1199880000](#)