

KTB FS 262615 S4E4

Weidmüller Interface GmbH & Co. KG

Klingenbergstraße 26

D-32758 Detmold

Germany

www.weidmueller.com

Similar to illustration



Abbildung ähnlich

The Klippon® TB enclosure range provides excellent performance characteristics, even under the most difficult environmental conditions. In addition, it complies with the stricter requirements of potentially explosive atmospheres found in process or power generation industries. The Klippon® TB FS enclosure range offers further improvements to a product line that is already successfully leading the market.

The Klippon® TB FS enclosure range features the following advantages:

- Available in 12 sizes and 3 standard depths
- Equipped with up to 4 gland plates
- The gasket is protected against compression
- Cover lock outside the sealed zone
- Improved temperature performance
- IP66/IP67 protection
- Earthing stud in the cover and base of the enclosure
- Welded mounting feet

General ordering data

Version	Klippon TB FS (Terminal Box - Fixing Screw), Empty enclosure, stainless steel enclosure, Height: 260 mm, Width: 260 mm, Depth: 150 mm, Gland plates: Bottom, top, left, right, Material: Stainless steel 1.4404 (316L), electropolished, silver
Order No.	1195740000
Type	KTB FS 262615 S4E4
GTIN (EAN)	4032248978731
Qty.	1 pc(s).

KTB FS 262615 S4E4
Weidmüller Interface GmbH & Co. KG

Klingenbergstraße 26

D-32758 Detmold

Germany

www.weidmueller.com

Technical data
Dimensions and weights

Depth	150 mm	Depth (inches)	5.905 inch
Height	260 mm	Height (inches)	10.236 inch
Width	260 mm	Width (inches)	10.236 inch
Mounting dimension - height	170 mm	Mounting dimension - width	316 mm
Net weight	7,320 g		

Temperatures

Operating temperature	Note: room temperature (service)	Limited to IP66 protection when used in temperatures greater than 105 °C.
-60 °C...135 °C		

Environmental Product Compliance

REACH SVHC	Lead 7439-92-1
------------	----------------

Cable glands, left

M12	15	M16	8
M20	7	M25	3
M32	2	M40	2
M50	2	M63	0
M75	0		

Cable glands, right

M12	15	M16	8
M20	7	M25	3
M32	2	M40	2
M50	2	M63	0
M75	0		

Cable glands, top/bottom

M12	20	M16	11
M20	9	M25	4
M32	3	M40	3
M50	2	M63	0
M75	0		

KTB FS 262615 S4E4
Weidmüller Interface GmbH & Co. KG

 Klingenbergstraße 26
 D-32758 Detmold
 Germany

www.weidmueller.com
Technical data
Certificate numbers enclosure

Approval conditions	ATEX, CCoE, DNV, EAC, IECEx, INMETRO, KC, NEPSI, CCC, RMRS, UL AEx Class Div., UL AEx Class Zone, cULus	Attestation of Conformatiy No. (AoC)	DE PS261X 160309 001ISS03
Certificate No. (ATEX)	KEMA10ATEX0046U	Certificate No. (CCOE)	CCOEP267536/2
Certificate No. (DNVGL)	TAE000013S	Certificate No. (EAC)	C-DE.HB07.B.00089-20
Certificate No. (IECEX)	IECEXKEM10.0015U	Certificate No. Electronic Box (NEPSI)	2020322303003289
Certificate No. UL 508A	E223801	Certificate No. UL Haz.Loc.	E223792
Certificate No. UL Ord.Loc.	E243298	Certificate No. UL Terminal Box	E223792
Certificate no. (INMETRO)	IEX13.0006U	Certificate no. (cULus)	E256877
Certificate no. Terminal Box (AEx)	E223792	Certificate no. Terminal Box (ATEX)	IBExU14ATEX1050
Certificate no. Terminal Box (EAC)	C-DE.HB07.B.00089/20 Ex Terminal Box; C-DE.AD54.B.00251/19 Ind. Terminal Box	Certificate no. Terminal Box (IECEX)	IECEXIBE14.0013
Certificate no. Terminal Box (INMETRO)	IEX 17.0021	Certificate no. Terminal Box (KOSHA)	16-AV4B0-0245X
Certificate no. empty enclosure (ATEX)	IBExU14ATEX1028 U	Certificate no. empty enclosure (IECEX)	IECEX IBE 14.0004U
Certificate no. empty enclosure (INMETRO)	IEX 17.0020U	Certificate no., empty enclosure (EAC)	C-DE.HB07.B.00089/20
Declaration of Conformatiy No. (DoC LVD)	DE PS261X 160412 001ISS02		

General information

AF size	10 mm	Access opening: height	230 mm
Access opening: width	230 mm	Areas of use	Explosive risk zone, Process industry, Oil and gas industry, Chemical industry, Offshore, Onshore
Dimension of box	320x455x240	Enclosure attachment	4 welded-on mounting feet with 11 mm holes (2 slotted feet and 2 cross-shaped feet)
Flange plate	Yes	Flange plate mounting	M6 hexagonal head screws 10 SW
Gland plates	Bottom, top, left, right	Halogen	No
Impact resistance	7 J ATEX version, 10 J version standard	Integral fixing	4, 6 or 9 stud bolts M6 inner (female) thread
Lid attachment	M6 hex-head slotted screws SW10	Material	Stainless steel 1.4404 (316L)
Material thickness of cover	1.5 mm	Material thickness of enclosure	1.5 mm
Material thickness of flange	3 mm	Max. payload	27 kg
Note: protection class	If used in temperature ranges above 105 °C, IP protection is limited to IP 66.	Number of lid screws	4
Operating temperature, max.	135 °C	Operating temperature, min.	-60 °C
Overall dimensions	282 x 341 x 158.5	Position PE bolts	Enclosure side C
Protection class (UL)	Type 3, Type 4x, Type 12	Protection degree	IP66, IP67
Seal material	Silicone	Standards	DIN EN 62208 - Empty enclosure standard, DIN EN 15085-2, EN 60079-0, EN 60079-7, EN 60079-31, IEC 60079-0, IEC 60079-7, IEC 60079-31
Surface finish	electropolished	Torque for lid screws	2.5 Nm

Creation date January 21, 2022 8:00:14 PM CET

Catalogue status 14.01.2022 / We reserve the right to make technical changes.

KTB FS 262615 S4E4

Weidmüller Interface GmbH & Co. KG
 Klingenbergstraße 26
 D-32758 Detmold
 Germany

www.weidmueller.com

Technical data

Housing earth

Earth, enclosure, internal
 Welded-on M6 stainless-steel earth stud in enclosure body and lid., Continuous M10 earth stud in body enclosure

horizontal assembly

WDU 10 / ZDU 10	1x17	WDU 16 / ZDU 16	1x14
WDU 2,5 / ZDU 2,5 / IDU 2,5	2x34	WDU 35 / ZDU 35	1x10
WDU 4 / ZDU 4	1x29	WDU 6 / ZDU 6	1x22

vertical assembly

WDU 10 / ZDU 10	1x18	WDU 16 / ZDU 16	1x15
WDU 2,5 / ZDU 2,5 / IDU 2,5	2x35	WDU 35 / ZDU 35	1x10
WDU 4 / ZDU 4	1x30	WDU 6 / ZDU 6	1x22

Classifications

ETIM 6.0	EC002503	ETIM 7.0	EC002503
ETIM 8.0	EC002503	ECLASS 9.0	27-18-05-02
ECLASS 9.1	27-18-05-02	ECLASS 10.0	27-18-05-02
ECLASS 11.0	27-18-05-02		

Important note

Product information Minimum order quantity (20 pieces)

Approvals

Approvals



UL File Number Search E256877

KTB FS 262615 S4E4

Weidmüller Interface GmbH & Co. KG

Klingenbergstraße 26

D-32758 Detmold

Germany

www.weidmueller.com

Technical data

Downloads

Approval/Certificate/Document of Conformity	C-DE.HB07.B.00089-Empty Enclosures and Ex. Terminal Box C-DE.AJ54.B.00251.19 Ind. Terminal Box CCC 2020322303002358 KTB Assembly Enclosure CCC 2020322303002357 KTB Empty Enclosure Attestation of Conformity - Klippon TB Empty Enclosures - AoC DE PS261X 160309 001ISS05 IEX17.0021 IEX17.0020U IBEXU14ATEX1028U IBEXU14ATEX1050 IECEXIBE14.0004U IECEXIBE14.0013 TAE000013S 15.40073.250 RUC-DE.MIO62.B.04799 GYJ14.1310X IECEXPTB11.0071 PTB11ATEX2019 16-AV4BO-245X P4610581_1 21-09-25241/E21-09-053807 EU Declaration of Conformity - Klippon TB Empty Enclosures - DoC DE PS261X 160412 001ISS03
Engineering Data	CAD data – STEP
Engineering Data	EPLAN, WSCAD
Tender specification	Klippon TB FS 262615 S4E4_1195740000_NL Klippon TB FS 262615 S4E4_1195740000_DE Klippon TB FS 262615 S4E4_1195740000_EN
User Documentation	Assembly guidelines - empty enclosures
Catalogues	Catalogues in PDF-format
Brochures	MB OVERV. PROCESS WD DE MB KLIPPON ENCL.TECN EN MB PROCESS EN FL WIND 2012 EN FL APPL PROCESS EN FL SHIPBUILDING 2016 EN FL RAILWAY 2014 EN PI KLIPPON TB MH QL EN

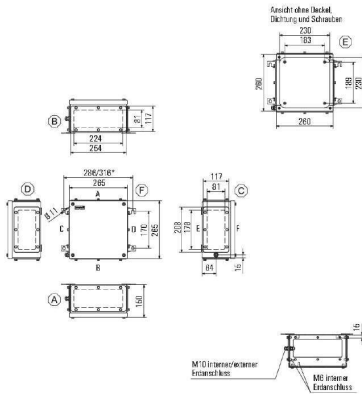
KTB FS 262615 S4E4

Weidmüller Interface GmbH & Co. KG
 Klingenbergstraße 26
 D-32758 Detmold
 Germany

Drawings

www.weidmueller.com

Dimensioned drawing



KTB FS 262615 S4E4

Weidmüller Interface GmbH & Co. KG

Klingenbergstraße 26

D-32758 Detmold

Germany

www.weidmueller.com

Accessories

Depth 7.5 mm



General ordering data

Type	TS35X7.5 ST KTB2626 VER	Version
Order No.	8000006709	Rail, TS 35, TS 35 x 7.5, Width: 205 mm, without slot, Steel, galvanic zinc plated and passivated
GTIN (EAN)	4050118652826	
Qty.	20 pc(s).	
Type	TS35X7.5 ST KTB3526 HOR	Version
Order No.	8000006721	Rail, TS 35, TS 35 x 7.5, Width: 199 mm, without slot, Steel, galvanized, chromium-plated
GTIN (EAN)	4050118652895	
Qty.	20 pc(s).	

Type label holder

**Integrate, expand and customise: The ideal expansion for every application**

The consistent structure of accessories for the new Klippon® TB enclosure range means that you can easily adapt the enclosure to the specific requirements of each application.

Nameplate holders

There are a variety of designed label holders available for prominent display as required and for additional nameplates as needed.

General ordering data

Type	TPSDHA KTB 70X70M3 S2 R	Version
Order No.	1279320000	Klippon TB (Terminal Box), Ratings plate holder, Riveted, Height: 70 mm, Width: 70 mm, Depth: 20 mm, Material: Stainless steel 1.4301, Mirror polished, silver
GTIN (EAN)	4050118070101	
Qty.	1 pc(s).	
Type	TPSDHA KTB 130X50 S2 R	Version
Order No.	1283450000	Klippon TB (Terminal Box), Ratings plate holder, Riveted, Height: 50 mm, Width: 171 mm, Depth: 16.5 mm, Material: Stainless steel 1.4301, Mirror polished, silver
GTIN (EAN)	4050118073621	
Qty.	1 pc(s).	
Type	TPSDHA KTB 100X25 S2 2R	Version
Order No.	1257640000	Klippon TB (Terminal Box), Ratings plate holder, Riveted, Height: 25 mm, Width: 141 mm, Depth: 16.5 mm, Material: Stainless steel 1.4301, Mirror polished, silver
GTIN (EAN)	4050118070354	
Qty.	1 pc(s).	

KTB FS 262615 S4E4

Weidmüller Interface GmbH & Co. KG
 Klingenbergstraße 26
 D-32758 Detmold
 Germany

www.weidmueller.com

Accessories

260 x 260mm



Integrate, expand and customise: The ideal expansion for every application

The consistent structure of accessories for the new Klippon® TB enclosure range means that you can easily adapt the enclosure to the specific requirements of each application.

Mounting plates

Mounting plates, with and without hole patterns, for longitudinal and transverse mounting of DIN mounting rails or components directly onto the mounting plate.

General ordering data

Type	KTB MOPL 2626 MSZN H	Version
Order No.	2022060000	Klippon TB (Terminal Box), Mounting plate, prepunched, Height:
GTIN (EAN)	4050118403503	205 mm, Width: 199 mm, Depth: 1.5 mm, Material: Sheet steel,
Qty.	1 pc(s).	galvanized, silver
Type	KTB MOPL 2626 S2N	Version
Order No.	1193820000	Klippon TB (Terminal Box), Mounting plate, Height: 205 mm, Width:
GTIN (EAN)	4050118028423	199 mm, Depth: 1.5 mm, Material: Stainless steel 1.4301 (304),
Qty.	1 pc(s).	untreated, silver
Type	KTB MOPL 2626 S2N H	Version
Order No.	1257660000	Klippon TB (Terminal Box), Mounting plate, prepunched, Height: 205
GTIN (EAN)	4050118049084	mm, Width: 199 mm, Depth: 1.5 mm, Material: Stainless steel 1.4301
Qty.	1 pc(s).	(304), untreated, silver
Type	KTB MOPL 2626 MSZN	Version
Order No.	1193950000	Klippon TB (Terminal Box), Mounting plate, Height: 205 mm, Width:
GTIN (EAN)	4050118028119	199 mm, Depth: 1.5 mm, Material: Sheet steel, galvanized, silver
Qty.	1 pc(s).	

KTB FS 262615 S4E4

Weidmüller Interface GmbH & Co. KG
Klingenbergstraße 26
D-32758 Detmold
Germany

www.weidmueller.com

Accessories

Installation material



Integrate, expand and customise - the perfect supplement to every application

The fully structured range of system accessories for the new Klippon® TB enclosure series allows you to easily adapt the enclosures to meet the specific requirements of every application.

Mounting hardware kits

Mounting hardware kits are available for quick and easy installation of type label holders, document holders and rain hoods.

The **label fastening set – SD** is required to install a plastic (Trafolyte) ID or type label. With the aid of this set can you mount the ID or type label directly on the enclosure cover. The label fastening set has been specially developed for this purpose. Only by using this fastening set can you ensure that there will be no leaks into the enclosure or damage to the label.

The **universal fastening set – TPSD** has been developed to enable secure and quick installation of type label holders, rain covers or document holders, for example. By using this fastening set, the risk of leaks can be minimised, if not avoided.

General ordering data

Type	TPSD FIXING SET KTB	Version
Order No.	1252190000	Klippon TB (Terminal Box), Type plate fixings set, Material: Stainless
GTIN (EAN)	4050118043969	steel, rust-proof, untreated, silver
Qty.	1 pc(s).	
Type	SD FIXING SET	Version
Order No.	1285200000	Klippon TB (Terminal Box), Identification plate fixing set, Material:
GTIN (EAN)	4050118075472	Stainless steel, rust-proof, untreated, silver
Qty.	1 pc(s).	

Mounting plates fastening



Integrate, expand and customise: The ideal expansion for every application

The consistent structure of accessories for the Klippon® EBi enclosure range means that you can easily adapt the enclosure to the specific requirements of each application.

General ordering data

Type	GFSC M5X10 TX20 SET	Version
Order No.	1274150000	Klippon EBi (Essential Box industrial), Mounting screw, Material: Steel,
GTIN (EAN)	4050118063820	galvanized, silver
Qty.	1 pc(s).	

KTB FS 262615 S4E4

Weidmüller Interface GmbH & Co. KG
 Klingenbergstraße 26
 D-32758 Detmold
 Germany

www.weidmueller.com

Accessories

Gland plates made out of stainless steel - 6 mm



Integrate, expand and customise: The ideal expansion for every application

The consistent structure of accessories for the new Klippon® TB enclosure range means that you can easily adapt the enclosure to the specific requirements of each application.

Flange plates

Flange plates in two thicknesses, for easy replacement of pre-assembl

General ordering data

Type	KTB GP 262615 AB S4 6MM	Version
Order No.	1256290000	Klippon TB (Terminal Box), flange plate, Height: 254 mm, Width: 117
GTIN (EAN)	4050118093711	mm, Depth: 6 mm, Gland plates: top, Bottom, Material: Stainless steel
Qty.	1 pc(s).	1.4404, electropolished, silver
Type	KTB GP 262615 CD S4 6MM	Version
Order No.	1256310000	Klippon TB (Terminal Box), flange plate, Height: 208 mm, Width: 117
GTIN (EAN)	4050118093728	mm, Depth: 6 mm, Gland plates: left, right, Material: Stainless steel
Qty.	1 pc(s).	1.4404, electropolished, silver

Stainless steel 1.4404 (316L)



Integrate, expand and customise: The ideal expansion for every application

The consistent structure of accessories for the new Klippon® TB enclosure range means that you can easily adapt the enclosure to the specific requirements of each application.

Rain Covers

The rain cover provides an ideal, additional level of protection for the enclosure if it is installed in unusual climatic zones with, for instance, very heavy rainfall or extreme levels of direct sunlight.

General ordering data

Type	KTB RNHD 262615 S4E R	Version
Order No.	1314100000	Klippon TB (Terminal Box), Rain hood, Height: 53.9 mm, Width: 265
GTIN (EAN)	4050118117455	mm, Depth: 160.5 mm, Material: Stainless steel 1.4404 (316L),
Qty.	1 pc(s).	electropolished, silver

KTB FS 262615 S4E4

Weidmüller Interface GmbH & Co. KG
 Klingenbergstraße 26
 D-32758 Detmold
 Germany

www.weidmueller.com

Accessories

Grounding strap

The fully structured range of system accessories for the new Klippon® TB enclosure series allows you to easily adapt the enclosures to meet the specific requirements of every application. The following options are available:

- Closure Elements
- Document holders
- Earthing stud
- Gland plates
- Installation material
- Mounting plates
- Rain hoods
- Spacer
- Terminal rails
- Type label holder

General ordering data

Type	PECD WIRE 6/200/D6 SET	Version
Order No.	2475490000	Klippon TB (Terminal Box), Grounding strap, Sscrewed, Material: Steel,
GTIN (EAN)	4050118487206	Green/yellow
Qty.	1 pc(s).	

Earthing stud



Integrate, expand and customise: The ideal expansion for every application

The consistent structure of accessories for the new Klippon® TB enclosure range means that you can easily adapt the enclosure to the specific requirements of each application.

Earthing bolt

Earthing bolts to exchange as a complete component in two versions – brass and stainless steel.

General ordering data

Type	PEBZ M10 KTB S4 SET	Version
Order No.	1192690000	Klippon TB (Terminal Box), Earthing stud, Miscellaneous, Width: 48.5
GTIN (EAN)	4032248974658	mm, Material: Stainless steel 1.4404, untreated, silver
Qty.	1 pc(s).	
Type	PEBZ M10 KTB BR SET	Version
Order No.	1192680000	Klippon TB (Terminal Box), Earthing stud, Miscellaneous, Width: 48.5
GTIN (EAN)	4032248974641	mm, Material: Brass, untreated, silver
Qty.	1 pc(s).	

KTB FS 262615 S4E4

Weidmüller Interface GmbH & Co. KG
 Klingenbergstraße 26
 D-32758 Detmold
 Germany

www.weidmueller.com

Accessories

Gland plates without earthing studs



Integrate, expand and customise: The ideal expansion for every application

The consistent structure of accessories for the new Klippon® TB enclosure range means that you can easily adapt the enclosure to the specific requirements of each application.

Flange plates

Flange plates in two thicknesses, for easy replacement of pre-assembl

General ordering data

Type	KTB GP 262615 CD S4	Version
Order No.	1280920000	Klippon TB (Terminal Box), flange plate, Height: 208 mm, Width: 117
GTIN (EAN)	4050118071528	mm, Depth: 3 mm, Gland plates: left, right, Material: Stainless steel
Qty.	1 pc(s).	1.4404, electropolished, silver
Type	KTB GP 262615 AB S4	Version
Order No.	1280910000	Klippon TB (Terminal Box), flange plate, Height: 254 mm, Width: 117
GTIN (EAN)	4050118071511	mm, Depth: 3 mm, Gland plates: top, Bottom, Material: Stainless steel
Qty.	1 pc(s).	1.4404, electropolished, silver

Gland plates with earthing studs



Integrate, expand and customise: The ideal expansion for every application

The consistent structure of accessories for the new Klippon® TB enclosure range means that you can easily adapt the enclosure to the specific requirements of each application.

Flange plates

Flange plates in two thicknesses, for easy replacement of pre-assembl

General ordering data

Type	KTB GP 262615 CD S4 PE	Version
Order No.	2023090000	Klippon TB (Terminal Box), flange plate, Height: 208 mm, Width: 117
GTIN (EAN)	4050118403800	mm, Depth: 3 mm, Gland plates: left, right, Material: Stainless steel
Qty.	1 pc(s).	1.4404, electropolished, silver
Type	KTB GP 262615 AB S4 PE	Version
Order No.	2022930000	Klippon TB (Terminal Box), flange plate, Height: 254 mm, Width: 117
GTIN (EAN)	4050118403824	mm, Depth: 3 mm, Gland plates: top, Bottom, Material: Stainless steel
Qty.	1 pc(s).	1.4404, electropolished, silver

KTB FS 262615 S4E4

Weidmüller Interface GmbH & Co. KG
 Klingenbergstraße 26
 D-32758 Detmold
 Germany

www.weidmueller.com

Accessories

Stainless steel 1.4301



Integrate, expand and customise: The ideal expansion for every application

The consistent structure of accessories for the new Klippon® TB enclosure range means that you can easily adapt the enclosure to the specific requirements of each application.

Rain Covers

The rain cover provides an ideal, additional level of protection for the enclosure if it is installed in unusual climatic zones with, for instance, very heavy rainfall or extreme levels of direct sunlight.

General ordering data

Type	KTB RNHD 262615 R	Version	
Order No.	1281370000	Klippon TB (Terminal Box), Rain hood, Height: 53.9 mm, Width: 265	
GTIN (EAN)	4050118072136	mm, Depth: 160.5 mm, Material: Stainless steel 1.4301, Mirror	
Qty.	1 pc(s).	polished, silver	

Depth 15 mm



General ordering data

Type	TS35X15 ST KTB3526 HOR	Version	
Order No.	8000073113	Rail, TS 35, TS 35 x 15, Width: 199 mm, without slot, Steel, galvanic	
GTIN (EAN)	4064675340669	zinc plated and passivated	
Qty.	20 pc(s).		
Type	TS35X15 ST KTB2626 VER	Version	
Order No.	8000073110	Rail, TS 35, TS 35 x 15, Width: 205 mm, without slot, Steel, galvanic	
GTIN (EAN)	4064675340607	zinc plated and passivated	
Qty.	20 pc(s).		

KTB FS 262615 S4E4

Weidmüller Interface GmbH & Co. KG
 Klingenbergstraße 26
 D-32758 Detmold
 Germany

www.weidmueller.com

Accessories

Document holders



Integrate, expand and customise - the perfect supplement to every application

The fully structured range of system accessories for the new Klippon® TB enclosure series allows you to easily adapt the enclosures to meet the specific requirements of every application.

Document holders

Document holders for the proper storage of documents in the enclosure

General ordering data

Type	DOHA KTB A6 S2 R	Version
Order No.	1252780000	Klippon TB (Terminal Box), Document holders, Riveted, Height: 110
GTIN (EAN)	4050118045512	mm, Width: 130 mm, Depth: 20 mm, Material: Stainless steel 1.4301,
Qty.	1 pc(s).	Mirror polished, silver

Mouser Electronics

Authorized Distributor

Click to View Pricing, Inventory, Delivery & Lifecycle Information:

[Weidmuller:](#)

[1195740000](#)