

## KTB MH 262620 S4E1

**Weidmüller Interface GmbH & Co. KG**

Klingenbergstraße 26

D-32758 Detmold

Germany

[www.weidmueller.com](http://www.weidmueller.com)

### Similar to illustration



Abbildung ähnlich

The Klippon® TB enclosure range provides excellent performance characteristics, even under the most difficult environmental conditions. In addition, it complies with the stricter requirements of potentially explosive atmospheres found specifically in the process or power generation industries. The Klippon® TB MH enclosure range offers further improvements to a product line that is already successfully leading the market.

The Klippon® TB MH enclosure range has the following advantages:

- Available in 15 sizes and 3 standard depths
- Equipped with up to 4 gland plates
- The gasket is protected against compression
- Completely removable padlock tab
- Cover lock outside the sealed zone
- Improved temperature performance
- IP66/IP67 protection
- Completely removable lid – without a tool
- Earthing stud in the cover and base of the enclosure
- Welded mounting feet
- International approvals

### General ordering data

|            |  |
|------------|--|
| Version    | Klippon TB MH (Terminal Box - Multi Hinge), Empty enclosure, stainless steel enclosure, Height: 260 mm, Width: 260 mm, Depth: 200 mm, Gland plates: Bottom, Material: Stainless steel 1.4404 (316L), electropolished, silver |
| Order No.  | <a href="#">1194660000</a>   |
| Type       | KTB MH 262620 S4E1   |
| GTIN (EAN) | 4032248977284  |
| Qty.       | 1 pc(s).   |

**KTB MH 262620 S4E1**
**Weidmüller Interface GmbH & Co. KG**

Klingenbergstraße 26

D-32758 Detmold

Germany

[www.weidmueller.com](http://www.weidmueller.com)
**Technical data**
**Dimensions and weights**

|                             |         |                            |             |
|-----------------------------|---------|----------------------------|-------------|
| Depth                       | 200 mm  | Depth (inches)             | 7.874 inch  |
| Height                      | 260 mm  | Height (inches)            | 10.236 inch |
| Width                       | 260 mm  | Width (inches)             | 10.236 inch |
| Mounting dimension - height | 170 mm  | Mounting dimension - width | 286 mm      |
| Net weight                  | 5,620 g |                            |             |

**Temperatures**

|                       |                                  |   |
|-----------------------|----------------------------------|---|
| Operating temperature | Note: room temperature (service) | Limited to IP66 protection when used in temperatures greater than 105 °C. |
| -60 °C...135 °C       |                                  |   |

**Environmental Product Compliance**

|            |                |
|------------|----------------|
| REACH SVHC | Lead 7439-92-1 |
|------------|----------------|

**Cable glands, left**

|     |    |     |    |
|-----|----|-----|----|
| M12 | 25 | M16 | 16 |
| M20 | 11 | M25 | 9  |
| M32 | 4  | M40 | 4  |
| M50 | 2  | M63 | 1  |
| M75 | 1  |     |    |

**Cable glands, right**

|     |    |     |    |
|-----|----|-----|----|
| M12 | 25 | M16 | 16 |
| M20 | 11 | M25 | 9  |
| M32 | 4  | M40 | 4  |
| M50 | 2  | M63 | 1  |
| M75 | 1  |     |    |

**Cable glands, top/bottom**

|     |    |     |    |
|-----|----|-----|----|
| M12 | 33 | M16 | 22 |
| M20 | 14 | M25 | 12 |
| M32 | 6  | M40 | 5  |
| M50 | 2  | M63 | 2  |
| M75 | 1  |     |    |

**KTB MH 262620 S4E1**
**Weidmüller Interface GmbH & Co. KG**

 Klingenbergstraße 26  
 D-32758 Detmold  
 Germany

[www.weidmueller.com](http://www.weidmueller.com)
**Technical data**
**Certificate numbers enclosure**

|   |   |   |  |
|---|---|---|--|
| Approval conditions                     | ATEX, CCoE, DNV, EAC, IECEx, INMETRO, KC, NEPSI, CCC, RMRS, UL AEx Class Div., UL AEx Class Zone, cULus | Attestation of Conformity No. (AoC)       | DE PS261X 160309 001ISS03  |
| Certificate No. (ATEX)                  | PTB11ATEX2019   | Certificate No. (CCOE)                    | P461058_1  |
| Certificate No. (DNVGL)                 | TAE000013S  | Certificate No. (EAC)                     | C-DE.HB07.B.00089-20   |
| Certificate No. (IECEX)                 | IECEXPTB11.0071   | Certificate No. (MARITREG)                | 15.40073.250   |
| Certificate No. Electronic Box (NEPSI)  | 2020322303003289  | Certificate No. UL 508A                   | E223801  |
| Certificate No. UL Haz.Loc.             | E223792   | Certificate No. UL Ord.Loc.               | E243298  |
| Certificate No. UL Terminal Box         | E223792   | Certificate no. (INMETRO)                 | IEX13.0006U  |
| Certificate no. (cULus)                 | E243298   | Certificate no. Terminal Box (AEx)        | E223792  |
| Certificate no. Terminal Box (ATEX)     | IBExU14ATEX1050   | Certificate no. Terminal Box (EAC)        | C-DE.HB07.B.00089/20<br>Ex Terminal Box; C-DE.A154.B.00251/19<br>Ind. Terminal Box |
| Certificate no. Terminal Box (IECEX)    | IECEXIBE14.0013   | Certificate no. Terminal Box (INMETRO)    | IEx 17.0021  |
| Certificate no. Terminal Box (KOSHA)    | 16-AV4BO-0245X  | Certificate no. empty enclosure (ATEX)    | IBExU14ATEX1028 U  |
| Certificate no. empty enclosure (IECEX) | IECEX IBE 14.0004U  | Certificate no. empty enclosure (INMETRO) | IEx 17.0020U   |
| Certificate no., empty enclosure (EAC)  | C-DE.HB07.B.00089/20  | Declaration of Conformity No. (DoC LVD)   | DE PS261X 160412 001ISS02  |

**KTB MH 262620 S4E1**
**Weidmüller Interface GmbH & Co. KG**

Klingenbergstraße 26

D-32758 Detmold

Germany

www.weidmueller.com

**Technical data**
**General information**

|                              |   |                                 |   |
|------------------------------|---|---------------------------------|---|
| AF size                      | 10 mm   | Access opening: height          | 207 mm  |
| Access opening: width        |   | Areas of use                    | Explosive risk zone, Process industry, Oil and gas industry, Chemical industry, Offshore, Onshore |
| Dimension of box             | 201 mm  | Enclosure attachment            | 4 welded-on mounting feet with 11 mm holes (2 slotted feet and 2 cross-shaped feet)               |
| Flange plate                 | 320x455x290   | Flange plate mounting           | M6 hexagonal head screws 10 SW  |
| Gland plates                 | Yes   | Halogen                         | No  |
| Impact resistance            | Bottom  | Integral fixing                 | 4, 6 or 9 stud bolts M6 inner (female) thread   |
| Lid attachment               | 7 J ATEX version, 10 J version standard   | Material                        | Stainless steel 1.4404 (316L)   |
| Material thickness of cover  | 4 hinges and M6 hex-head slotted screws SW10  | Material thickness of enclosure | 1.5 mm  |
| Material thickness of flange | 1.5 mm  | Max. payload                    | 27 kg   |
| Note: protection class       | 3 mm  | Number of lid screws            | 4   |
| Opening angle lid            | If used in temperature ranges above 105 °C, IP protection is limited to IP 66.  | Operating temperature, max.     | 135 °C  |
| Operating temperature, min.  | 130 °   | Overall dimensions              | 271 x 311 x 215   |
| Position PE bolts            | -60 °C  | Protection class (UL)           | Type 3, Type 4x, Type 12  |
| Protection degree            | Enclosure side C  | Seal material                   | Silicone  |
| Standards                    | IP66, IP67  | Surface finish                  | electropolished   |
| Torque for lid screws        | DIN EN 62208 - Empty enclosure standard, DIN EN 61373 Class 1B**, DIN EN 15085-2, EN 60079-0, EN 60079-7, EN 60079-31, IEC 60079-0, IEC 60079-7, IEC 60079-31 |                                 |   |
|                              | 2.5 Nm  |                                 |   |

**Housing earth**

|                            |  |
|----------------------------|--|
| Earth, enclosure, internal | Welded-on M6 stainless-steel earth stud in enclosure body and lid. |
|----------------------------|--|

**horizontal assembly**

|                             |      |                 |      |
|-----------------------------|------|-----------------|------|
| WDU 10 / ZDU 10             | 1x15 | WDU 16 / ZDU 16 | 1x12 |
| WDU 2,5 / ZDU 2,5 / IDU 2,5 | 2x31 | WDU 35 / ZDU 35 | 1x9  |
| WDU 4 / ZDU 4               | 1x26 | WDU 6 / ZDU 6   | 1x19 |

**vertical assembly**

|                             |      |                 |      |
|-----------------------------|------|-----------------|------|
| WDU 10 / ZDU 10             | 1x15 | WDU 16 / ZDU 16 | 1x12 |
| WDU 2,5 / ZDU 2,5 / IDU 2,5 | 2x31 | WDU 35 / ZDU 35 | 1x9  |
| WDU 4 / ZDU 4               | 1x26 | WDU 6 / ZDU 6   | 1x19 |

Creation date January 21, 2022 7:17:21 PM CET

Catalogue status 14.01.2022 / We reserve the right to make technical changes.

**KTB MH 262620 S4E1**

**Weidmüller Interface GmbH & Co. KG**  
 Klingenbergstraße 26  
 D-32758 Detmold  
 Germany

www.weidmueller.com

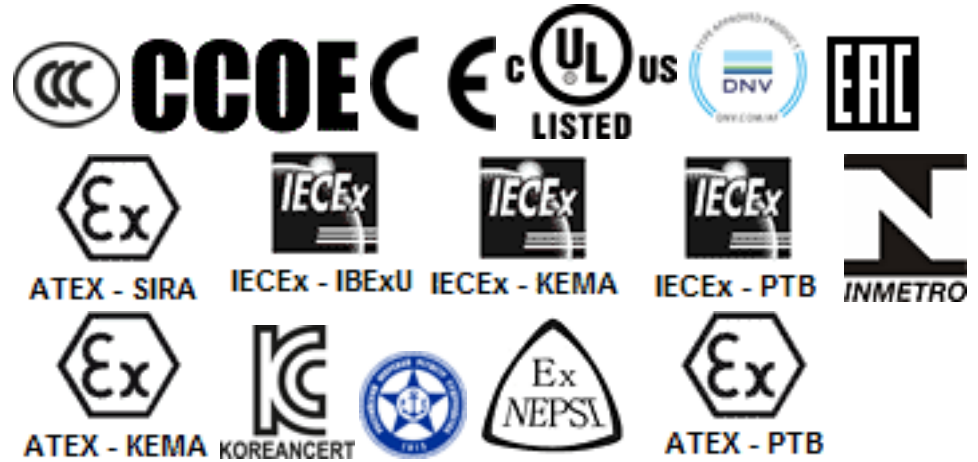
**Technical data**

**Classifications**

|             |             |             |             |
|-------------|-------------|-------------|-------------|
| ETIM 6.0    | EC002503    | ETIM 7.0    | EC002503    |
| ETIM 8.0    | EC002503    | ECLASS 9.0  | 27-18-05-02 |
| ECLASS 9.1  | 27-18-05-02 | ECLASS 10.0 | 27-18-05-02 |
| ECLASS 11.0 | 27-18-05-02 |             |             |

**Approvals**

Approvals



|                       |         |
|-----------------------|---------|
| ROHS                  | Conform |
| UL File Number Search | E243298 |

## KTB MH 262620 S4E1

**Weidmüller Interface GmbH & Co. KG**

Klingenbergstraße 26

D-32758 Detmold

Germany

[www.weidmueller.com](http://www.weidmueller.com)

## Technical data

### Downloads

|   |   |
|---|---|
| Approval/Certificate/Document of Conformity | <a href="#">C-DE.HB07.B.00089-Empty Enclosures and Ex. Terminal Box</a><br><a href="#">C-DE.AJ54.B.00251.19 Ind. Terminal Box</a><br><a href="#">CCC 2020322303002358 KTB Assembly Enclosure</a><br><a href="#">CCC 2020322303002357 KTB Empty Enclosure</a><br><a href="#">Attestation of Conformity - Klippon TB Empty Enclosures - AoC DE PS261X 160309 001ISS05 IEX17.0021</a><br><a href="#">IEX17.0020U</a><br><a href="#">IBEXU14ATEX1028U</a><br><a href="#">IBEXU14ATEX1050</a><br><a href="#">IECEXIBE14.0004U</a><br><a href="#">IECEXIBE14.0013</a><br><a href="#">TAE000013S</a><br><a href="#">15.40073.250</a><br><a href="#">RUC-DE.MIO62.B.04799</a><br><a href="#">GYJ14.1310X</a><br><a href="#">IECEXPTB11.0071</a><br><a href="#">PTB11ATEX2019</a><br><a href="#">16-AV4BO-245X</a><br><a href="#">P4610581_1</a><br><a href="#">21-09-25241/E2 1-09-053807</a><br><a href="#">EU Declaration of Conformity - Klippon TB Empty Enclosures - DoC DE PS261X 160412 001ISS03</a><br><a href="#">DoM Railway applications - Fire protection on railway vehicles</a> |
| Engineering Data                            | <a href="#">CAD data – STEP</a>   |
| Engineering Data                            | <a href="#">EPLAN, WSCAD</a>  |
| Tender specification                        | <a href="#">Klippon TB MH 262620 S4E1_1194660000_DE</a><br><a href="#">Klippon TB MH 262620 S4E1_1194660000_EN</a><br><a href="#">Klippon TB MH 262620 S4E1_1194660000_NL</a>   |
| User Documentation                          | <a href="#">Assembly guidelines - empty enclosures</a>  |
| Catalogues                                  | <a href="#">Catalogues in PDF-format</a>  |
| Brochures                                   | <a href="#">MB OVERV. PROCESS WD DE</a><br><a href="#">MB KLIPPON ENCL.TECN EN</a><br><a href="#">MB PROCESS EN</a><br><a href="#">FL WIND 2012 EN</a><br><a href="#">FL APPL PROCESS EN</a><br><a href="#">FL SHIPBUILDING 2016 EN</a><br><a href="#">FL RAILWAY 2014 EN</a><br><a href="#">PI KLIPPON TB MH QL EN</a><br><a href="#">PI KLIPPON TB MH QL EN</a>   |

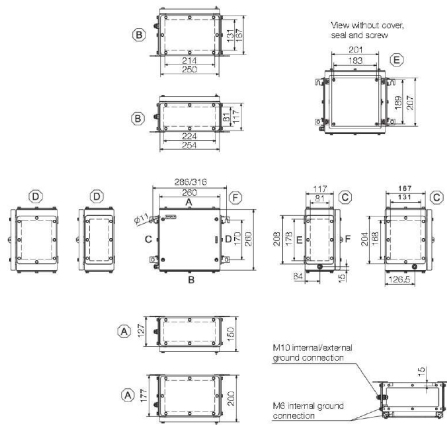
**KTB MH 262620 S4E1**

**Weidmüller Interface GmbH & Co. KG**  
 Klingenbergstraße 26  
 D-32758 Detmold  
 Germany

**Drawings**

www.weidmueller.com

**Dimensioned drawing**



## KTB MH 262620 S4E1

**Weidmüller Interface GmbH & Co. KG**  
 Klingenbergstraße 26  
 D-32758 Detmold  
 Germany

www.weidmueller.com

## Accessories

## Depth 7.5 mm



## General ordering data

|            |                            |   |
|------------|----------------------------|---|
| Type       | TS35X7.5 ST KTB2626 VER    | Version   |
| Order No.  | <a href="#">8000006709</a> | Rail, TS 35, TS 35 x 7.5, Width: 205 mm, without slot, Steel, galvanic zinc plated and passivated |
| GTIN (EAN) | 4050118652826              |   |
| Qty.       | 20 pc(s).                  |   |
| Type       | TS35X7.5 ST KTB3526 HOR    | Version   |
| Order No.  | <a href="#">8000006721</a> | Rail, TS 35, TS 35 x 7.5, Width: 199 mm, without slot, Steel, galvanized, chromium-plated         |
| GTIN (EAN) | 4050118652895              |   |
| Qty.       | 20 pc(s).                  |   |

## Type label holder



### Integrate, expand and customise: The ideal expansion for every application

The consistent structure of accessories for the new Klippon<sup>®</sup> TB enclosure range means that you can easily adapt the enclosure to the specific requirements of each application.

#### Nameplate holders

There are a variety of designed label holders available for prominent display as required and for additional nameplates as needed.

## General ordering data

|            |                            |   |
|------------|----------------------------|---|
| Type       | TPSDHA KTB 70X70M3 S2 R    | Version   |
| Order No.  | <a href="#">1279320000</a> | Klippon TB (Terminal Box), Ratings plate holder, Riveted, Height: 70 mm, Width: 70 mm, Depth: 20 mm, Material: Stainless steel 1.4301, Mirror polished, silver    |
| GTIN (EAN) | 4050118070101              |   |
| Qty.       | 1 pc(s).                   |   |
| Type       | TPSDHA KTB 130X50 S2 R     | Version   |
| Order No.  | <a href="#">1283450000</a> | Klippon TB (Terminal Box), Ratings plate holder, Riveted, Height: 50 mm, Width: 171 mm, Depth: 16.5 mm, Material: Stainless steel 1.4301, Mirror polished, silver |
| GTIN (EAN) | 4050118073621              |   |
| Qty.       | 1 pc(s).                   |   |
| Type       | TPSDHA KTB 100X25 S2 2R    | Version   |
| Order No.  | <a href="#">1257640000</a> | Klippon TB (Terminal Box), Ratings plate holder, Riveted, Height: 25 mm, Width: 141 mm, Depth: 16.5 mm, Material: Stainless steel 1.4301, Mirror polished, silver |
| GTIN (EAN) | 4050118070354              |   |
| Qty.       | 1 pc(s).                   |   |



## KTB MH 262620 S4E1

**Weidmüller Interface GmbH & Co. KG**  
 Klingenbergstraße 26  
 D-32758 Detmold  
 Germany

www.weidmueller.com

## Accessories

## 260 x 260mm



**Integrate, expand and customise: The ideal expansion for every application**

The consistent structure of accessories for the new Klippon® TB enclosure range means that you can easily adapt the enclosure to the specific requirements of each application.

**Mounting plates**

Mounting plates, with and without hole patterns, for longitudinal and transverse mounting of DIN mounting rails or components directly onto the mounting plate.

## General ordering data

|            |                            |  |
|------------|----------------------------|--|
| Type       | KTB MOPL 2626 MSZN H       | Version  |
| Order No.  | <a href="#">2022060000</a> | Klippon TB (Terminal Box), Mounting plate, prepunched, Height:     |
| GTIN (EAN) | 4050118403503              | 205 mm, Width: 199 mm, Depth: 1.5 mm, Material: Sheet steel,       |
| Qty.       | 1 pc(s).                   | galvanized, silver   |
| Type       | KTB MOPL 2626 S2N          | Version  |
| Order No.  | <a href="#">1193820000</a> | Klippon TB (Terminal Box), Mounting plate, Height: 205 mm, Width:  |
| GTIN (EAN) | 4050118028423              | 199 mm, Depth: 1.5 mm, Material: Stainless steel 1.4301 (304),     |
| Qty.       | 1 pc(s).                   | untreated, silver  |
| Type       | KTB MOPL 2626 S2N H        | Version  |
| Order No.  | <a href="#">1257660000</a> | Klippon TB (Terminal Box), Mounting plate, prepunched, Height: 205 |
| GTIN (EAN) | 4050118049084              | mm, Width: 199 mm, Depth: 1.5 mm, Material: Stainless steel 1.4301 |
| Qty.       | 1 pc(s).                   | (304), untreated, silver   |
| Type       | KTB MOPL 2626 MSZN         | Version  |
| Order No.  | <a href="#">1193950000</a> | Klippon TB (Terminal Box), Mounting plate, Height: 205 mm, Width:  |
| GTIN (EAN) | 4050118028119              | 199 mm, Depth: 1.5 mm, Material: Sheet steel, galvanized, silver   |
| Qty.       | 1 pc(s).                   |  |

## KTB MH 262620 S4E1

Weidmüller Interface GmbH & Co. KG  
Klingenbergstraße 26  
D-32758 Detmold  
Germany

www.weidmueller.com

## Accessories

## Installation material



### Integrate, expand and customise - the perfect supplement to every application

The fully structured range of system accessories for the new Klippon® TB enclosure series allows you to easily adapt the enclosures to meet the specific requirements of every application.

#### Mounting hardware kits

Mounting hardware kits are available for quick and easy installation of type label holders, document holders and rain hoods.

The **label fastening set – SD** is required to install a plastic (Trafolyte) ID or type label. With the aid of this set can you mount the ID or type label directly on the enclosure cover. The label fastening set has been specially developed for this purpose. Only by using this fastening set can you ensure that there will be no leaks into the enclosure or damage to the label.

The **universal fastening set – TPSD** has been developed to enable secure and quick installation of type label holders, rain covers or document holders, for example. By using this fastening set, the risk of leaks can be minimised, if not avoided.

## General ordering data

|            |                            |  |
|------------|----------------------------|--|
| Type       | TPSD FIXING SET KTB        | Version  |
| Order No.  | <a href="#">1252190000</a> | Klippon TB (Terminal Box), Type plate fixings set, Material: Stainless |
| GTIN (EAN) | 4050118043969              | steel, rust-proof, untreated, silver                                   |
| Qty.       | 1 pc(s).                   |  |
| Type       | SD FIXING SET              | Version  |
| Order No.  | <a href="#">1285200000</a> | Klippon TB (Terminal Box), Identification plate fixing set, Material:  |
| GTIN (EAN) | 4050118075472              | Stainless steel, rust-proof, untreated, silver                         |
| Qty.       | 1 pc(s).                   |  |

## Mounting plates fastening



### Integrate, expand and customise: The ideal expansion for every application

The consistent structure of accessories for the Klippon® EBi enclosure range means that you can easily adapt the enclosure to the specific requirements of each application.

## General ordering data

|            |                            |  |
|------------|----------------------------|--|
| Type       | GFSC M5X10 TX20 SET        | Version  |
| Order No.  | <a href="#">1274150000</a> | Klippon EBi (Essential Box industrial), Mounting screw, Material: Steel, |
| GTIN (EAN) | 4050118063820              | galvanized, silver   |
| Qty.       | 1 pc(s).                   |  |

## KTB MH 262620 S4E1

**Weidmüller Interface GmbH & Co. KG**  
 Klingenbergstraße 26  
 D-32758 Detmold  
 Germany

www.weidmueller.com

# Accessories

### Gland plates made out of stainless steel - 6 mm



#### **Integrate, expand and customise: The ideal expansion for every application**

The consistent structure of accessories for the new Klippon® TB enclosure range means that you can easily adapt the enclosure to the specific requirements of each application.

#### **Flange plates**

Flange plates in two thicknesses, for easy replacement of pre-assembl

#### General ordering data

| Type       | KTB GP 262620 AB S4 6MM    | Version   |
|------------|----------------------------|---|
| Order No.  | <a href="#">1256320000</a> | Klippon TB (Terminal Box), flange plate, Height: 250 mm, Width: 167   |
| GTIN (EAN) | 4050118093735              | mm, Depth: 6 mm, Gland plates: top, Bottom, Material: Stainless steel |
| Qty.       | 1 pc(s).                   | 1.4404, electropolished, silver                                       |

### Stainless steel 1.4404 (316L)



#### **Integrate, expand and customise: The ideal expansion for every application**

The consistent structure of accessories for the new Klippon® TB enclosure range means that you can easily adapt the enclosure to the specific requirements of each application.

#### **Rain Covers**

The rain cover provides an ideal, additional level of protection for the enclosure if it is installed in unusual climatic zones with, for instance, very heavy rainfall or extreme levels of direct sunlight.

#### General ordering data

| Type       | KTB RNHD 262620 S4E R      | Version   |
|------------|----------------------------|---|
| Order No.  | <a href="#">1314110000</a> | Klippon TB (Terminal Box), Rain hood, Height: 55.9 mm, Width: 265 |
| GTIN (EAN) | 4050118117356              | mm, Depth: 211.2 mm, Material: Stainless steel 1.4404 (316L),     |
| Qty.       | 1 pc(s).                   | electropolished, silver   |

## KTB MH 262620 S4E1

**Weidmüller Interface GmbH & Co. KG**  
 Klingenbergstraße 26  
 D-32758 Detmold  
 Germany

www.weidmueller.com

# Accessories

## Grounding strap

The fully structured range of system accessories for the new Klippon® TB enclosure series allows you to easily adapt the enclosures to meet the specific requirements of every application. The following options are available:

- Closure Elements
- Document holders
- Earthing stud
- Gland plates
- Installation material
- Mounting plates
- Rain hoods
- Spacer
- Terminal rails
- Type label holder

### General ordering data

|            |                            |  |
|------------|----------------------------|--|
| Type       | PECD WIRE 6/200/D6 SET     | Version  |
| Order No.  | <a href="#">2475490000</a> | Klippon TB (Terminal Box), Grounding strap, Sscrewed, Material: Steel, |
| GTIN (EAN) | 4050118487206              | Green/yellow   |
| Qty.       | 1 pc(s).                   |  |

## Earthing stud



### Integrate, expand and customise: The ideal expansion for every application

The consistent structure of accessories for the new Klippon® TB enclosure range means that you can easily adapt the enclosure to the specific requirements of each application.

#### Earthing bolt

Earthing bolts to exchange as a complete component in two versions – brass and stainless steel.

### General ordering data

|            |                            |  |
|------------|----------------------------|--|
| Type       | PEBZ M10 KTB S4 SET        | Version  |
| Order No.  | <a href="#">1192690000</a> | Klippon TB (Terminal Box), Earthing stud, Miscellaneous, Width: 48.5 |
| GTIN (EAN) | 4032248974658              | mm, Material: Stainless steel 1.4404, untreated, silver              |
| Qty.       | 1 pc(s).                   |  |
| Type       | PEBZ M10 KTB BR SET        | Version  |
| Order No.  | <a href="#">1192680000</a> | Klippon TB (Terminal Box), Earthing stud, Miscellaneous, Width: 48.5 |
| GTIN (EAN) | 4032248974641              | mm, Material: Brass, untreated, silver                               |
| Qty.       | 1 pc(s).                   |  |

## KTB MH 262620 S4E1

**Weidmüller Interface GmbH & Co. KG**  
 Klingenbergstraße 26  
 D-32758 Detmold  
 Germany

www.weidmueller.com

## Accessories

## Gland plates without earthing studs



**Integrate, expand and customise: The ideal expansion for every application**

The consistent structure of accessories for the new Klippon® TB enclosure range means that you can easily adapt the enclosure to the specific requirements of each application.

**Flange plates**

Flange plates in two thicknesses, for easy replacement of pre-assembl

## General ordering data

| Type       | KTB GP 262620 AB S4        | Version   |
|------------|----------------------------|---|
| Order No.  | <a href="#">1280930000</a> | Klippon TB (Terminal Box), flange plate, Height: 250 mm, Width: 167   |
| GTIN (EAN) | 4050118071580              | mm, Depth: 3 mm, Gland plates: top, Bottom, Material: Stainless steel |
| Qty.       | 1 pc(s).                   | 1.4404, electropolished, silver                                       |

## Gland plates with earthing studs



**Integrate, expand and customise: The ideal expansion for every application**

The consistent structure of accessories for the new Klippon® TB enclosure range means that you can easily adapt the enclosure to the specific requirements of each application.

**Flange plates**

Flange plates in two thicknesses, for easy replacement of pre-assembl

## General ordering data

| Type       | KTB GP 262620 AB S4 PE     | Version   |
|------------|----------------------------|---|
| Order No.  | <a href="#">2023100000</a> | Klippon TB (Terminal Box), flange plate, Height: 250 mm, Width: 167   |
| GTIN (EAN) | 4050118403350              | mm, Depth: 3 mm, Gland plates: top, Bottom, Material: Stainless steel |
| Qty.       | 1 pc(s).                   | 1.4404, electropolished, silver                                       |

## KTB MH 262620 S4E1

**Weidmüller Interface GmbH & Co. KG**  
 Klingenbergstraße 26  
 D-32758 Detmold  
 Germany

[www.weidmueller.com](http://www.weidmueller.com)

## Accessories

## Stainless steel 1.4301



### Integrate, expand and customise: The ideal expansion for every application

The consistent structure of accessories for the new Klippon® TB enclosure range means that you can easily adapt the enclosure to the specific requirements of each application.

#### Rain Covers

The rain cover provides an ideal, additional level of protection for the enclosure if it is installed in unusual climatic zones with, for instance, very heavy rainfall or extreme levels of direct sunlight.

## General ordering data

|            |                            |   |
|------------|----------------------------|---|
| Type       | KTB RNHD 262620 R          | Version   |
| Order No.  | <a href="#">1281380000</a> | Klippon TB (Terminal Box), Rain hood, Height: 55.9 mm, Width: 265 |
| GTIN (EAN) | 4050118072174              | mm, Depth: 211.2 mm, Material: Stainless steel 1.4301, Mirror     |
| Qty.       | 1 pc(s).                   | polished, silver  |

## Depth 15 mm



## General ordering data

|            |                            |   |
|------------|----------------------------|---|
| Type       | TS35X15 ST KTB3526 HOR     | Version   |
| Order No.  | <a href="#">8000073113</a> | Rail, TS 35, TS 35 x 15, Width: 199 mm, without slot, Steel, galvanic |
| GTIN (EAN) | 4064675340669              | zinc plated and passivated  |
| Qty.       | 20 pc(s).                  |   |
| Type       | TS35X15 ST KTB2626 VER     | Version   |
| Order No.  | <a href="#">8000073110</a> | Rail, TS 35, TS 35 x 15, Width: 205 mm, without slot, Steel, galvanic |
| GTIN (EAN) | 4064675340607              | zinc plated and passivated  |
| Qty.       | 20 pc(s).                  |   |

**Data sheet**

**KTB MH 262620 S4E1**

**Weidmüller Interface GmbH & Co. KG**  
 Klingenbergstraße 26  
 D-32758 Detmold  
 Germany

www.weidmueller.com

**Accessories**

**Document holders**



**Integrate, expand and customise - the perfect supplement to every application**

The fully structured range of system accessories for the new Klippon® TB enclosure series allows you to easily adapt the enclosures to meet the specific requirements of every application.

**Document holders**

Document holders for the proper storage of documents in the enclosure

**General ordering data**

|            |                            |  |
|------------|----------------------------|--|
| Type       | DOHA KTB A6 S2 R           | Version  |
| Order No.  | <a href="#">1252780000</a> | Klippon TB (Terminal Box), Document holders, Riveted, Height: 110  |
| GTIN (EAN) | 4050118045512              | mm, Width: 130 mm, Depth: 20 mm, Material: Stainless steel 1.4301, |
| Qty.       | 1 pc(s).                   | Mirror polished, silver  |

# Mouser Electronics

Authorized Distributor

Click to View Pricing, Inventory, Delivery & Lifecycle Information:

[Weidmuller:](#)

[1194660000](#)