

## KTB MH 221513 S4E4

**Weidmüller Interface GmbH & Co. KG**

Klingenbergstraße 26

D-32758 Detmold

Germany

[www.weidmueller.com](http://www.weidmueller.com)

### Similar to illustration



Abbildung ähnlich

The Klippon® TB enclosure range provides excellent performance characteristics, even under the most difficult environmental conditions. In addition, it complies with the stricter requirements of potentially explosive atmospheres found specifically in the process or power generation industries. The Klippon® TB MH enclosure range offers further improvements to a product line that is already successfully leading the market.

The Klippon® TB MH enclosure range has the following advantages:

- Available in 15 sizes and 3 standard depths
- Equipped with up to 4 gland plates
- The gasket is protected against compression
- Completely removable padlock tab
- Cover lock outside the sealed zone
- Improved temperature performance
- IP66/IP67 protection
- Completely removable lid – without a tool
- Earthing stud in the cover and base of the enclosure
- Welded mounting feet
- International approvals

### General ordering data

Version	Klippon TB MH (Terminal Box - Multi Hinge), Empty enclosure, stainless steel enclosure, Height: 229 mm, Width: 152 mm, Depth: 133 mm, Gland plates: Bottom, top, left, right, Material: Stainless steel 1.4404 (316L), electropolished, silver
Order No.	<a href="#">1194590000</a>
Type	KTB MH 221513 S4E4
GTIN (EAN)	4032248977192
Qty.	1 pc(s).

**KTB MH 221513 S4E4**
**Weidmüller Interface GmbH & Co. KG**

Klingenbergstraße 26

D-32758 Detmold

Germany

[www.weidmueller.com](http://www.weidmueller.com)
**Technical data**
**Dimensions and weights**

Depth	133 mm	Depth (inches)	5.236 inch
Height	229 mm	Height (inches)	9.016 inch
Width	152 mm	Width (inches)	5.984 inch
Mounting dimension - height	152 mm	Mounting dimension - width	208 mm
Net weight	4,060 g		

**Temperatures**

Operating temperature	Note: room temperature (service)	Limited to IP66 protection when used in temperatures greater than 105 °C.
-60 °C...135 °C		

**Environmental Product Compliance**

REACH SVHC	Lead 7439-92-1
------------	----------------

**Cable glands, left**

M12	8	M16	6
M20	3	M25	2
M32	2	M40	2
M50	0	M63	0
M75	0		

**Cable glands, right**

M12	8	M16	6
M20	3	M25	2
M32	2	M40	2
M50	0	M63	0
M75	0		

**Cable glands, top/bottom**

M12	6	M16	5
M20	2	M25	2
M32	1	M40	1
M50	0	M63	0
M75	0		

**KTB MH 221513 S4E4**
**Weidmüller Interface GmbH & Co. KG**

Klingenbergstraße 26

D-32758 Detmold

Germany

www.weidmueller.com

**Technical data**
**Certificate numbers enclosure**

Approval conditions	ATEX, CCoE, DNV, EAC, IECEx, INMETRO, KC, NEPSI, CCC, RMRS, UL AEx Class Div., UL AEx Class Zone, cULus	Attestation of Conformity No. (AoC)	DE PS261X 160309 001ISS03
Certificate No. (ATEX)	PTB11ATEX2019	Certificate No. (CCOE)	P461058_1
Certificate No. (DNVGL)	TAE000013S	Certificate No. (EAC)	C-DE.HB07.B.00089-20
Certificate No. (IECEX)	IECEXPTB11.0071	Certificate No. (MARITREG)	15.40073.250
Certificate No. Electronic Box (NEPSI)	2020322303003289	Certificate No. UL 508A	E223801
Certificate No. UL Haz.Loc.	E223792	Certificate No. UL Ord.Loc.	E243298
Certificate No. UL Terminal Box	E223792	Certificate no. (INMETRO)	IEX17.0021
Certificate no. (cULus)	E243298	Certificate no. Terminal Box (AEx)	E223792
Certificate no. Terminal Box (ATEX)	IBExU14ATEX1050	Certificate no. Terminal Box (EAC)	C-DE.HB07.B.00089/20 Ex Terminal Box; C-DE.A154.B.00251/19 Ind. Terminal Box
Certificate no. Terminal Box (IECEX)	IECEXIBE14.0013	Certificate no. Terminal Box (INMETRO)	IEx 17.0021
Certificate no. Terminal Box (KOSHA)	16-AV4BO-0245X	Certificate no. empty enclosure (ATEX)	IBExU14ATEX1028 U
Certificate no. empty enclosure (IECEX)	IECEX IBE 14.0004U	Certificate no. empty enclosure (INMETRO)	IEx 17.0020U
Certificate no., empty enclosure (EAC)	C-DE.HB07.B.00089/20	Declaration of Conformity No. (DoC LVD)	DE PS261X 160412 001ISS02

**KTB MH 221513 S4E4**
**Weidmüller Interface GmbH & Co. KG**

Klingenbergstraße 26

D-32758 Detmold

Germany

www.weidmueller.com

**Technical data**
**General information**

AF size	10 mm	Access opening: height	176 mm
Access opening: width		Areas of use	Explosive risk zone, Process industry, Oil and gas industry, Chemical industry, Offshore, Onshore
Dimension of box	93 mm	Enclosure attachment	4 welded-on mounting feet with 11 mm holes (2 slotted feet and 2 cross-shaped feet)
Flange plate	350x390x220	Flange plate mounting	M6 hexagonal head screws 10 SW
Gland plates	Yes	Halogen	No
Impact resistance	Bottom, top, left, right	Integral fixing	4, 6 or 9 stud bolts M6 inner (female) thread
Lid attachment	7 J ATEX version, 10 J version standard	Material	Stainless steel 1.4404 (316L)
Material thickness of cover	4 hinges and M6 hex-head slotted screws SW10	Material thickness of enclosure	1.5 mm
Material thickness of flange	1.5 mm	Max. payload	14 kg
Note: protection class	3 mm	Number of lid screws	4
Opening angle lid	If used in temperature ranges above 105 °C, IP protection is limited to IP 66.	Operating temperature, max.	135 °C
Operating temperature, min.	130 °	Overall dimensions	251 x 233 x 148
Position PE bolts	-60 °C	Protection class (UL)	Type 3, Type 4x, Type 12
Protection degree	Enclosure side C	Seal material	Silicone
Standards	IP66, IP67	Surface finish	electropolished
Torque for lid screws	DIN EN 62208 - Empty enclosure standard, DIN EN 61373 Class 1B**, DIN EN 15085-2, EN 60079-0, EN 60079-7, EN 60079-31, IEC 60079-0, IEC 60079-7, IEC 60079-31		
	2.5 Nm		

**Housing earth**

Earth, enclosure, internal	Welded-on M6 stainless-steel earth stud in enclosure body and lid.
----------------------------	--

**horizontal assembly**

WDU 10 / ZDU 10	1x4	WDU 16 / ZDU 16	1x3
WDU 2,5 / ZDU 2,5 / IDU 2,5	1x10	WDU 35 / ZDU 35	1x2
WDU 4 / ZDU 4	1x8	WDU 6 / ZDU 6	1x6

**vertical assembly**

WDU 10 / ZDU 10	1x13	WDU 16 / ZDU 16	1x10
WDU 2,5 / ZDU 2,5 / IDU 2,5	1x26	WDU 35 / ZDU 35	1x7
WDU 4 / ZDU 4	1x21	WDU 6 / ZDU 6	1x16

**KTB MH 221513 S4E4**

**Weidmüller Interface GmbH & Co. KG**  
 Klingenbergstraße 26  
 D-32758 Detmold  
 Germany

www.weidmueller.com

**Technical data**

**Classifications**

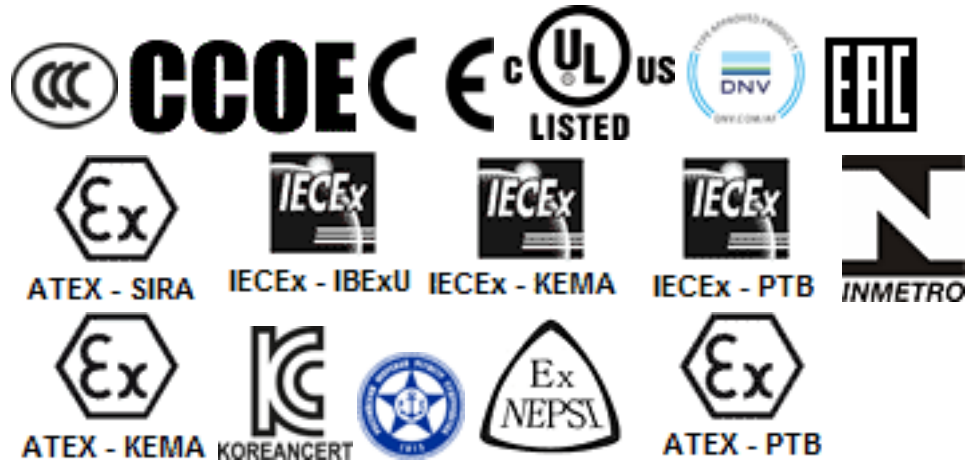
ETIM 6.0	EC002503	ETIM 7.0	EC002503
ETIM 8.0	EC002503	ECLASS 9.0	27-18-05-02
ECLASS 9.1	27-18-05-02	ECLASS 10.0	27-18-05-02
ECLASS 11.0	27-18-05-02		

**Important note**

Product information	Minimum order quantity (20 pieces)
---------------------	------------------------------------

**Approvals**

Approvals



ROHS	Conform
UL File Number Search	E243298

## KTB MH 221513 S4E4

**Weidmüller Interface GmbH & Co. KG**

Klingenbergstraße 26

D-32758 Detmold

Germany

[www.weidmueller.com](http://www.weidmueller.com)

## Technical data

### Downloads

Approval/Certificate/Document of Conformity	<a href="#">C-DE.HB07.B.00089-Empty Enclosures and Ex. Terminal Box</a> <a href="#">C-DE.AJ54.B.00251.19 Ind. Terminal Box</a> <a href="#">CCC 2020322303002358 KTB Assembly Enclosure</a> <a href="#">CCC 2020322303002357 KTB Empty Enclosure</a> <a href="#">Attestation of Conformity - Klippon TB Empty Enclosures - AoC DE PS261X 160309 001ISS05 IEX17.0021</a> <a href="#">IEX17.0020U</a> <a href="#">IBEXU14ATEX1028U</a> <a href="#">IBEXU14ATEX1050</a> <a href="#">IECEXIBE14.0004U</a> <a href="#">IECEXIBE14.0013</a> <a href="#">TAE000013S</a> <a href="#">15.40073.250</a> <a href="#">RUC-DE.MIO62.B.04799</a> <a href="#">GYJ14.1310X</a> <a href="#">IECEXPTB11.0071</a> <a href="#">PTB11ATEX2019</a> <a href="#">16-AV4BO-245X</a> <a href="#">P4610581_1</a> <a href="#">21-09-25241/E2 1-09-053807</a> <a href="#">EU Declaration of Conformity - Klippon TB Empty Enclosures - DoC DE PS261X 160412 001ISS03</a>
Engineering Data	<a href="#">CAD data – STEP</a>
Engineering Data	<a href="#">EPLAN, WSCAD</a>
Tender specification	<a href="#">Klippon TB MH 221513 S4E4_1194590000_DE</a> <a href="#">Klippon TB MH 221513 S4E4_1194590000_EN</a> <a href="#">Klippon TB MH 221513 S4E4_1194590000_NL</a>
User Documentation	<a href="#">Assembly guidelines - empty enclosures</a>
Catalogues	<a href="#">Catalogues in PDF-format</a>
Brochures	<a href="#">MB OVERV. PROCESS WD DE</a> <a href="#">MB KLIPPON ENCL.TECN EN</a> <a href="#">MB PROCESS EN</a> <a href="#">FL WIND 2012 EN</a> <a href="#">FL APPL PROCESS EN</a> <a href="#">FL SHIPBUILDING 2016 EN</a> <a href="#">FL RAILWAY 2014 EN</a> <a href="#">PI KLIPPON TB MH QL EN</a> <a href="#">PI KLIPPON TB MH QL EN</a>

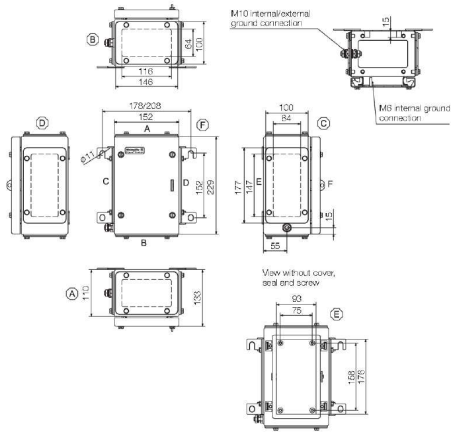
**KTB MH 221513 S4E4**

**Weidmüller Interface GmbH & Co. KG**  
 Klingenbergstraße 26  
 D-32758 Detmold  
 Germany

[www.weidmueller.com](http://www.weidmueller.com)

**Drawings**

**Dimensioned drawing**



**KTB MH 221513 S4E4**

**Weidmüller Interface GmbH & Co. KG**  
 Klingenbergstraße 26  
 D-32758 Detmold  
 Germany

www.weidmueller.com

**Accessories**

**Depth 7.5 mm**



**General ordering data**

Type	TS35X7.5 ST KTB2215 VER	Version
Order No.	<a href="#">8000006708</a>	Rail, TS 35, TS 35 x 7.5, Width: 174 mm, without slot, Steel, galvanized, chromium-plated
GTIN (EAN)	4050118652819	
Qty.	20 pc(s).	
Type	TS35X7.5 ST KTB2215 HOR	Version
Order No.	<a href="#">8000006720</a>	Rail, TS 35, TS 35 x 7.5, Width: 91 mm, without slot, Steel, galvanized, chromium-plated
GTIN (EAN)	4050118652888	
Qty.	20 pc(s).	

**Type label holder**



**Integrate, expand and customise: The ideal expansion for every application**

The consistent structure of accessories for the new Klippon® TB enclosure range means that you can easily adapt the enclosure to the specific requirements of each application.

**Nameplate holders**

There are a variety of designed label holders available for prominent display as required and for additional nameplates as needed.

**General ordering data**

Type	TPSDHA KTB 70X70M3 S2 R	Version
Order No.	<a href="#">1279320000</a>	Klippon TB (Terminal Box), Ratings plate holder, Riveted, Height: 70 mm, Width: 70 mm, Depth: 20 mm, Material: Stainless steel 1.4301, Mirror polished, silver
GTIN (EAN)	4050118070101	
Qty.	1 pc(s).	



## KTB MH 221513 S4E4

Weidmüller Interface GmbH & Co. KG  
Klingenbergstraße 26  
D-32758 Detmold  
Germany

www.weidmueller.com

## Accessories

## Installation material



### Integrate, expand and customise - the perfect supplement to every application

The fully structured range of system accessories for the new Klippon® TB enclosure series allows you to easily adapt the enclosures to meet the specific requirements of every application.

#### Mounting hardware kits

Mounting hardware kits are available for quick and easy installation of type label holders, document holders and rain hoods.

The **label fastening set – SD** is required to install a plastic (Trafolyte) ID or type label. With the aid of this set can you mount the ID or type label directly on the enclosure cover. The label fastening set has been specially developed for this purpose. Only by using this fastening set can you ensure that there will be no leaks into the enclosure or damage to the label.

The **universal fastening set – TPSD** has been developed to enable secure and quick installation of type label holders, rain covers or document holders, for example. By using this fastening set, the risk of leaks can be minimised, if not avoided.

## General ordering data

Type	TPSD FIXING SET KTB	Version
Order No.	<a href="#">1252190000</a>	Klippon TB (Terminal Box), Type plate fixings set, Material: Stainless
GTIN (EAN)	4050118043969	steel, rust-proof, untreated, silver
Qty.	1 pc(s).	
Type	SD FIXING SET	Version
Order No.	<a href="#">1285200000</a>	Klippon TB (Terminal Box), Identification plate fixing set, Material:
GTIN (EAN)	4050118075472	Stainless steel, rust-proof, untreated, silver
Qty.	1 pc(s).	

## 229 x 152mm



### Integrate, expand and customise: The ideal expansion for every application

The consistent structure of accessories for the new Klippon® TB enclosure range means that you can easily adapt the enclosure to the specific requirements of each application.

#### Mounting plates

Mounting plates, with and without hole patterns, for longitudinal and transverse mounting of DIN mounting rails or components directly onto the mounting plate.

## General ordering data

Type	KTB MOPL 2215 MSZN H	Version
Order No.	<a href="#">2022050000</a>	Klippon TB (Terminal Box), Mounting plate, prepunched, Height: 174
GTIN (EAN)	4050118403442	mm, Width: 91 mm, Depth: 1.5 mm, Material: Sheet steel, galvanized,
Qty.	1 pc(s).	silver

## KTB MH 221513 S4E4

**Weidmüller Interface GmbH & Co. KG**  
Klingenbergstraße 26  
D-32758 Detmold  
Germany

www.weidmueller.com

## Accessories

Type	KTB MOPL 22 15 S2N H	Version
Order No.	<a href="#">1257650000</a>	Klippon TB (Terminal Box), Mounting plate, prepunched, Height: 174 mm, Width: 91 mm, Depth: 1.5 mm, Material: Stainless steel 1.4301 (304), untreated, silver
GTIN (EAN)	4050118049305	
Qty.	1 pc(s).	
Type	KTB MOPL 22 15 S2N	Version
Order No.	<a href="#">1193810000</a>	Klippon TB (Terminal Box), Mounting plate, Height: 174 mm, Width: 91 mm, Depth: 1.5 mm, Material: Stainless steel 1.4301 (304), untreated, silver
GTIN (EAN)	4050118028409	
Qty.	1 pc(s).	
Type	KTB MOPL 22 15 MSZN	Version
Order No.	<a href="#">1193930000</a>	Klippon TB (Terminal Box), Mounting plate, Height: 174 mm, Width: 91 mm, Depth: 1.5 mm, Material: Sheet steel, galvanized, silver
GTIN (EAN)	4050118028546	
Qty.	1 pc(s).	

### Mounting plates fastening



#### **Integrate, expand and customise: The ideal expansion for every application**

The consistent structure of accessories for the Klippon® EBi enclosure range means that you can easily adapt the enclosure to the specific requirements of each application.

### General ordering data

Type	GFSC M5X10 TX20 SET	Version
Order No.	<a href="#">1274150000</a>	Klippon EBi (Essential Box industrial), Mounting screw, Material: Steel, galvanized, silver
GTIN (EAN)	4050118063820	
Qty.	1 pc(s).	

### Gland plates made out of stainless steel - 6 mm



#### **Integrate, expand and customise: The ideal expansion for every application**

The consistent structure of accessories for the new Klippon® TB enclosure range means that you can easily adapt the enclosure to the specific requirements of each application.

#### **Flange plates**

Flange plates in two thicknesses, for easy replacement of pre-assembl

### General ordering data

Type	KTB GP 221513 CD S4 6MM	Version
Order No.	<a href="#">1256280000</a>	Klippon TB (Terminal Box), flange plate, Height: 177 mm, Width: 100 mm, Depth: 6 mm, Gland plates: left, right, Material: Stainless steel 1.4404, electropolished, silver
GTIN (EAN)	4050118093704	
Qty.	1 pc(s).	

**KTB MH 221513 S4E4****Weidmüller Interface GmbH & Co. KG**

Klingenbergstraße 26

D-32758 Detmold

Germany

www.weidmueller.com

**Accessories**

Type	KTB GP 221513 AB S4 6MM	Version
Order No.	<a href="#">1256270000</a>	Klippon TB (Terminal Box), flange plate, Height: 146 mm, Width: 100
GTIN (EAN)	4050118092592	mm, Depth: 6 mm, Gland plates: top, Bottom, Material: Stainless steel
Qty.	1 pc(s).	1.4404, electropolished, silver

**Stainless steel 1.4404 (316L)****Integrate, expand and customise: The ideal expansion for every application**

The consistent structure of accessories for the new Klippon® TB enclosure range means that you can easily adapt the enclosure to the specific requirements of each application.

**Rain Covers**

The rain cover provides an ideal, additional level of protection for the enclosure if it is installed in unusual climatic zones with, for instance, very heavy rainfall or extreme levels of direct sunlight.

**General ordering data**

Type	KTB RNHD 221513 S4E R	Version
Order No.	<a href="#">1314090000</a>	Klippon TB (Terminal Box), Rain hood, Height: 50.9 mm, Width: 157
GTIN (EAN)	4050118117332	mm, Depth: 142.8 mm, Material: Stainless steel 1.4404 (316L),
Qty.	1 pc(s).	electropolished, silver

**Grounding strap**

The fully structured range of system accessories for the new Klippon® TB enclosure series allows you to easily adapt the enclosures to meet the specific requirements of every application. The following options are available:

- Closure Elements
- Document holders
- Earthing stud
- Gland plates
- Installation material
- Mounting plates
- Rain hoods
- Spacer
- Terminal rails
- Type label holder

**General ordering data**

Type	PECD WIRE 6/200/D6 SET	Version
Order No.	<a href="#">2475490000</a>	Klippon TB (Terminal Box), Grounding strap, Sscrewed, Material: Steel,
GTIN (EAN)	4050118487206	Green/yellow
Qty.	1 pc(s).	

## KTB MH 221513 S4E4

**Weidmüller Interface GmbH & Co. KG**  
 Klingenbergstraße 26  
 D-32758 Detmold  
 Germany

www.weidmueller.com

## Accessories

## Earthing stud



**Integrate, expand and customise: The ideal expansion for every application**

The consistent structure of accessories for the new Klippon® TB enclosure range means that you can easily adapt the enclosure to the specific requirements of each application.

**Earthing bolt**

Earthing bolts to exchange as a complete component in two versions – brass and stainless steel.

## General ordering data

Type	PEBZ M10 KTB S4 SET	Version
Order No.	<a href="#">1192690000</a>	Klippon TB (Terminal Box), Earthing stud, Miscellaneous, Width: 48.5
GTIN (EAN)	4032248974658	mm, Material: Stainless steel 1.4404, untreated, silver
Qty.	1 pc(s).	
Type	PEBZ M10 KTB BR SET	Version
Order No.	<a href="#">1192680000</a>	Klippon TB (Terminal Box), Earthing stud, Miscellaneous, Width: 48.5
GTIN (EAN)	4032248974641	mm, Material: Brass, untreated, silver
Qty.	1 pc(s).	

## Gland plates without earthing studs



**Integrate, expand and customise: The ideal expansion for every application**

The consistent structure of accessories for the new Klippon® TB enclosure range means that you can easily adapt the enclosure to the specific requirements of each application.

**Flange plates**

Flange plates in two thicknesses, for easy replacement of pre-assembl

## General ordering data

Type	KTB GP 221513 CD S4	Version
Order No.	<a href="#">1280900000</a>	Klippon TB (Terminal Box), flange plate, Height: 177 mm, Width: 100
GTIN (EAN)	4050118071757	mm, Depth: 3 mm, Gland plates: left, right, Material: Stainless steel
Qty.	1 pc(s).	1.4404, electropolished, silver
Type	KTB GP 221513 AB S4	Version
Order No.	<a href="#">1280890000</a>	Klippon TB (Terminal Box), flange plate, Height: 146 mm, Width: 100
GTIN (EAN)	4050118071627	mm, Depth: 3 mm, Gland plates: top, Bottom, Material: Stainless steel
Qty.	1 pc(s).	1.4404, electropolished, silver

## KTB MH 221513 S4E4

**Weidmüller Interface GmbH & Co. KG**  
 Klingenbergstraße 26  
 D-32758 Detmold  
 Germany

www.weidmueller.com

# Accessories

## Gland plates with earthing studs



### **Integrate, expand and customise: The ideal expansion for every application**

The consistent structure of accessories for the new Klippon® TB enclosure range means that you can easily adapt the enclosure to the specific requirements of each application.

### **Flange plates**

Flange plates in two thicknesses, for easy replacement of pre-assembl

### General ordering data

Type	KTB GP 221513 CD S4 PE	Version
Order No.	<a href="#">2022900000</a>	Klippon TB (Terminal Box), flange plate, Height: 177 mm, Width: 100
GTIN (EAN)	4050118403510	mm, Depth: 3 mm, Gland plates: left, right, Material: Stainless steel
Qty.	1 pc(s).	1.4404, electropolished, silver
Type	KTB GP 221513 AB S4 PE	Version
Order No.	<a href="#">2022770000</a>	Klippon TB (Terminal Box), flange plate, Height: 146 mm, Width: 100
GTIN (EAN)	4050118403916	mm, Depth: 3 mm, Gland plates: top, Bottom, Material: Stainless steel
Qty.	1 pc(s).	1.4404, electropolished, silver

## Stainless steel 1.4301



### **Integrate, expand and customise: The ideal expansion for every application**

The consistent structure of accessories for the new Klippon® TB enclosure range means that you can easily adapt the enclosure to the specific requirements of each application.

### **Rain Covers**

The rain cover provides an ideal, additional level of protection for the enclosure if it is installed in unusual climatic zones with, for instance, very heavy rainfall or extreme levels of direct sunlight.

### General ordering data

Type	KTB RNHD 221513 R	Version
Order No.	<a href="#">1281360000</a>	Klippon TB (Terminal Box), Rain hood, Height: 50.9 mm, Width: 157
GTIN (EAN)	4050118072075	mm, Depth: 142.8 mm, Material: Stainless steel 1.4301, Mirror
Qty.	1 pc(s).	polished, silver

**Data sheet**

**KTB MH 221513 S4E4**

**Weidmüller Interface GmbH & Co. KG**  
 Klingenbergstraße 26  
 D-32758 Detmold  
 Germany

www.weidmueller.com

**Accessories**

**Depth 15 mm**



**General ordering data**

Type	TS35X15 ST KTB2215 HOR	Version
Order No.	<a href="#">8000073108</a>	Rail, TS 35, TS 35 x 15, Width: 91 mm, without slot, Steel, galvanic
GTIN (EAN)	4064675340584	zinc plated and passivated
Qty.	20 pc(s).	
Type	TS35X15 ST KTB2215 VER	Version
Order No.	<a href="#">8000073109</a>	Rail, TS 35, TS 35 x 15, Width: 174 mm, without slot, Steel, galvanic
GTIN (EAN)	4064675340591	zinc plated and passivated
Qty.	20 pc(s).	

# Mouser Electronics

Authorized Distributor

Click to View Pricing, Inventory, Delivery & Lifecycle Information:

[Weidmuller:](#)

[1194590000](#)