

## TOZ 12VDC 24VDC2A

**Weidmüller Interface GmbH & Co. KG**

Klingenbergstraße 26

D-32758 Detmold

Germany

[www.weidmueller.com](http://www.weidmueller.com)

### Product image



Similar to illustration

- 1 NO contact
- Type: Triac (zero-cross switch), MOS-FET, Bipolar transistor
- 2 A DC, 0,1 A DC, 1 A AC output current
- Input voltages 5 V DC and 12 V DC with coloured marking: DC: blue

### General ordering data

|            |  |
|------------|--|
| Version    | TERMSERIES, Solid-state relay, Rated control voltage: 12 V DC $\pm 20\%$ , Rated switching voltage: 3...33 V DC, Continuous current: 2 A, Tension-clamp connection |
| Order No.  | <a href="#">1127280000</a>   |
| Type       | TOZ 12VDC 24VDC2A  |
| GTIN (EAN) | 4032248908943  |
| Qty.       | 10 pc(s).  |

Creation date January 21, 2022 12:39:30 AM CET

Catalogue status 14.01.2022 / We reserve the right to make technical changes.

## TOZ 12VDC 24VDC2A

Weidmüller Interface GmbH &amp; Co. KG

Klingenbergstraße 26

D-32758 Detmold

Germany

www.weidmueller.com

## Technical data

## Dimensions and weights

|            |         |                 |            |
|------------|---------|-----------------|------------|
| Depth      | 87.8 mm | Depth (inches)  | 3.457 inch |
| Height     | 90.5 mm | Height (inches) | 3.563 inch |
| Width      | 6.4 mm  | Width (inches)  | 0.252 inch |
| Net weight | 30 g    |                 |            |

## Temperatures

|                     |   |                       |                |
|---------------------|---|-----------------------|----------------|
| Storage temperature | -40 °C...70 °C  | Operating temperature | -20 °C...60 °C |
| Humidity            | 5-95% relative humidity,<br>T <sub>u</sub> = 40°C, without condensation |                       |                |

## Probability of failure

|      |           |
|------|-----------|
| MTTF | 998 Years |
|------|-----------|

## Environmental Product Compliance

|            |                |
|------------|----------------|
| REACH SVHC | Lead 7439-92-1 |
|------------|----------------|

## Rated data UL

|   |        |                                    |  |
|---|--------|------------------------------------|--|
| Ambient temperature (operational), max. 60 °C |        | Connection cross-section AWG, min. | AWG 26   |
| Connection cross-section AWG, max.            | AWG 14 | Type of conductor                  | rigid copper conductor,<br>flexible copper conductor |
| Pollution severity level                      | 2      |                                    |  |

## Control side

|  |                |                                       |                   |
|--|----------------|---------------------------------------|-------------------|
| Rated control voltage  | 12 V DC ± 20 % | Nominal control current               | 9.6 mA DC (±20 %) |
| Power rating   | 112 mW         | Pull-in/drop-out voltage, typ.        | 5.2 V / 4.5 V DC  |
| Status indicator   | Green LED      | Protective circuit                    | Rectifier         |
| Coil voltage of the replacement relay deviating from the rated control voltage | Yes            | Coil voltage of the replacement relay | 5 V DC            |

## Load side

|   |              |                               |                        |
|---|--------------|-------------------------------|------------------------|
| Rated switching voltage                       | 3...33 V DC  | Continuous current            | 2 A                    |
| Voltage drop at max. load                     | ≤ 120 mV     | Min. switching current        | 5 mA                   |
| Inrush current                                | 15 A / 10 ms | Leakage current               | < 10 µA                |
| Switch-on delay                               | ≤ 9 µs       | Switch-off delay              | < 0.5 ms               |
| max. switching frequency (DC control voltage) | 300 Hz       | Protective circuit, load side | Free-wheeling diode    |
| Short-circuit-proof                           | No           | Contact type                  | 1 NO contact (MOS-FET) |

## General data

|                                    |                          |                |  |
|------------------------------------|--------------------------|----------------|--|
| Rail                               | TS 35                    |                |  |
| Test button available              | No                       |                |  |
| Colour                             | black                    |                |  |
| UL94 flammability rating component | Component                | Housing        |  |
|                                    | UL94 flammability rating | V-0            |  |
|                                    | Component                | Retaining clip |  |
|                                    | UL94 flammability rating | V-0            |  |

Creation date January 21, 2022 12:39:30 AM CET

Catalogue status 14.01.2022 / We reserve the right to make technical changes.

## TOZ 12VDC 24VDC2A

**Weidmüller Interface GmbH & Co. KG**  
 Klingenbergstraße 26  
 D-32758 Detmold  
 Germany

www.weidmueller.com

## Technical data

### Insulation coordination

|  |                       |   |                              |
|--|-----------------------|---|------------------------------|
| Rated voltage                                    | 300 V                 | Pollution severity  | 2                            |
| Surge voltage category                           | III                   | Clearance and creepage distances for control side - load side | ≥ 5.5 mm                     |
| Dielectric strength for control side - load side | 2.5 kV <sub>eff</sub> | Dielectric strength to mounting rail                          | 4 kV <sub>eff</sub> / 1 Min. |
| Impulse withstand voltage                        | 6 kV (1.2/50 μs)      | Protection degree   | IP20                         |

### Further details of approvals / standards

|                         |              |                         |            |
|-------------------------|--------------|-------------------------|------------|
| Standards               | DIN EN 50178 | Certificate No. (DNVGL) | TAA00001E5 |
| Certificate no. (cULus) | E141197      |                         |            |

### Connection data

|   |                          |   |                      |
|---|--------------------------|---|----------------------|
| Wire connection method  | Tension-clamp connection | Stripping length, rated connection  | 8 mm                 |
| Clamping range, rated connection  | 1.5 mm <sup>2</sup>      | Clamping range, min.  | 0.14 mm <sup>2</sup> |
| Clamping range, max.  | 2.5 mm <sup>2</sup>      | Wire connection cross section AWG, min.   | AWG 26               |
| Wire connection cross section AWG, max.   | AWG 14                   | Wire cross-section, solid, min.   | 0.14 mm <sup>2</sup> |
| Wire cross-section, solid, max.   | 2.5 mm <sup>2</sup>      | Wire cross-section, solid, min. (AWG)   | AWG 26               |
| Wire cross-section, solid, max. (AWG)   | AWG 14                   | Wire connection cross section, finely stranded, min.                                    | 0.14 mm <sup>2</sup> |
| Wire connection cross section, finely stranded, max.                                    | 2.5 mm <sup>2</sup>      | Wire cross-section, finely stranded, min. (AWG)   | AWG 26               |
| Wire cross-section, finely stranded, max. (AWG)   | AWG 14                   | Wire connection cross-section, finely stranded with wire-end ferrules DIN 46228/4, min. | 0.14 mm <sup>2</sup> |
| Wire connection cross-section, finely stranded with wire-end ferrules DIN 46228/4, max. | 1.5 mm <sup>2</sup>      | Conductor cross-section, flexible, AEH (DIN 46228-1), min.                              | 0.14 mm <sup>2</sup> |
| Conductor cross-section, flexible, AEH (DIN 46228-1), max.                              | 1.5 mm <sup>2</sup>      | Twin wire-end ferrules, min.  | 0.5 mm <sup>2</sup>  |
| Twin wire-end ferrules, max.  | 1 mm <sup>2</sup>        | Blade size  | 0.6 x 3.5 mm         |
| Gauge to IEC 60947-1  | A1, B1                   |   |                      |

### Classifications

|             |             |             |             |
|-------------|-------------|-------------|-------------|
| ETIM 6.0    | EC001504    | ETIM 7.0    | EC001504    |
| ETIM 8.0    | EC001504    | ECLASS 9.0  | 27-37-16-04 |
| ECLASS 9.1  | 27-37-16-04 | ECLASS 10.0 | 27-37-16-04 |
| ECLASS 11.0 | 27-37-16-04 |             |             |

### Approvals

Approvals



|                       |         |
|-----------------------|---------|
| ROHS                  | Conform |
| UL File Number Search | E141197 |

**TOZ 12VDC 24VDC2A**

**Weidmüller Interface GmbH & Co. KG**  
Klingenbergstraße 26  
D-32758 Detmold  
Germany

[www.weidmueller.com](http://www.weidmueller.com)

**Technical data****Downloads**

|   |   |
|---|---|
| Approval/Certificate/Document of Conformity | <a href="#">EU Konformitätserklärung / EU Declaration of Conformity</a> |
| Engineering Data                            | <a href="#">CAD data – STEP</a>   |
| Engineering Data                            | <a href="#">EPLAN, WSCAD, Zuken E3.S</a>                                |
| User Documentation                          | <a href="#">Beipackzettel / Package Insert – multilingual</a>           |
| Catalogues                                  | <a href="#">Catalogues in PDF-format</a>                                |
| Brochures                                   |   |

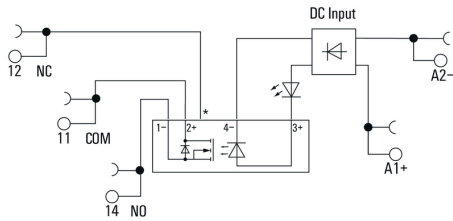
**TOZ 12VDC 24VDC2A**

**Weidmüller Interface GmbH & Co. KG**  
 Klingenbergstraße 26  
 D-32758 Detmold  
 Germany

[www.weidmueller.com](http://www.weidmueller.com)

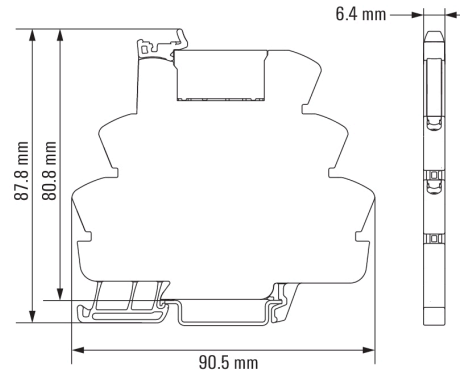
**Drawings**

**Wiring diagram**



\*Contact is assembled in socket but not used with solid-state relays

**Dimensional drawing**



## TOZ 12VDC 24VDC2A

Weidmüller Interface GmbH &amp; Co. KG

Klingenbergstraße 26

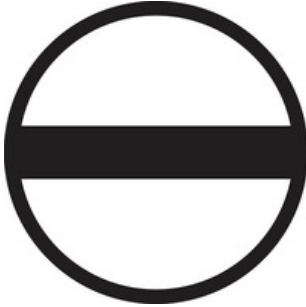
D-32758 Detmold

Germany

www.weidmueller.com

## Accessories

## Slotted screwdriver



VDE insulated screwdriver sets, for working on live parts up to 1000 V AC and 1500 V DC, DIN EN 60900. IEC 900. Each piece is "GS" safety tested. Blade made from fully hardened, high-alloy chromium-vanadium-molybdenum steel, gun-metal finish.

## General ordering data

| Type       | SDIS SLIM 0.6X3.5X100      | Version   |
|------------|----------------------------|---|
| Order No.  | <a href="#">2749610000</a> | Mounting tool, Blade width (B): 3.5 mm, Blade length: 100 mm, Blade |
| GTIN (EAN) | 4050118896350              | thickness (A): 0.6 mm   |
| Qty.       | 1 pc(s).                   |   |

## Cross-connections



## Adjustable cross-connections

Increase the flexibility of your cross-connections. The TERM SERIES CROSS-CONNECTION (TCC) enables individually adjustable cross-connections with up to 51 poles. The maximum number of pluggable poles has been increased to 32 poles. The strip material can be shortened to the required length very easily. The cross-connectors convince thanks to their easy handling and visibility as well as their universal connection possibilities. An additional web prevents the spring from deforming during assembly.

- Individually adjustable cross-connection with 51 poles
- Additional bar to avoid deformation of the spring
- Increased cross-connection – up to 32 poles possible
- Vibration resistance

## General ordering data

| Type       | TCC 6.4/10 BL              | Version                     |
|------------|----------------------------|-----------------------------|
| Order No.  | <a href="#">2556440000</a> | TERMSERIES, Cross-connector |
| GTIN (EAN) | 4050118566956              |                             |
| Qty.       | 10 pc(s).                  |                             |
| Type       | TCC 12.8/26 RD             | Version                     |
| Order No.  | <a href="#">2556420000</a> | TERMSERIES, Cross-connector |
| GTIN (EAN) | 4050118566932              |                             |
| Qty.       | 10 pc(s).                  |                             |
| Type       | TCC 6.4/51 BL              | Version                     |
| Order No.  | <a href="#">2556450000</a> | TERMSERIES, Cross-connector |
| GTIN (EAN) | 4050118566963              |                             |
| Qty.       | 10 pc(s).                  |                             |
| Type       | TCC 6.4/2 BL               | Version                     |
| Order No.  | <a href="#">2556430000</a> | TERMSERIES, Cross-connector |
| GTIN (EAN) | 4050118566949              |                             |
| Qty.       | 10 pc(s).                  |                             |

Creation date January 21, 2022 12:39:30 AM CET

## TOZ 12VDC 24VDC2A

**Weidmüller Interface GmbH & Co. KG**  
 Klingenbergstraße 26  
 D-32758 Detmold  
 Germany

www.weidmueller.com

## Accessories

|            |                            |                             |
|------------|----------------------------|-----------------------------|
| Type       | TCC 6.4/10 OR              | Version                     |
| Order No.  | <a href="#">2556360000</a> | TERMSERIES, Cross-connector |
| GTIN (EAN) | 4050118566673              |                             |
| Qty.       | 10 pc(s).                  |                             |
| Type       | TCC 6.4/2 BK               | Version                     |
| Order No.  | <a href="#">2556470000</a> | TERMSERIES, Cross-connector |
| GTIN (EAN) | 4050118566987              |                             |
| Qty.       | 10 pc(s).                  |                             |
| Type       | TCC 6.4/10 RD              | Version                     |
| Order No.  | <a href="#">2556400000</a> | TERMSERIES, Cross-connector |
| GTIN (EAN) | 4050118566918              |                             |
| Qty.       | 10 pc(s).                  |                             |
| Type       | TCC 6.4/2 OR               | Version                     |
| Order No.  | <a href="#">2556350000</a> | TERMSERIES, Cross-connector |
| GTIN (EAN) | 4050118566826              |                             |
| Qty.       | 10 pc(s).                  |                             |
| Type       | TCC 6.4/10 BK              | Version                     |
| Order No.  | <a href="#">2556480000</a> | TERMSERIES, Cross-connector |
| GTIN (EAN) | 4050118566994              |                             |
| Qty.       | 10 pc(s).                  |                             |
| Type       | TCC 12.8/26 BL             | Version                     |
| Order No.  | <a href="#">2556460000</a> | TERMSERIES, Cross-connector |
| GTIN (EAN) | 4050118566970              |                             |
| Qty.       | 10 pc(s).                  |                             |
| Type       | TCC 6.4/51 RD              | Version                     |
| Order No.  | <a href="#">2556410000</a> | TERMSERIES, Cross-connector |
| GTIN (EAN) | 4050118566925              |                             |
| Qty.       | 10 pc(s).                  |                             |
| Type       | TCC 12.8/26 OR             | Version                     |
| Order No.  | <a href="#">2556380000</a> | TERMSERIES, Cross-connector |
| GTIN (EAN) | 4050118566697              |                             |
| Qty.       | 10 pc(s).                  |                             |
| Type       | TCC 6.4/2 RD               | Version                     |
| Order No.  | <a href="#">2556390000</a> | TERMSERIES, Cross-connector |
| GTIN (EAN) | 4050118566901              |                             |
| Qty.       | 10 pc(s).                  |                             |
| Type       | TCC 6.4/51 BK              | Version                     |
| Order No.  | <a href="#">2556490000</a> | TERMSERIES, Cross-connector |
| GTIN (EAN) | 4050118567007              |                             |
| Qty.       | 10 pc(s).                  |                             |
| Type       | TCC 6.4/51 OR              | Version                     |
| Order No.  | <a href="#">2556370000</a> | TERMSERIES, Cross-connector |
| GTIN (EAN) | 4050118566680              |                             |
| Qty.       | 10 pc(s).                  |                             |
| Type       | TCC 12.8/26 BK             | Version                     |
| Order No.  | <a href="#">2556500000</a> | TERMSERIES, Cross-connector |
| GTIN (EAN) | 4050118567014              |                             |
| Qty.       | 10 pc(s).                  |                             |

**TOZ 12VDC 24VDC2A**

**Weidmüller Interface GmbH & Co. KG**  
 Klingenbergstraße 26  
 D-32758 Detmold  
 Germany

www.weidmueller.com

**Accessories**

**Blank**



WS markers are the perfect match for the W-series connectors. Thanks to their system compatibility, the WS tags can also be used with the I-series and the Z-series. The large marking surfaces do not only permit long character strings but also multi-line text. WS markers are ideal for labels with long, customised character strings. Thanks to the proven MultiCard format, printing with PrintJet CONNECT oder/or Plotter is possible.

- Can be fitted in strips or individually
- Markers in proven MultiCard format

**For custom printing:** Please send us a file of our labeling software M-Print PRO or M-Print PRO Online (without installation) for your labeling specifications.

**General ordering data**

|            |                            |  |
|------------|----------------------------|--|
| Type       | WS 10/6 M MC NE WS         | Version  |
| Order No.  | <a href="#">1818400000</a> | WS, Terminal marker, 10 x 6 mm, Pitch in mm (P): 6.00 Weidmueller, |
| GTIN (EAN) | 4032248310876              | Allen-Bradley, white   |
| Qty.       | 600 pc(s).                 |  |



## TOZ 12VDC 24VDC2A

**Weidmüller Interface GmbH & Co. KG**  
 Klingenbergstraße 26  
 D-32758 Detmold  
 Germany

www.weidmueller.com

## Accessories

## Partition plate



## Versatile separation plates

Separation plates can be used to group together signals visually, to electrically isolate modules and to insert markings for a better overview. This makes them a particularly versatile accessory. Separation plates increase the clearance and creepage distances between two modules, thus increasing the rated insulation voltage between two modules to up to 600 V. Double separation plates can be marked with WAD5 or WS10/5 markers and enable continuous cross-connections. Installation is made easier with the perforations to individually break out the cross-connection channels.

- Partition plates visually separates groups from each other
- Indentations for individual breaking out the crossconnection channels
- Partition plates isolates between two modules by increasing the clearance and creepage distances of up to 600 V

## General ordering data

| Type       | TW TXS/TXZ R3.2            | Version                     |
|------------|----------------------------|-----------------------------|
| Order No.  | <a href="#">1240800000</a> | TERMSERIES, Partition plate |
| GTIN (EAN) | 4050118028188              |                             |
| Qty.       | 10 pc(s).                  |                             |

## ZQV

## General ordering data

| Type       | ZQV 1.5N/R6.4/10 BL        | Version                     |
|------------|----------------------------|-----------------------------|
| Order No.  | <a href="#">1390350000</a> | TERMSERIES, Cross-connector |
| GTIN (EAN) | 4050118190793              |                             |
| Qty.       | 10 pc(s).                  |                             |
| Type       | ZQV 1.5N/R6.4/2 BL         | Version                     |
| Order No.  | <a href="#">1446140000</a> | TERMSERIES, Cross-connector |
| GTIN (EAN) | 4050118251074              |                             |
| Qty.       | 10 pc(s).                  |                             |

Creation date January 21, 2022 12:39:30 AM CET

## TOZ 12VDC 24VDC2A

**Weidmüller Interface GmbH & Co. KG**  
 Klingenbergstraße 26  
 D-32758 Detmold  
 Germany

www.weidmueller.com

## Accessories

|            |                            |                             |
|------------|----------------------------|-----------------------------|
| Type       | ZQV 1.5N/R6.4/2 GE         | Version                     |
| Order No.  | <a href="#">1193670000</a> | TERMSERIES, Cross-connector |
| GTIN (EAN) | 4032248976638              |                             |
| Qty.       | 10 pc(s).                  |                             |
| Type       | ZQV 1.5N/R6.4/10 RT        | Version                     |
| Order No.  | <a href="#">1391640000</a> | TERMSERIES, Cross-connector |
| GTIN (EAN) | 4050118191660              |                             |
| Qty.       | 10 pc(s).                  |                             |
| Type       | ZQV 1.5N/R6.4/19 BL        | Version                     |
| Order No.  | <a href="#">1391620000</a> | TERMSERIES, Cross-connector |
| GTIN (EAN) | 4050118191813              |                             |
| Qty.       | 10 pc(s).                  |                             |
| Type       | ZQV 1.5N/R6.4/19 RT        | Version                     |
| Order No.  | <a href="#">1391610000</a> | TERMSERIES, Cross-connector |
| GTIN (EAN) | 4050118191783              |                             |
| Qty.       | 10 pc(s).                  |                             |
| Type       | ZQV 1.5N/R6.4/19 SW        | Version                     |
| Order No.  | <a href="#">1391600000</a> | TERMSERIES, Cross-connector |
| GTIN (EAN) | 4050118191806              |                             |
| Qty.       | 10 pc(s).                  |                             |
| Type       | ZQV 1.5N/R6.4/10 GE        | Version                     |
| Order No.  | <a href="#">1193680000</a> | TERMSERIES, Cross-connector |
| GTIN (EAN) | 4032248976454              |                             |
| Qty.       | 10 pc(s).                  |                             |
| Type       | ZQV 1.5N/R6.4/2 SW         | Version                     |
| Order No.  | <a href="#">1446040000</a> | TERMSERIES, Cross-connector |
| GTIN (EAN) | 4050118251067              |                             |
| Qty.       | 10 pc(s).                  |                             |
| Type       | ZQV 1.5N/R6.4/10 SW        | Version                     |
| Order No.  | <a href="#">1391630000</a> | TERMSERIES, Cross-connector |
| GTIN (EAN) | 4050118191776              |                             |
| Qty.       | 10 pc(s).                  |                             |
| Type       | ZQV 1.5N/R6.4/2 RT         | Version                     |
| Order No.  | <a href="#">1446090000</a> | TERMSERIES, Cross-connector |
| GTIN (EAN) | 4050118250886              |                             |
| Qty.       | 10 pc(s).                  |                             |
| Type       | ZQV 1.5N/R6.4/19 GE        | Version                     |
| Order No.  | <a href="#">1193690000</a> | TERMSERIES, Cross-connector |
| GTIN (EAN) | 4032248976645              |                             |
| Qty.       | 10 pc(s).                  |                             |

## TOZ 12VDC 24VDC2A

**Weidmüller Interface GmbH & Co. KG**

Klingenbergstraße 26

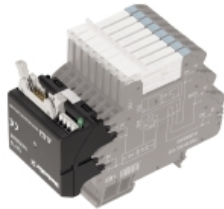
D-32758 Detmold

Germany

www.weidmueller.com

## Accessories

### Interface adapters



Faster signal wiring with less space

To reduce wiring times, pre-assembled cables are used between the control system and the interface level and are simply connected to the TERMSERIES adapter. This enables throughput times in electrical cabinet building to be significantly reduced. The adapter has a universal fit and offers a genuine space advantage in interaction with the TERMSERIES products with identical contours.

- Reduced wiring time due to plug-and-play concept with pre-assembled cables
- Can be applied to the input and output sides of the TERMSERIES
- Ready for plus and minus switching logic
- High space-saving due to universal fit to other TERMSERIES products

### General ordering data

|            |                            |   |
|------------|----------------------------|---|
| Type       | TIAL F20                   | Version   |
| Order No.  | <a href="#">1463550000</a> | TERMSERIES, Adapter, 20-pole plug according to DIN EN 60603-13,         |
| GTIN (EAN) | 4050118331783              | long locking lever, Number of signal paths: 16, Rated voltage : 24 V    |
| Qty.       | 1 pc(s).                   | DC, Rated current (per signal path): 60 mA                              |
| Type       | TIA F10                    | Version   |
| Order No.  | <a href="#">1463520000</a> | TERMSERIES, Adapter, 10-pole plug according to DIN EN 60603-13,         |
| GTIN (EAN) | 4050118323535              | long locking lever, Number of signal paths: 8, Rated voltage : 24 V DC, |
| Qty.       | 1 pc(s).                   | Rated current (per signal path): 125 mA                                 |
| Type       | TIA SUBD 15S               | Version   |
| Order No.  | <a href="#">1463530000</a> | TERMSERIES, Adapter, Sub-D, 15-pole, DIN 41652 / IEC 60807,             |
| GTIN (EAN) | 4050118323542              | Number of signal paths: 8, Rated voltage : 24 V DC, Rated current (per  |
| Qty.       | 1 pc(s).                   | signal path): 125 mA  |

## TOZ 12VDC 24VDC2A

**Weidmüller Interface GmbH & Co. KG**  
Klingenbergstraße 26  
D-32758 Detmold  
Germany

www.weidmueller.com

## Accessories

## Supply module



## Space-saving supply modules

Our supply terminals enable potentials to be fed at the input – e.g. neutral or minus potentials – or switched potentials to be fed at the output. In conjunction with precisely fitting cross-connections from the TEMR SERIES, the connections for the cables on the relay module remain free for the cables on the relay module remain free for actuators or sensors. No additional feed-through terminal blocks are required, resulting in huge space savings in the panel. At the same time, the wiring is simplified as no double wire-end ferrules are required for the potential feed.

## General ordering data

|            |                            |  |
|------------|----------------------------|--|
| Type       | TXZ SUPPLY                 | Version  |
| Order No.  | <a href="#">1240790000</a> | TERMSERIES, Supply module, Number of contacts: 5, , Continuous |
| GTIN (EAN) | 4050118028164              | current: 10 A, Tension-clamp connection                        |
| Qty.       | 10 pc(s).                  |  |
| Type       | TXS SUPPLY                 | Version  |
| Order No.  | <a href="#">1240780000</a> | TERMSERIES, Supply module, Number of contacts: 5, , Continuous |
| GTIN (EAN) | 4050118028140              | current: 10 A, Screw connection                                |
| Qty.       | 10 pc(s).                  |  |
| Type       | TXP SUPPLY                 | Version  |
| Order No.  | <a href="#">2618940000</a> | TERMSERIES, Supply module, Number of contacts: 5, , Continuous |
| GTIN (EAN) | 4050118667592              | current: 10 A, PUSH IN   |
| Qty.       | 10 pc(s).                  |  |

## Slotted screwdriver



Slotted screwdriver with rounded blade SD DIN 5265, ISO 2380/2, output to DIN 5264, ISO 2380/1. ChromTop tip, SoftFinish grip

## General ordering data

|            |                            |  |
|------------|----------------------------|--|
| Type       | SD TO 0,6X3,0              | Version  |
| Order No.  | <a href="#">2749560000</a> | Screwdriver, Blade width (B): 3 mm, Blade length: 70 mm, Blade |
| GTIN (EAN) | 4050118895889              | thickness (A): 0.6 mm  |
| Qty.       | 1 pc(s).                   |  |

**Data sheet****TOZ 12VDC 24VDC2A**

**Weidmüller Interface GmbH & Co. KG**  
Klingenbergstraße 26  
D-32758 Detmold  
Germany

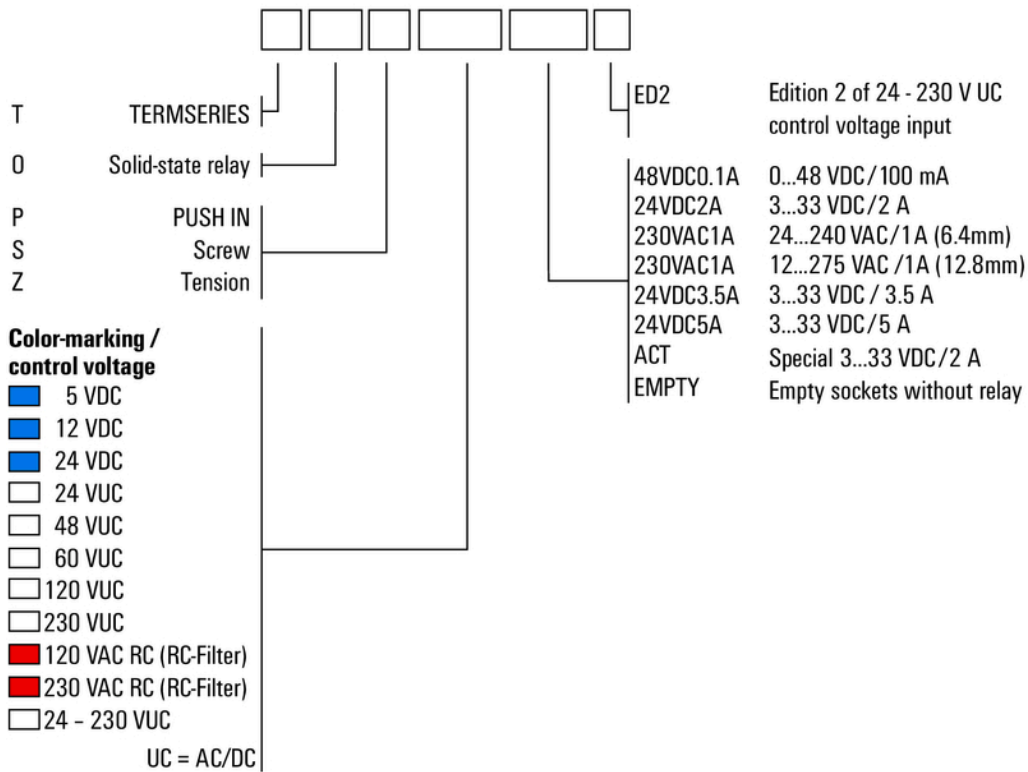
[www.weidmueller.com](http://www.weidmueller.com)

**Accessories**

|            |                            |   |
|------------|----------------------------|---|
| Type       | SDS 0.6X3.5X100            | Version   |
| Order No.  | <a href="#">2749340000</a> | Screwdriver, Blade width (B): 3.5 mm, Blade length: 100 mm, Blade |
| GTIN (EAN) | 4050118895568              | thickness (A): 0.6 mm   |
| Qty.       | 1 pc(s).                   |   |

**Miscellaneous**

**Type code TERMSERIES solid-state relay versions**



Type codes

# Mouser Electronics

Authorized Distributor

Click to View Pricing, Inventory, Delivery & Lifecycle Information:

[Weidmuller:](#)

[1127280000](#)