

**IE-BSC-V14M-RJ45-FJ-A****Weidmüller Interface GmbH & Co. KG**

Klingenbergstraße 26

D-32758 Detmold

Germany

www.weidmueller.com



PushPull plug-in connector set according to IEC  
61076-3-117 ver.14 (PROFINET), metal incl. RJ45 insert

**General ordering data**

Version	Flange RJ45, IP67, Variant 14 metal, RJ45 IDC module, Central locking flange with RJ45 adapter, Cat.6 <sub>A</sub> / Class E <sub>A</sub> (ISO/IEC 11801 2010)
Order No.	<a href="#">1058270000</a>
Type	IE-BSC-V14M-RJ45-FJ-A
GTIN (EAN)	4032248799367
Qty.	10 pc(s).

Creation date September 15, 2022 10:50:26 PM CEST

Catalogue status 09.09.2022 / We reserve the right to make technical changes.

## IE-BSC-V14M-RJ45-FJ-A

Weidmüller Interface GmbH &amp; Co. KG

Klingenbergstraße 26

D-32758 Detmold

Germany

www.weidmueller.com

## Technical data

## Dimensions and weights

Net weight 80.5 g

## Temperatures

Operating temperature -40 °C...70 °C

## Environmental Product Compliance

REACH SVHC	Lead 7439-92-1, 6,6'-di-tert-butyl-2,2'-methylenedi-p-cresol 119-47-1	SCIP	e5bbf197-73b5-420b-90c0-0173b7b
------------	---	------	---------------------------------

## General data

Connection 1	RJ45	Connection 2	IDC
Description of article	Variant 14 metal, RJ45 IDC module, Central locking flange with RJ45 adapter	Wiring	TIA-568A
Seal material	NBR	Insulation cross-section, max.	1.6
Category	Cat.6A / Class EA (ISO/IEC 11801 2010)	Connection diameter, solid	0.4...0.64
Conductor connection cross-section, solid (AWG)	AWG 24...AWG 22	Connection diameter, flexible	0.48
Conductor connection cross-section, flexible (AWG)	AWG 26...AWG 22	Sheath diameter, min.	5 mm
Sheath diameter, max.	10 mm	Type of mounting	Central cable gland
Shielding	360°; all-round enclosure	Protection degree	IP67

## General standards

Certificate no. (cULus)	E316369	Connector standard	IEC 61076-3-117 Var. 14, IEC 60603-7-51
-------------------------	---------	--------------------	---

## Classifications

ETIM 6.0	EC001121	ETIM 7.0	EC001121
ETIM 8.0	EC001121	ECLASS 9.0	27-44-03-90
ECLASS 9.1	27-44-03-90	ECLASS 10.0	27-44-03-90
ECLASS 11.0	27-44-03-90	ECLASS 12.0	27-44-03-90

## Approvals

Approvals



ROHS	Conform
UL File Number Search	UL Website
Certificate no. (cULus)	E316369

Creation date September 15, 2022 10:50:26 PM CEST

Catalogue status 09.09.2022 / We reserve the right to make technical changes.

2

## IE-BSC-V14M-RJ45-FJ-A

**Weidmüller Interface GmbH & Co. KG**  
Klingenbergstraße 26  
D-32758 Detmold  
Germany

[www.weidmueller.com](http://www.weidmueller.com)

## Technical data

### Downloads

Approval/Certificate/Document of Conformity	<a href="#">ISO/IEC and TIA/EIA DE</a> <a href="#">ISO/IEC EN and TIA/EIA Screened Class E Category 6, 3 connector permanent link</a> <a href="#">ISO/IEC EN and TIA/EIA Screened Class E Category 6, 4 connector channel</a> <a href="#">ISO/IEC EN and TIA/EIA Screened Class EA Category 6A, 2 connector channel</a> <a href="#">Compliance Statement Screened Category 6 ISO/IEC EN and TIA/EIA Connecting Hardware</a> <a href="#">PROFINET Manufacturer's Declaration</a>
Engineering Data	<a href="#">CAD data – STEP</a>
Engineering Data	<a href="#">WSCAD</a>
User Documentation	<a href="#">MAN IE GUIDE DE</a> <a href="#">MAN IE GUIDE EN</a> <a href="#">Designation key / Type key</a>
Catalogues	<a href="#">Catalogues in PDF-format</a>
Brochures	<a href="#">FL FIELDWIRING EN</a> <a href="#">PI PROFINET CABLING EN</a> <a href="#">PI PROFINET CABLING EN</a>

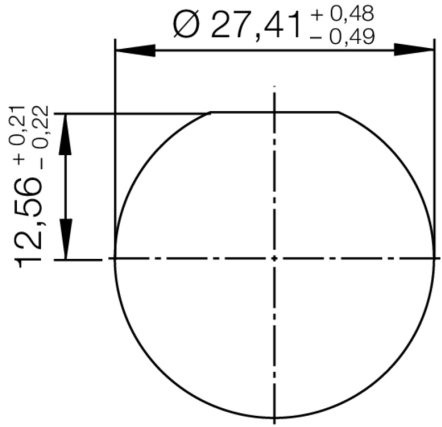
**IE-BSC-V14M-RJ45-FJ-A**

**Weidmüller Interface GmbH & Co. KG**  
Klingenbergstraße 26  
D-32758 Detmold  
Germany

[www.weidmueller.com](http://www.weidmueller.com)

**Drawings**

**Installation cut-out**



# Mouser Electronics

Authorized Distributor

Click to View Pricing, Inventory, Delivery & Lifecycle Information:

[Weidmuller:](#)

[1058270000](#)