

IE-BSC-V14M-RJ45-FJ-A**Weidmüller Interface GmbH & Co. KG**

Klingenbergstraße 26

D-32758 Detmold

Germany

www.weidmueller.com



PushPull plug-in connector set according to IEC
61076-3-117 ver.14 (PROFINET), metal incl. RJ45 insert

General ordering data

Version	Flange RJ45, IP67, Variant 14 metal, RJ45 IDC module, Central locking flange with RJ45 adapter, Cat.6 _A / Class E _A (ISO/IEC 11801 2010)
Order No.	1058270000
Type	IE-BSC-V14M-RJ45-FJ-A
GTIN (EAN)	4032248799367
Qty.	10 pc(s).

Creation date January 19, 2022 6:13:45 PM CET

Catalogue status 14.01.2022 / We reserve the right to make technical changes.

IE-BSC-V14M-RJ45-FJ-A
Weidmüller Interface GmbH & Co. KG

Klingenbergstraße 26

D-32758 Detmold

Germany

www.weidmueller.com

Technical data
Dimensions and weights

Net weight	80.5 g
------------	--------

Temperatures

Operating temperature	-40 °C...70 °C
-----------------------	----------------

Environmental Product Compliance

REACH SVHC	Lead 7439-92-1
------------	----------------

General data

Connection 1	RJ45	Connection 2	IDC
Description of article	Variant 14 metal, RJ45 IDC module, Central locking flange with RJ45 adapter	Wiring	TIA-568A
Seal material	NBR	Insulation cross-section, max.	1.6
Category	Cat.6A / Class EA (ISO/IEC 11801 2010)	Connection diameter, solid	0.4...0.64
Conductor connection cross-section, solid (AWG)	AWG 24...AWG 22	Connection diameter, flexible	0.48
Conductor connection cross-section, flexible (AWG)	AWG 26...AWG 22	Sheath diameter, min.	5 mm
Sheath diameter, max.	10 mm	Type of mounting	Central cable gland
Shielding	360°; all-round enclosure	Protection degree	IP67

General standards

Certificate no. (cULus)	E316369	Connector standard	IEC 61076-3-117 Var. 14, IEC 60603-7-51
-------------------------	---------	--------------------	---

Classifications

ETIM 6.0	EC001121	ETIM 7.0	EC001121
ETIM 8.0	EC001121	ECLASS 9.0	27-44-03-90
ECLASS 9.1	27-44-03-90	ECLASS 10.0	27-44-03-90
ECLASS 11.0	27-44-03-90		

Approvals

Approvals



ROHS	Conform
UL File Number Search	E316369

IE-BSC-V14M-RJ45-FJ-A

Weidmüller Interface GmbH & Co. KG
Klingenbergstraße 26
D-32758 Detmold
Germany

www.weidmueller.com

Technical data

Downloads

Approval/Certificate/Document of Conformity	ISO/IEC and TIA/EIA DE ISO/IEC EN and TIA/EIA Screened Class E Category 6, 3 connector permanent link ISO/IEC EN and TIA/EIA Screened Class E Category 6, 4 connector channel ISO/IEC EN and TIA/EIA Screened Class EA Category 6A, 2 connector channel Compliance Statement Screened Category 6 ISO/IEC EN and TIA/EIA Connecting Hardware PROFINET Manufacturer's Declaration
Engineering Data	WSCAD
User Documentation	MAN IE GUIDE DE MAN IE GUIDE EN Designation key / Type key
Catalogues	Catalogues in PDF-format
Brochures	FL FIELDWIRING EN PI PROFINET CABLING EN PI PROFINET CABLING EN

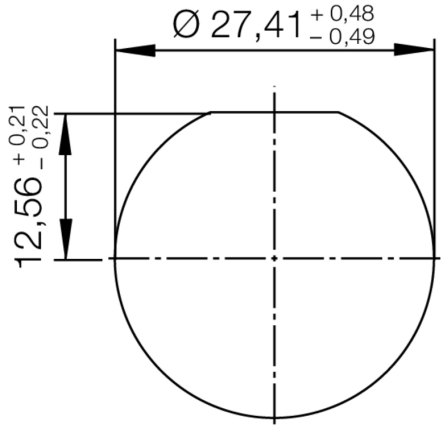
IE-BSC-V14M-RJ45-FJ-A

Weidmüller Interface GmbH & Co. KG
Klingenbergstraße 26
D-32758 Detmold
Germany

www.weidmueller.com

Drawings

Installation cut-out



IE-BSC-V14M-RJ45-FJ-A**Weidmüller Interface GmbH & Co. KG**
Klingenbergstraße 26
D-32758 Detmold
Germanywww.weidmueller.com**Accessories****Dust caps**

For protecting your devices against dust and dirt.

Dust caps**General ordering data**

Type	IE-BP-V14P	Version
Order No.	1058310000	Flange-mounted housing, protective cap
GTIN (EAN)	4032248799404	
Qty.	10 pc(s).	

Mouser Electronics

Authorized Distributor

Click to View Pricing, Inventory, Delivery & Lifecycle Information:

[Weidmuller:](#)

[1058270000](#)