

KLIPPON STB 2 SS

Weidmüller Interface GmbH & Co. KG

Klingenbergstraße 26

D-32758 Detmold

Germany

www.weidmueller.com

Similar to illustration



Ideally suited for the energy, process and transportation industries, the Klippon® STB enclosure series is the perfect complement to our existing Klippon® enclosure portfolio. Enclosures in this series are approved according to international standards such as e.g. EN62208 and EN60079-0/7 (ATEX).

- Mirror-polished or electropolished stainless steel 1.4404 (316L), 1.5 mm
- High-temperature-resistant seal as standard - extended temperature range of -60°C to +100°C for Ex application (+120°C only for industrial application)
- Approved according to ATEX, IECEx, cULus, Lloyds Register, Germanischer Lloyd, GL DNV and INMETRO
- Flexible options for fastening the internal mounting rail
- IP66 protection
- Secure, permanent function of the seal is ensured by seal compression protection
- Earthing stud in the cover and base of the enclosure
- Laser cut weld seams for increased quality
- Already welded-on mounting feet guarantee optimum enclosure installation

Weidmüller can manufacture and supply this enclosure - according to customer specifications - fitted with all necessary terminals and cable glands.

General ordering data

Version	Klippon STB (Small Terminal Box), Empty enclosure, stainless steel enclosure, Height: 150 mm, Width: 150 mm, Depth: 90 mm, Material: Stainless steel 1.4404 (316L), Mirror polished, silver
Order No.	1002740000
Type	KLIPPON STB 2 SS
GTIN (EAN)	4032248695676
Qty.	1 pc(s).

KLIPPON STB 2 SS

Weidmüller Interface GmbH & Co. KG

Klingenbergstraße 26

D-32758 Detmold

Germany

www.weidmueller.com

Technical data

Dimensions and weights

Depth	90 mm	Depth (inches)	3.543 inch
Height	150 mm	Height (inches)	5.905 inch
Width	150 mm	Width (inches)	5.905 inch
Mounting dimension - width	175 mm	Weight	1.63 kg
Net weight	1,708 g		

Temperatures

Operating temperature	-60 °C...100 °C
-----------------------	-----------------

Cable glands, left

M12	15	M16	10
M20	8	M25	3
M32	3	M40	2
M50	1		

Cable glands, right

M12	15	M16	8
M20	6	M25	2
M32	2	M40	2
M50	1		

Cable glands, top/bottom

M12	15	M16	10
M20	8	M25	3
M32	3	M40	2
M50	1		

Certificate numbers enclosure

Approval conditions	ATEX, DNV, EAC, IECEX, INMETRO, LR, RMRS, UL AEx Class Div., UL AEx Class Zone, cULus, KC, CCC	Attestation of Conformatiy No. (AoC)	DE PS2620 160308 001ISS02
Certificate No. (ATEX)	IBEXU07ATEX1147U	Certificate No. (EAC)	C-DE.HB07.B.00089-20
Certificate No. (IECEX)	IECEXIBE09.0019	Certificate No. (LLOYDSREG)	08_20032
Certificate no. (INMETRO)	IEX13.0002U	Certificate no. (cULus)	E256877
Certificate no. Terminal Box (AEx)	E223792	Certificate no. Terminal Box (ATEX)	IBEXU07ATEX1148
Certificate no. Terminal Box (EAC)	C-DE.HB07.B.00089/20 Ex Terminal Box; C-DE.AD54.B.00251/19 Ind. Terminal Box	Certificate no. Terminal Box (IECEX)	IECEX IBE 09.0019
Certificate no. Terminal Box (INMETRO)	LMP 21.0018	Certificate no. Terminal Box (KOSHA)	16-AV4BO-0247X
Certificate no. empty enclosure (ATEX)	IBEXU 07ATEX1147U	Certificate no. empty enclosure (IECEX)	IECEX IBE 09.0018U
Certificate no. empty enclosure (INMETRO)	IEx 13.0002U	Certificate no., empty enclosure (EAC)	C-DE.HB07.B.00089/20
Declaration of Conformatiy No. (DoC LVD)	DE PS2620 160412 001ISS01		

KLIPPON STB 2 SS

Weidmüller Interface GmbH & Co. KG

Klingenbergstraße 26

D-32758 Detmold

Germany

www.weidmueller.com

Technical data

General information

Access opening: height	130 mm	Access opening: width	132 mm
Areas of use	Explosive risk zone, Packaging industry, Transportation, Process industry, Marine engineering	Enclosure attachment	Welded-on mounting foot with 8-mm holes
Flange plate	No	Halogen	No
Impact resistance	10 J version standard, 7 J ATEX version	Integral fixing	TAS 20 rail welded to floor
Lid	Yes	Lid attachment	M5 hexagonal screw with slot and 10mm distance across flats
Material	Stainless steel 1.4404 (316L)	Material thickness of cover	1.5 mm
Material thickness of enclosure	1.5 mm	Number of lid screws	4
Operating temperature, max.	100 °C	Operating temperature, min.	-60 °C
Protection class (UL)	Type 4, Type 4x	Protection degree	IP66
Seal material	Silicone	Surface finish	Mirror polished
Torque for lid screws	2.5 Nm		

Housing earth

Cross-section , max.	25 mm ²	Earth, enclosure, cover	Welded-on M6 x 10 stainless-steel earth stud
Earth, enclosure, external	Welded-on M6 x 16 stainless-steel bolts	Earth, enclosure, internal	Welded-on M6 x 16 stainless-steel bolts

vertical assembly

WDU 10 / ZDU 10	1x11	WDU 16 / ZDU 16	1x9
WDU 2,5 / ZDU 2,5 / IDU 2,5	1x23	WDU 4 / ZDU 4	1x19
WDU 6 / ZDU 6	1x14		

Classifications

ETIM 6.0	EC002503	ETIM 7.0	EC002503
ETIM 8.0	EC002503	ECLASS 9.0	27-18-05-02
ECLASS 9.1	27-18-05-02	ECLASS 10.0	27-18-05-02
ECLASS 11.0	27-18-05-02		

Important note

Product information	The ambient temperature for the assembly will be reduced to +60°C and the surface temperature to +100°C.
---------------------	--

KLIPPON STB 2 SS

Weidmüller Interface GmbH & Co. KG

Klingenbergstraße 26

D-32758 Detmold

Germany

www.weidmueller.com

Technical data

Approvals

Approvals



ROHS	Conform
UL File Number Search	E256877

Downloads

Approval/Certificate/Document of Conformity	C-DE.HB07.B.00089-Empty Enclosures and Ex. Terminal Box C-DE.AJ54.B.00251.19 Ind. Terminal Box CCC 2020322303002356 STB Assembly Enclosure Attestation of Conformity - Klippon STB Empty Enclosures - AoC DE PS2620 160308 001ISS04 RUC-DE.BE02.B.00173 08_20032 IBEXU07ATEX1148 IECEXIBE09.0018U IECEXIBE09.0019 IEX13.0002U IEX13.0003 15.40041.250 16-AV4BO-247X 59358-08 IBEXU07ATEX1147U INMETRO Certificado LMP 21.0018 KLIPPON STB EU Declaration of Conformity - Klippon STB Empty Enclosures Ex - DoC DE PS2620 160412 001ISS01
Engineering Data	CAD data – STEP
Engineering Data	EPLAN, WSCAD
Tender specification	Klippon STB 2 SS_1002740000_DE Klippon STB 2 SS_1002740000_EN
User Documentation	Assembly guidelines - empty enclosures
Catalogues	Catalogues in PDF-format
Brochures	MB OVERV. PROCESS WD DE MB KLIPPON ENCL.TECN EN MB PROCESS EN FL KLIPPON STB EN FL SHIPBUILDING 2016 EN FL SHIPBUILDING 2016 EN

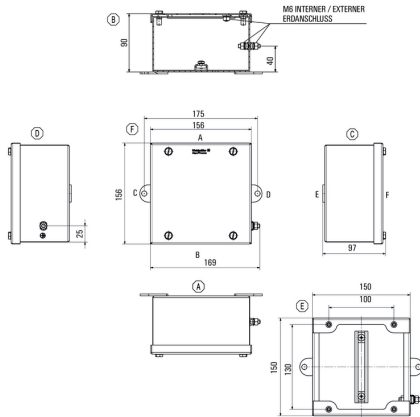
KLIPPON STB 2 SS

Weidmüller Interface GmbH & Co. KG
Klingenbergstraße 26
D-32758 Detmold
Germany

Drawings

www.weidmueller.com

Dimensioned drawing



KLIPPON STB 2 SS

Weidmüller Interface GmbH & Co. KG
 Klingenbergstraße 26
 D-32758 Detmold
 Germany

www.weidmueller.com

Accessories

Terminal rails - TS35



The system accessories for the Klippon® STB enclosure series allows you to easily adapt the enclosures to meet the specific requirements of every application.

- DIN Rails TS 35
- Mounting screws

Weidmüller can manufacture and supply this enclosure - according to customer specifications - fitted with all necessary terminals and cable glands.

General ordering data

Type	TS35X7.5 ST STB 1.1 STB ...	Version
Order No.	8683740000	Rail, TS 35, TS 35 x 7.5, Width: 110 mm, without slot, Steel, galvanized, chromium-plated
GTIN (EAN)	4050118652765	
Qty.	20 pc(s).	
Type	TS35X15 ST STB 1.1 STB 2	Version
Order No.	8000073218	Rail, TS 35, TS 35 x 15, Width: 110 mm, Steel, galvanic zinc plated and passivated
GTIN (EAN)	4064675356769	
Qty.	20 pc(s).	
Type	SFNS5 VKMU M5 SW15	Version
Order No.	0433500000	Klippon STB (Small Terminal Box), Fixing nut, Material: Steel, galvanized, silver
GTIN (EAN)	4008190494520	
Qty.	20 pc(s).	

Grounding strap

The fully structured range of system accessories for the new Klippon® TB enclosure series allows you to easily adapt the enclosures to meet the specific requirements of every application. The following options are available:

- Closure Elements
- Document holders
- Earthing stud
- Gland plates
- Installation material
- Mounting plates
- Rain hoods
- Spacer
- Terminal rails
- Type label holder

General ordering data

Type	PECD WIRE 6/200/D6 SET	Version
Order No.	2475490000	Klippon TB (Terminal Box), Grounding strap, Sscrewed, Material: Steel, Green/yellow
GTIN (EAN)	4050118487206	
Qty.	1 pc(s).	

KLIPPON STB 2 SS

Weidmüller Interface GmbH & Co. KG
 Klingenbergstraße 26
 D-32758 Detmold
 Germany

www.weidmueller.com

Accessories

Ventilation plugs - DAE



In addition to cable glands for a wide range of applications, the product portfolio is rounded off by plugs, pressure compensation elements, adaptors and the corresponding accessories such as locknuts, sealing rings, flat washers and earthing rings.

General ordering data

Type	DAE M12 PA LONG	Version
Order No.	1868570000	DAE (ventilation element), Compensating element, M 12, 10 mm,
GTIN (EAN)	4032248440429	IP66, IP68, IP69K, Polyamide 6
Qty.	10 pc(s).	
Type	DAE M12 SS	Version
Order No.	1868550000	DAE (ventilation element), Compensating element, M 12, 10 mm,
GTIN (EAN)	4032248440405	IP66, IP68, IP69K, Stainless steel 1.4305 (303)
Qty.	10 pc(s).	

Installation material

**Integrate, expand and customise - the perfect supplement to every application**

The fully structured range of system accessories for the new Klippon® TB enclosure series allows you to easily adapt the enclosures to meet the specific requirements of every application.

Mounting hardware kits

Mounting hardware kits are available for quick and easy installation of type label holders, document holders and rain hoods.

The **label fastening set – SD** is required to install a plastic (Trafolyte) ID or type label. With the aid of this set can you mount the ID or type label directly on the enclosure cover. The label fastening set has been specially developed for this purpose. Only by using this fastening set can you ensure that there will be no leaks into the enclosure or damage to the label.

The **universal fastening set – TPSD** has been developed to enable secure and quick installation of type label holders, rain covers or document holders, for example. By using this fastening set, the risk of leaks can be minimised, if not avoided.

General ordering data

Type	TPSD FIXING SET KTB	Version
Order No.	1252190000	Klippon TB (Terminal Box), Type plate fixings set, Material: Stainless
GTIN (EAN)	4050118043969	steel, rust-proof, untreated, silver
Qty.	1 pc(s).	

Data sheet**KLIPPON STB 2 SS**

Weidmüller Interface GmbH & Co. KG
Klingenbergstraße 26
D-32758 Detmold
Germany

www.weidmueller.com

Accessories

Type	SD FIXING SET	Version
Order No.	1285200000	Klippon TB (Terminal Box), Identification plate fixing set, Material:
GTIN (EAN)	4050118075472	Stainless steel, rust-proof, untreated, silver
Qty.	1 pc(s).	

Mouser Electronics

Authorized Distributor

Click to View Pricing, Inventory, Delivery & Lifecycle Information:

[Weidmuller:](#)

[1002740000](#)