

## KLIPPON K52 RAL7001

**Weidmüller Interface GmbH & Co. KG**

Klingenbergstraße 26

D-32758 Detmold

Germany

[www.weidmueller.com](http://www.weidmueller.com)

### Similar to illustration



The aluminium Klippon® K enclosures are suitable for use in an extremely wide range of different areas. Various components can be installed inside the enclosures, and will benefit in particular from the high temperature resistance, the excellent IP protection and the good impact resistance.

No matter what kind of application the customer is planning, Weidmüller is able to provide a wide range of aluminium enclosures precisely fitting the customer's requirements.

Klippon® K enclosures for hazardous areas are available on request.

Our extensive product range offers the following advantages:

- Available in two surface finishes: natural and powder-coated (RAL 7001)
- With chloroprene moulded seal as standard (silicone moulded seal optionally available)
- Standardised closure system with Torx slotted screw head for 19 enclosure sizes
- Mounting holes outside of the gasket area
- High IP protection classes: IP66, IP67 and IP68 according to DIN EN 60529
- Impact resistance of up to 7 (10) Joules
- The enclosures are approved according ATEX, IECEx, EAC, cULus, Russian Maritime Register and DNV GL as well as the empty enclosure standard.

- Suitable for railway applications according to EN 45545-2:2013
- Alloy is resistant to salt water
- Standardised distributor enclosures with threaded holes and a variety of terminal configurations

### General ordering data

Version	Klippon K (aluminium empty enclosure), Empty enclosure, Aluminium enclosure, Height: 160 mm, Width: 160 mm, Depth: 91 mm, Material: Aluminium AlSi12, Powder-coated, textured, Silver grey
Order No.	<a href="#">9529230000</a>
Type	KLIPPON K52 RAL7001
GTIN (EAN)	4008190918125
Qty.	1 pc(s).
Unassembled to fit rail	<a href="#">1910100000</a>

Creation date September 18, 2022 5:29:36 AM CEST

## KLIPPON K52 RAL7001

**Weidmüller Interface GmbH & Co. KG**

Klingenbergstraße 26

D-32758 Detmold

Germany

www.weidmueller.com

## Technical data

### Dimensions and weights

Depth	91 mm	Depth (inches)	3.583 inch
Height	160 mm	Height (inches)	6.299 inch
Width	160 mm	Width (inches)	6.299 inch
Mounting dimension - height	110 mm	Mounting dimension - width	140 mm
Net weight	1,613 g		

### Temperatures

Operating temperature	-40 °C...80 °C
-----------------------	----------------

### Environmental Product Compliance

REACH SVHC	Lead 7439-92-1	SCIP	9e4cab4e-239c-4e14-b9df-a0fee300d28a
------------	----------------	------	--------------------------------------

### Cable glands, left

M12	8	M16	5
M20	3	M25	2
M32	1		

### Cable glands, right

M12	8	M16	5
M20	3	M25	2
M32	1		

### Cable glands, top/bottom

M12	14	M16	8
M20	5	M25	3
M32	2	M40	1

### Certificate numbers enclosure

Approval conditions	cULus, RMRS, DNV	Certificate No. (DNVGL)	TAE00002SM
Certificate No. (EAC)	C-DE.HB07.B.00089-20	Certificate No. (GERMLLOYD)	TAE00002SM
Certificate No. (MARITREG)	19.00108.272	Certificate no. (cULus)	E197061
Certificate no. Terminal Box (EAC)	C-DE.AJ54.B.00251/19 Ind. Terminal Box	Certificate no., empty enclosure (EAC)	C-DE.HB07.B.00089/20
Declaration of Conformatiy No. (DoC LVD)	DE_PS2410_160412_001ISS01		

**KLIPPON K52 RAL7001****Weidmüller Interface GmbH & Co. KG**

Klingenbergstraße 26

D-32758 Detmold

Germany

www.weidmueller.com

**Technical data****General information**

Access opening: height	151 mm	Access opening: width	151 mm
Areas of use	Process industry, Transportation, Marine engineering, Packaging industry, Harbour facilities, Machine construction	Enclosure attachment	Holes 6 mm
Flange plate	No	Impact resistance	10 J version standard
Integral fixing	Threaded holes M5	Lid	Yes
Lid attachment	M6 torx stainless steel screws with slot	Material	Aluminium AlSi12
Material thickness of cover	4 mm	Material thickness of enclosure	4.5 mm
Note: protection class	IP68 (t=72h, h=1m)	Number of lid screws	4
Operating temperature, max.	80 °C	Operating temperature, min.	-40 °C
Protection class (UL)	Type 4, Type 4x	Protection degree	IP66, IP67, IP68
Seal material	Chloroprene	Standards	EN 45545-2:2013
Surface finish	Powder-coated, textured	Torque for lid screws	2.5 Nm

**horizontal assembly**

WDU 10 / ZDU 10	1x8	WDU 16 / ZDU 16	1x6
WDU 2,5 / ZDU 2,5 / IDU 2,5	1x16	WDU 4 / ZDU 4	1x13
WDU 6 / ZDU 6	1x10		

**vertical assembly**

WDU 2,5 / ZDU 2,5 / IDU 2,5	*	WDU 4 / ZDU 4	*
-----------------------------	---	---------------	---

**Classifications**

ETIM 6.0	EC000261	ETIM 7.0	EC000261
ETIM 8.0	EC000261	ECLASS 9.0	27-18-01-01
ECLASS 9.1	27-18-92-90	ECLASS 10.0	27-18-01-01
ECLASS 11.0	27-18-01-01	ECLASS 12.0	27-18-01-01

**Approvals**

Approvals



ROHS	Conform
UL File Number Search	UL Website
Certificate no. (cULus)	E197061

## KLIPPON K52 RAL7001

**Weidmüller Interface GmbH & Co. KG**  
Klingenbergstraße 26  
D-32758 Detmold  
Germany

[www.weidmueller.com](http://www.weidmueller.com)

## Technical data

### Downloads

Approval/Certificate/Document of Conformity	<a href="#">C-DE.A154.B.00251.19 Ind. Terminal Box</a> <a href="#">RUC-DE.BE02.B.00173</a> <a href="#">TAE00002SM</a> <a href="#">19.00108.272</a> <a href="#">EU Declaration of Conformity - Klippon K Empty Enclosures - DoC DE PS2410 160412 001ISS02</a> <a href="#">DoM Klippon K salt water resistance</a> <a href="#">DoM Klippon K EN 45545-2 2013 Railway</a>
Engineering Data	<a href="#">CAD data – STEP</a>
Engineering Data	<a href="#">EPLAN, WSCAD</a>
Tender specification	<a href="#">Klippon K52 RAL7001_9529230000_DE</a> <a href="#">Klippon K52 RAL7001_9529230000_EN</a>
User Documentation	<a href="#">Assembly guidelines - empty enclosures</a>
Catalogues	<a href="#">Catalogues in PDF-format</a>
Brochures	<a href="#">MB KLIPPON ENCL.TECN EN</a> <a href="#">FL RAILWAY 2014 EN</a> <a href="#">FL RAILWAY 2014 EN</a>

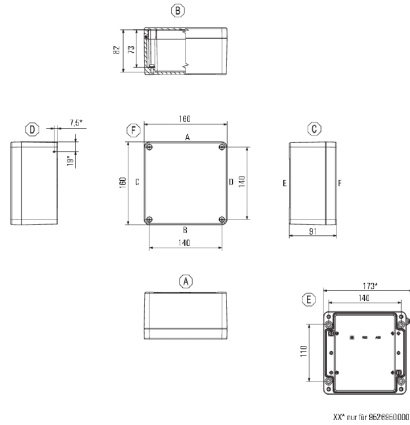
**KLIPPON K52 RAL7001**

**Weidmüller Interface GmbH & Co. KG**  
Klingenbergstraße 26  
D-32758 Detmold  
Germany

**Drawings**

[www.weidmueller.com](http://www.weidmueller.com)

**Dimensioned drawing**



# Mouser Electronics

Authorized Distributor

Click to View Pricing, Inventory, Delivery & Lifecycle Information:

[Weidmuller:](#)

[9529230000](#)