

## KLIPPON K02 RAL7001

**Weidmüller Interface GmbH & Co. KG**

Klingenbergstraße 26

D-32758 Detmold

Germany

[www.weidmueller.com](http://www.weidmueller.com)

### Similar to illustration



The aluminium Klippon® K enclosures are suitable for use in an extremely wide range of different areas. Various components can be installed inside the enclosures, and will benefit in particular from the high temperature resistance, the excellent IP protection and the good impact resistance.

No matter what kind of application the customer is planning, Weidmüller is able to provide a wide range of aluminium enclosures precisely fitting the customer's requirements.

Our extensive product range offers the following advantages:

- Available in two surface finishes: natural and powder-coated (RAL 7001)
- With chloroprene moulded seal as standard (silicone moulded seal optionally available)
- Standardised closure system with Torx slotted screw head for 19 enclosure sizes
- Mounting holes outside of the gasket area
- High IP protection classes: IP66, IP67 and IP68 according to DIN EN 60529
- Impact resistance of up to 7 (10) Joules
- The enclosures are approved according EAC, cULus, Russian Maritime Register and DNV GL as well as the empty enclosure standard.
- Suitable for railway applications according to EN 45545-2:2013
- Alloy is resistant to salt water

- Standardised distributor enclosures with threaded holes and a variety of terminal configurations

### General ordering data

Version	Klippon K (aluminium empty enclosure), Empty enclosure, Aluminium enclosure, Height: 64 mm, Width: 98 mm, Depth: 34 mm, Material: Aluminium AlSi12, Powder-coated, textured, Silver grey
Order No.	<a href="#">9529110000</a>
Type	KLIPPON K02 RAL7001
GTIN (EAN)	4008190918996
Qty.	6 pc(s).

Creation date September 18, 2022 5:36:36 AM CEST

## KLIPPON K02 RAL7001

Weidmüller Interface GmbH &amp; Co. KG

Klingenbergstraße 26

D-32758 Detmold

Germany

www.weidmueller.com

## Technical data

## Dimensions and weights

Depth	34 mm	Depth (inches)	1.339 inch
Height	64 mm	Height (inches)	2.52 inch
Width	98 mm	Width (inches)	3.858 inch
Mounting dimension - height	36 mm	Mounting dimension - width	86 mm
Net weight	206.333 g		

## Temperatures

Operating temperature	-40 °C...80 °C
-----------------------	----------------

## Environmental Product Compliance

REACH SVHC	Lead 7439-92-1	SCIP	9e4cab4e-239c-4e14-b9df-a0fee300d28a
------------	----------------	------	--------------------------------------

## Cable glands, left

M12	1	M16	1
-----	---	-----	---

## Cable glands, right

M12	1	M16	1
-----	---	-----	---

## Cable glands, top/bottom

M12	3	M16	3
M20	2		

## Certificate numbers enclosure

Approval conditions	cULus, RMRS, DNV	Certificate No. (DNVGL)	TAE00002SM
Certificate No. (EAC)	C-DE.HB07.B.00089-20	Certificate No. (GERMLLOYD)	TAE00002SM
Certificate No. (MARITREG)	19.00108.272	Certificate no. (cULus)	E197061
Certificate no. Terminal Box (EAC)	C-DE.AJ54.B.00251/19 Ind. Terminal Box	Certificate no., empty enclosure (EAC)	C-DE.HB07.B.00089/20

Declaration of Conformity No. (DoC LVD)	DE_PS2410_160412_001ISS01
---	---------------------------

## General information

Access opening: height	57.8 mm	Access opening: width	91.8 mm
Areas of use	Process industry, Transportation, Marine engineering, Packaging industry, Harbour facilities, Machine construction	Enclosure attachment	Holes 4 mm
Flange plate	No	Impact resistance	10 J version standard
Integral fixing	Threaded holes M3	Lid	Yes
Lid attachment	M4 torx stainless steel screws with slot	Material	Aluminium AlSi12
Material thickness of cover	2.5 mm	Material thickness of enclosure	3.1 mm
Note: protection class	IP68 (t=72h, h=1m)	Number of lid screws	4
Operating temperature, max.	80 °C	Operating temperature, min.	-40 °C
Protection class (UL)	Type 4, Type 4x	Protection degree	IP66, IP67, IP68
Seal material	Chloroprene	Standards	EN 45545-2:2013
Surface finish	Powder-coated, textured	Torque for lid screws	2.5 Nm

Creation date September 18, 2022 5:36:36 AM CEST

Catalogue status 09.09.2022 / We reserve the right to make technical changes.

2

**KLIPPON K02 RAL7001****Weidmüller Interface GmbH & Co. KG**

Klingenbergstraße 26

D-32758 Detmold

Germany

www.weidmueller.com

**Technical data****horizontal assembly**

WDU 2,5 / ZDU 2,5 / IDU 2,5	1x1*	WDU 4 / ZDU 4	1x1*
-----------------------------	------	---------------	------

**vertical assembly**

WDU 2,5 / ZDU 2,5 / IDU 2,5	1x1*	WDU 4 / ZDU 4	1x1*
-----------------------------	------	---------------	------

**Classifications**

ETIM 6.0	EC000261	ETIM 7.0	EC000261
ETIM 8.0	EC000261	ECLASS 9.0	27-18-01-01
ECLASS 9.1	27-18-92-90	ECLASS 10.0	27-18-01-01
ECLASS 11.0	27-18-01-01	ECLASS 12.0	27-18-01-01

**Approvals**

Approvals



ROHS	Conform
UL File Number Search	UL Website
Certificate no. (cULus)	E197061

**Downloads**

Approval/Certificate/Document of Conformity	<a href="#">C-DE.AJ54.B.00251.19 Ind. Terminal Box</a> <a href="#">RUC-DE.BE02.B.00173</a> <a href="#">TAE00002SM</a> <a href="#">19.00108.272</a> <a href="#">EU Declaration of Conformity - Klippon K Empty Enclosures - DoC DE PS2410 160412 001ISS02</a> <a href="#">DoM Klippon K salt water resistance</a> <a href="#">DoM Klippon K EN 45545-2 2013 Railway</a>
Engineering Data	<a href="#">CAD data – STEP</a>
Engineering Data	<a href="#">EPLAN, WSCAD</a>
Tender specification	<a href="#">Klippon K02 RAL7001_9529110000_DE</a> <a href="#">Klippon K02 RAL7001_9529110000_EN</a>
User Documentation	<a href="#">Assembly guidelines - empty enclosures</a>
Catalogues	<a href="#">Catalogues in PDF-format</a>
Brochures	<a href="#">MB KLIPPON ENCL.TECN.EN</a> <a href="#">FL RAILWAY 2014 EN</a> <a href="#">FL RAILWAY 2014 EN</a>

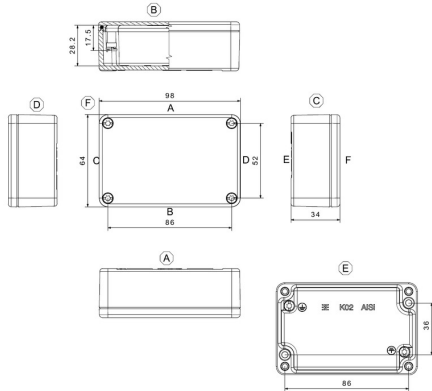
**KLIPPON K02 RAL7001**

**Weidmüller Interface GmbH & Co. KG**  
Klingenbergstraße 26  
D-32758 Detmold  
Germany

**Drawings**

[www.weidmueller.com](http://www.weidmueller.com)

**Dimensioned drawing**



# Mouser Electronics

Authorized Distributor

Click to View Pricing, Inventory, Delivery & Lifecycle Information:

[Weidmuller:](#)

[9529110000](#)