

RRD328230**Weidmüller Interface GmbH & Co. KG**

Klingenbergstraße 26

D-32758 Detmold

Germany

www.weidmueller.com

Product image

Similar to illustration

General ordering data

Version	RIDERSERIES RRD, Relay, Number of contacts: 3, CO contact with test button AgNi, Rated control voltage: 230 V AC, Continuous current: 10 A, Plug-in connection, Test button available: Yes
Order No.	8690580000
Type	RRD328230
GTIN (EAN)	4032248361151
Qty.	25 pc(s).
Delivery status	This article will no longer be available in the future.
Available until	2022-03-10
Alternative product	2765360000

Creation date September 18, 2022 3:49:01 AM CEST

RRD328230

Weidmüller Interface GmbH & Co. KG

Klingenbergstraße 26

D-32758 Detmold

Germany

www.weidmueller.com

Technical data

Dimensions and weights

Depth	57 mm	Depth (inches)	2.244 inch
Height	35.5 mm	Height (inches)	1.398 inch
Width	35.5 mm	Width (inches)	1.398 inch
Net weight	85.84 g		

Temperatures

Storage temperature	-40 °C...60 °C	Operating temperature	-40 °C...50 °C
Humidity	40 °C / 93 % rel. humidity, no condensation		

Rated data UL

Certificate No. (cURus)	E224238
-------------------------	---------

Control side

Rated control voltage	230 V AC	Rated current AC	10.1 mA
Power rating	2.3 VA	Pull-in/drop-out voltage, typ.	184 V / 92 V AC
Coil resistance	8300 Ω ± 12 %	Coil tolerance	12 %
Status indicator	red LED		

Load side

Rated switching voltage	240 V AC	Continuous current	10 A
Max. switching frequency at rated load	0.1 Hz	Inrush current	20 A / 20 ms
AC switching capacity (resistive), max.	2500 VA	DC switching capacity (resistive), max.	240 W @ 24 V
Switch-on delay	≤ 15 ms	Switch-off delay	≤ 10 ms
Contact type	3 CO contact with test button (AgNi)	Mechanical service life	20 x 10 ⁶ switching cycles
Min. switching power	1 mA @ 24 V, 10 mA @ 12 V, 100 mA @ 5 V		

General data

Test button available	Yes	Version of test button	lockable
Mechanical switch position indicator	Yes	Colour	Transparent
UL 94 flammability rating	V-2		

Insulation coordination

Rated voltage	250 V	Pollution severity	2
Surge voltage category	III	Insulating material group	IIIa
Creepage and clearance distance input – output	≤ 3 mm	Dielectric strength, Input/Output	2.5 kV _{eff} / 1 Min.
Dielectric strength of neighbouring contacts	2.5 kV _{eff} / 1 Min.	Dielectric strength of open contact	1.5 kV _{eff} / 1 min.
Impulse withstand voltage	2.5 kV (1.2/50 μs)	Protection degree	IP20

Further details of approvals / standards

Standards	IEC 61810-1, UL508	Certificate No. (CSA)	249409-2426937
Certificate No. (VDE)	40011757	Certificate No. (cURus)	E224238

RRD328230

Weidmüller Interface GmbH & Co. KG

Klingenbergstraße 26

D-32758 Detmold

Germany

www.weidmueller.com

Technical data

Connection data

Wire connection method Plug-in connection

Classifications

ETIM 6.0	EC001437	ETIM 7.0	EC001437
ETIM 8.0	EC001437	ECLASS 9.0	27-37-16-01
ECLASS 9.1	27-37-16-01	ECLASS 10.0	27-37-16-01
ECLASS 11.0	27-37-16-01	ECLASS 12.0	27-37-16-01

Approvals

Approvals



ROHS Conform

UL File Number Search UL Website

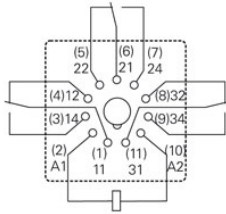
Certificate No. (cURus) E224238

Downloads

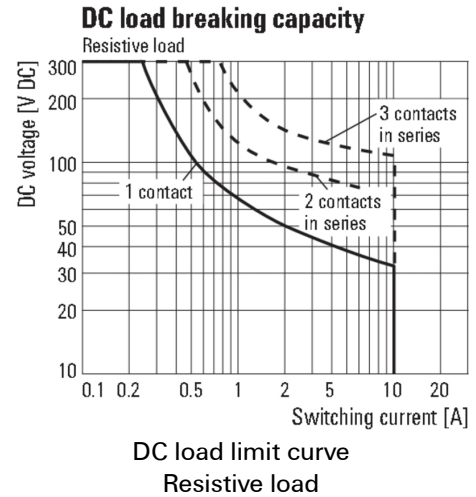
Approval/Certificate/Document of Conformity	EU Konformitätserklärung / EU Declaration of Conformity
Engineering Data	EPLAN, WSCAD
Catalogues	Catalogues in PDF-format

Wiring diagram

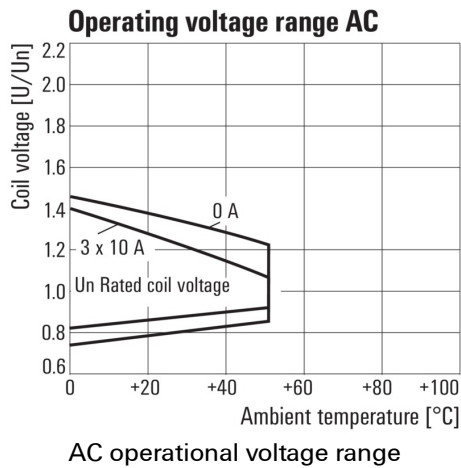
Circuit diagram
View of connections



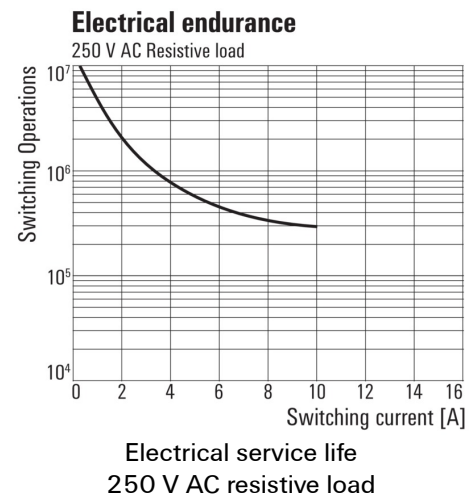
Graph



Graph



Graph



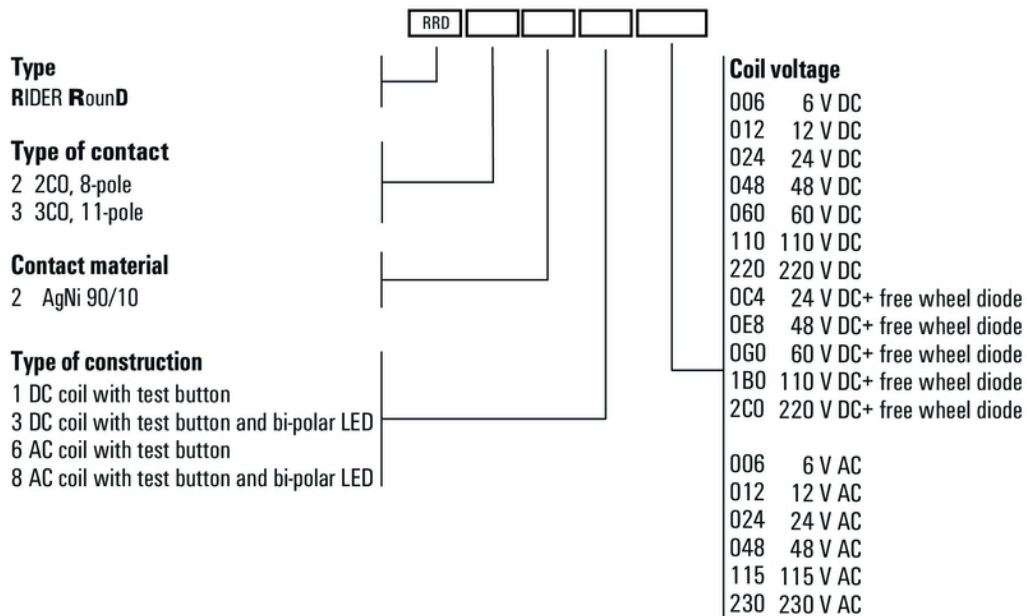
RRD328230

Weidmüller Interface GmbH & Co. KG
 Klingenbergstraße 26
 D-32758 Detmold
 Germany

Drawings

www.weidmueller.com

Miscellaneous



Type codes

Mouser Electronics

Authorized Distributor

Click to View Pricing, Inventory, Delivery & Lifecycle Information:

[Weidmuller:](#)

[8690580000](#)