

## PVN1M6I4SXFV101TXPX10

**Weidmüller Interface GmbH & Co. KG**

Klingenbergstraße 26

D-32758 Detmold

Germany

[www.weidmueller.com](http://www.weidmueller.com)



PV Next: PV-Next, PV generator junction box for combination of 1-6 strings (input and output side) and connection to the inverter. Intelligent innovative design individual for every customer application. Advanced overvoltage protection, optional fuses and switch-disconnectors for optimum operation and safety for the system. In addition, all PV generator junction boxes comply with IEC/EN 61439-2 for maximum reliability of each component.

### General ordering data

Version	Photovoltaics, Combiner Box, 1000 V, 6 MPPT's, 2 Inputs / 1 Output per MPPT, Surge protection I / II, WM4C
Order No.	<a href="#">2737620000</a>
Type	PVN1M6I4SXFV101TXPX10
GTIN (EAN)	4050118824896
Qty.	1 pc(s).

Creation date September 18, 2022 1:55:15 AM CEST

Catalogue status 09.09.2022 / We reserve the right to make technical changes.

**PVN1M6I4SXFV101TXPX10**

**Weidmüller Interface GmbH & Co. KG**  
 Klingenbergstraße 26  
 D-32758 Detmold  
 Germany

www.weidmueller.com

**Technical data**
**Dimensions and weights**

Depth	175 mm	Depth (inches)	6.89 inch
Height	334 mm	Height (inches)	13.15 inch
Width	558 mm	Width (inches)	21.968 inch
Net weight	6,947 g		

**Temperatures**

Ambient temperature	-25 °C...+50 °C	Humidity	5 - 90 %, no condensation
---------------------	-----------------	----------	---------------------------

**Environmental Product Compliance**

REACH SVHC	Lead 7439-92-1	SCIP	bdab5698-6a20-4370-8e28-8810d8
------------	----------------	------	--------------------------------

**Guarantee**

Time interval	5 years
---------------	---------

**Electrical characteristics**

Current per MPPT, max.	30 A			
Rated DC current per connection	Current per string, max.	30 A		
	Ambient temperature	-25 °C...+50 °C		
	Short-circuit at main output	Factor	1.25 * I <sub>nc</sub>	
		Duration	10 h	
Rated DC voltage	1,000 V DC			

**Enclosure**

Connection type String	Plug WM4C	Enclosure attachment	Via the four holes under the cover screws
Insulating material	Polyester glass-fibre reinforced, Polycarbonate	Switch disconnecter execution	no switch
Type of mounting	Wall mounting, 4 screws		

**General data**

Installation location	Protected outdoor area (>1 km from sea)	Protection degree	IP65
Standards	IEC 61439-2 ed 2.0, EN 61439-2:2011		

**Inputs**

Amount of Maximum Power Point Tracking	6 MPPT		
DC Input + & -	Wire connection	Type of connection	WM4C plug-in connector
		Compatible cable crossection	EN 50618:2015, TÜV 2 Pfg1169/08.07
		Wire cross-section, min.	4 mm <sup>2</sup>
		Wire cross-section, max.	6 mm <sup>2</sup>
	Cable entry	Number of cable entries	12

Creation date September 18, 2022 1:55:15 AM CEST

Catalogue status 09.09.2022 / We reserve the right to make technical changes.

**PVN1M6I4SXFV101TXPX10**
**Weidmüller Interface GmbH & Co. KG**

 Klingenbergstraße 26  
 D-32758 Detmold  
 Germany

[www.weidmueller.com](http://www.weidmueller.com)
**Technical data**

Functional earth connector	Cable entry	Number of cable entries	1
		Cable diameter, min.	5
		Cable diameter, max.	10
		Cable glands	M 16
	Wire connection	Type of connection	Screw connection
		Flexible, max. H05(07) V-K	25 mm <sup>2</sup>
	w. wire end ferrule, DIN 46228 pt 1, max.	16 mm <sup>2</sup>	
Fuse type	Neither fuse cartridge nor holder		
Max. number of DC inputs	per Maximum Power Point Tracking 2 inputs connected in parallel		
Surge protection auxiliary contact	Cable entry	Cable diameter, min.	5
		Cable diameter, max.	10
		Cable glands	M 16
	Wire connection	Type of connection	Tension clamp connection with actuator
		Flexible, max. H05(07) V-K	1.5 mm <sup>2</sup>
		w. wire end ferrule, DIN 46228 pt 1, max.	1.5 mm <sup>2</sup>

**Outputs**

DC Output + & -	Wire connection	Type of connection	WM4C plug-in connector
		Compatible cable cross-section	TÜV 2 Pfg 1169/08.07, EN 50618:2015
		Wire cross-section, min.	4 mm <sup>2</sup>
		Wire cross-section, max.	6 mm <sup>2</sup>
Max. number of DC outputs	per Maximum Power Point Tracking 1 output		

**Surge protection DC side**

Discharge current $I_n$ (8/20 $\mu$ s)	20 kA	Discharge current, max. (8/20 $\mu$ s)	40 kA
Lightning test current $I_{imp}$ (10/350 $\mu$ s)	6.25 kA	Maximum continuous operating voltage UCPV mode +/- -/PE, +/-PE	1,100 V DC
PV system voltage, max. $U_{cpv}$	1,100 V	Protection level $U_p$ (+/-, -/PE, +/-PE)	$\leq 3.8$ kV
Protection level $U_p$ (+/-)	$\leq 3.8$ kV	Protection level $U_p$ (+/PE)	$\leq 3.8$ kV
Protection level $U_p$ (-/PE)	$\leq 3.8$ kV	Requirements class	Type I/II
Short-circuit current $I_{SCPV}$	11,000 A	Standards	IEC 61439-2 ed 2.0, EN 61439-2:2011
Standby power consumption $P_C$	$< 0.2$ W	Surge protection DC side	1000 V type I + II with remote contact, 1000 V type I + II
Total discharge current $I_{total}$ (8/20 $\mu$ s)	50 kA	Total discharge current $I_{total}$ (10/350 $\mu$ s)	12.5 kA

**Classifications**

ETIM 6.0	EC002928	ETIM 7.0	EC002928
ETIM 8.0	EC003857	ECLASS 9.0	22-57-92-03
ECLASS 9.1	22-57-02-90	ECLASS 10.0	22-57-02-90
ECLASS 11.0	22-57-02-92	ECLASS 12.0	22-57-02-92

## PVN1M6I4SXFV101TXPX10

Weidmüller Interface GmbH &amp; Co. KG

Klingenbergstraße 26

D-32758 Detmold

Germany

www.weidmueller.com

## Technical data

## Tender specification sheets

Long specification	<p>Combiner box for inverters with 6Mpp tracker, used to protect the DC side. Max. String voltage Uoc: 1000 V MPPT1: Up to 2 inputs, connected via WM4 C connector compatible with cable type TÜV 2 Pfg1169/08.07 / EN 50618:2015 1 output connected via WM4 C connector compatible with cable type TÜV 2 Pfg1169/08.07 / EN 50618:2015 MPPT 2 to 6 are identical to MPPT 1 without DC switch 6 surge protection 1000 V type I + II with remote contact Connection of the signal contact via cable glands (8-12mmØ) max. cable cross-section: 1.5mm<sup>2</sup> Connection of functional earth via cable glands (8-12mmØ) cable cross-section: 16mm<sup>2</sup> Protection class: IP65 Plastic enclosure Dimensions HxWxD:558x334x210 mm According to standard, Low-voltage switchgear assemblies - Part 1: General specifications, (IEC 61439-1:2011), BS EN 61439-2:2011</p>
--------------------	--

## Approvals

Approvals



## Downloads

Approval/Certificate/Document of Conformity	<a href="#">EU Declaration of Conformity</a>
Engineering Data	<a href="#">CAD data – PV Next Schematic Diagram 2in1</a> <a href="#">CAD data – STEP</a> <a href="#">Application notes – Fact Sheet DE PV CB Wie man Gebäude gegen Blitzeinschläge schützt</a> <a href="#">Application notes – Fact Sheet DE PV Wie man die Lebensdauer eines GAK verlängert</a> <a href="#">Application notes – Fact Sheet DE PV CB Wann Sicherungen zu installieren sind</a> <a href="#">Application notes – Fact Sheet DE CB PV NEXT</a> <a href="#">Application notes – Fact Sheet EN PV CB When DC fuses are mandatory to install</a> <a href="#">Application notes – Fact Sheet EN CB PV NEXT</a> <a href="#">Application notes – Fact Sheet EN PV How to protect buildings against lightning strikes</a> <a href="#">Application notes – Fact Sheet EN PV How to extend the life time of a Combiner Box</a>
Technical Documentation	<a href="#">Customer Drawing</a>
User Documentation	<a href="#">Manual PV Next String Combiner Box</a> <a href="#">MANUAL PV NEXT IT/ES/FR</a>
Catalogues	<a href="#">Catalogues in PDF-format</a>

Creation date September 18, 2022 1:55:15 AM CEST

Catalogue status 09.09.2022 / We reserve the right to make technical changes.

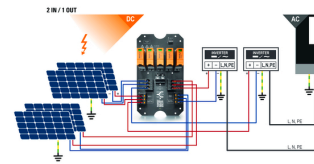
**PVN1M6I4SXFV101TXPX10**

**Weidmüller Interface GmbH & Co. KG**  
 Klingenbergstraße 26  
 D-32758 Detmold  
 Germany

Drawings

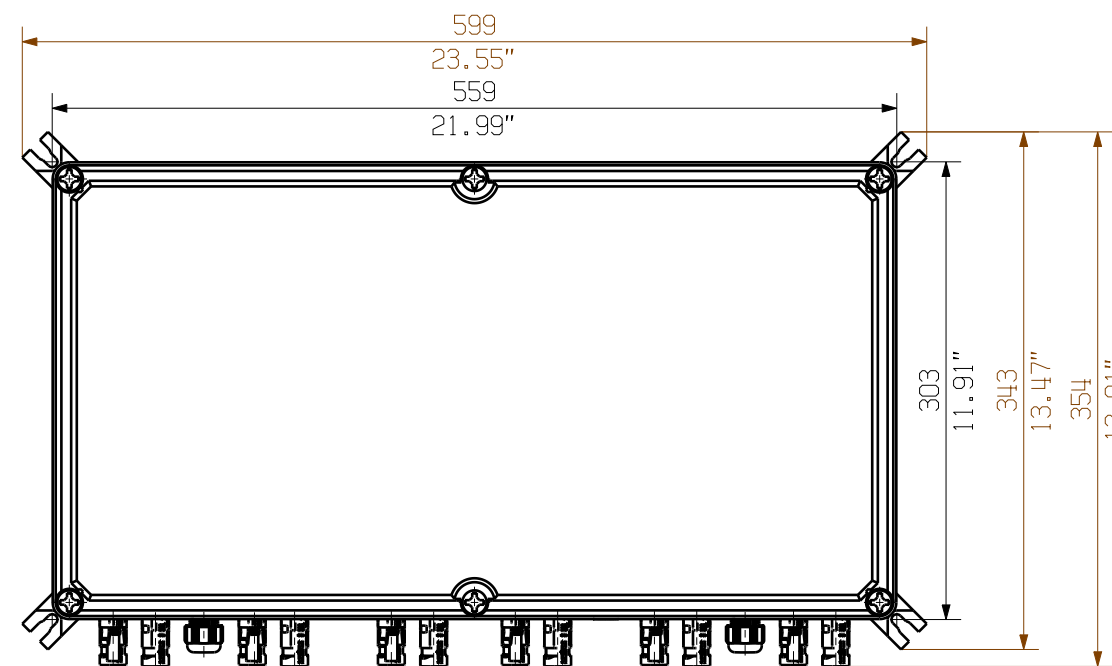
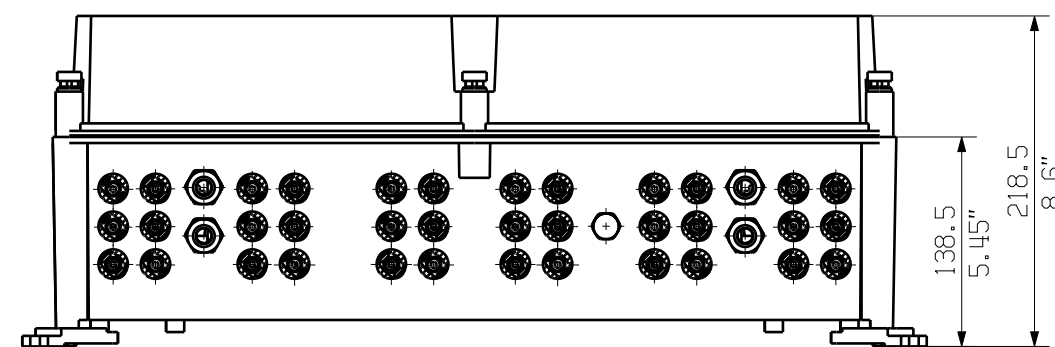
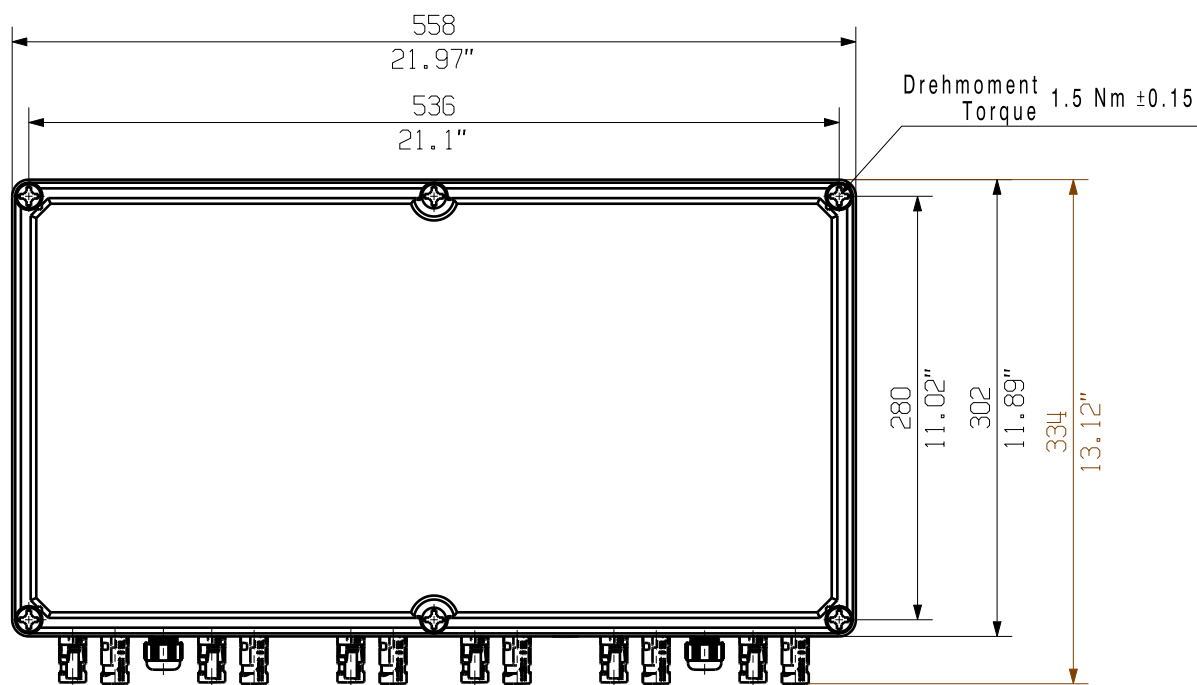
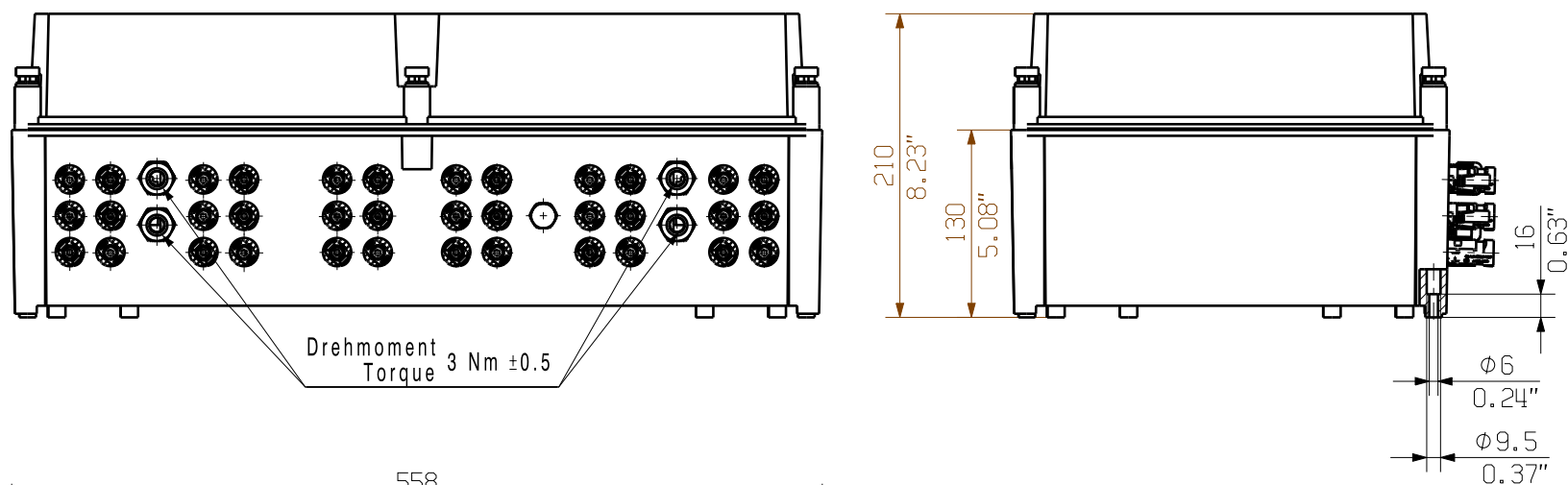
www.weidmueller.com

PCB design



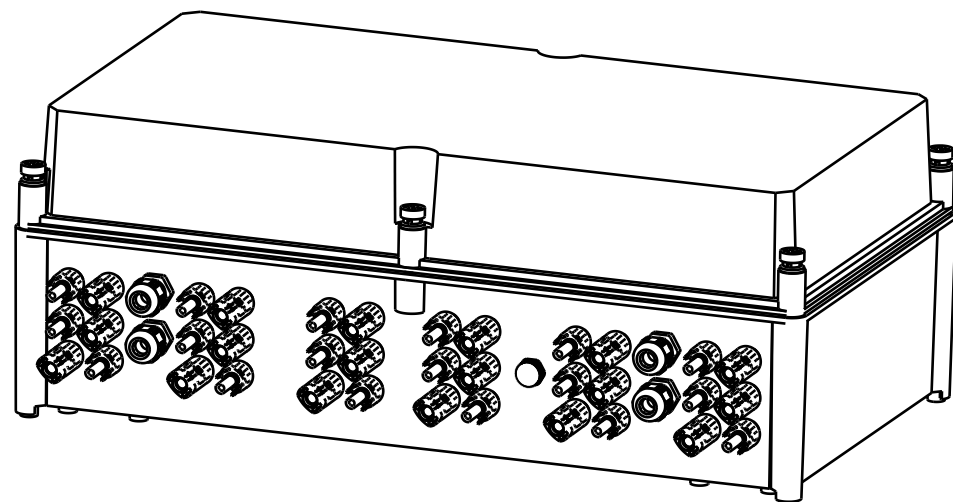
**PVN 1 M2 I6 S0 F3 V1 Q1 TX PX 10**



<b>Series</b> PVN = PV Next VPU = PV Protect	<b>Voltage</b> 10 = 1kV 11 = 1.1kV 15 = 1.5kV
<b>Level</b> 1 = DC trunk box (L1)	<b>Power supply</b> x = n/a
<b>Series</b> 1 = 1 MPPT supported 2 = 2 MPPT supported 3 = 3 MPPT supported 4 = 4 MPPT supported 6 = 6 MPPT supported	<b>Monitoring</b> x = n/a
<b>Inputs</b> 1..12 inputs	<b>Output Type</b> 0 = EG 1 = VIMAC 2 = MCA-Exp 2
<b>Switch</b> x = n/a 0 = manual switch 1 = remote switch	<b>SPD</b> 0 = TYP II 1 = TYP I+II X = No SPD
	<b>Fuses</b> x = n/a 3 = only fuse holders



Darstellung mit Zubehoer  
Shown with accessory 036080000 MF TBF

Nicht im Lieferumfang enthalten!  
Not included in delivery!



EC00004112	Prim PLM Part No.: 1230343	Prim ERP Part No.: 2737620000
First Issue Date 27.03.2020	Max. nos. Modification	<b>Weidmüller</b> 
	Date 22.10.2020	Name Brüntrup, Anna
Scale: 1/5	Size: A3	Responsible Wohlgemuth, Kl
Drawing Customer	Approved 22.10.2020	Name Püschner, Klau
		72139 <span style="border: 1px solid black; border-radius: 50%; padding: 2px;">1</span>
		Drawing no. <span style="border: 1px solid black; border-radius: 50%; padding: 2px;">1</span>
		Sheet 03 of 03 sheets
<b>2737620000 PVN1M6I12SXFV101TPX10</b> COMBINERBOX RESIDENTIAL/COMMERCIAL COMBINERBOX RESIDENTIAL/COMMERCIAL		
Product file:		

# Mouser Electronics

Authorized Distributor

Click to View Pricing, Inventory, Delivery & Lifecycle Information:

[Weidmuller:](#)

[2737620000](#)