

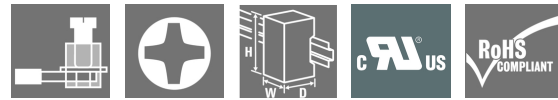
CMA-41-1000-5A-5VA-1**Weidmüller Interface GmbH & Co. KG**

Klingenbergstraße 26

D-32758 Detmold

Germany

www.weidmueller.com

**Plug-on current transformers**

Plug-on current transformers are especially suitable for mounting on the busbar.

The advantages of this type are: screwless connection technology with tension clamp connection, time-saving connection option for solid and flexible conductors, shock-resistant and vibration-proof, high mechanical holding forces and high current resistance.

General ordering data

| | |
|------------|--|
| Version | Primary current: 1000 A, Secondary current max.: 5 A, Load: 5 VA, Tolerance class: 1, closed current transformer |
| Order No. | 2680150000 |
| Type | CMA-41-1000-5A-5VA-1 |
| GTIN (EAN) | 4050118696493 |
| Qty. | 1 pc(s). |

Creation date September 18, 2022 1:16:11 AM CEST

Catalogue status 09.09.2022 / We reserve the right to make technical changes.

CMA-41-1000-5A-5VA-1**Weidmüller Interface GmbH & Co. KG**

Klingenbergstraße 26

D-32758 Detmold

Germany

www.weidmueller.com

Technical data**Dimensions and weights**

| | |
|------------|-------|
| Net weight | 322 g |
|------------|-------|

Dimensions of live conductors

| | | | |
|-------------------|--------------------------|-----------------------|------------|
| Type of conductor | Insulated conductor only | Round conductor | 31 mm |
| Rail | 30 x 15 mm, 40 x 10 mm | Installation location | Indoor use |

Electrical attributes

| | | | |
|------------------------|------|-----------------|---------|
| Load | 5 VA | Primary current | 1,000 A |
| Secondary current max. | 5 A | Tolerance class | 1 |

Technical data

| | |
|---------|----------------------------|
| Version | closed current transformer |
|---------|----------------------------|

Insulation coordination

| | | | |
|----------|--------------------------------------|-----------------|---|
| Standard | IEC 61869-1: 2007, IEC 61869-2: 2012 | Tolerance class | 1 |
|----------|--------------------------------------|-----------------|---|

Classifications

| | | | |
|-------------|-------------|-------------|-------------|
| ETIM 6.0 | EC002048 | ETIM 7.0 | EC002048 |
| ETIM 8.0 | EC002048 | ECLASS 9.0 | 27-21-09-02 |
| ECLASS 9.1 | 27-21-09-02 | ECLASS 10.0 | 27-21-09-02 |
| ECLASS 11.0 | 27-21-09-02 | ECLASS 12.0 | 27-21-09-02 |

Approvals

| | |
|------|---------|
| ROHS | Conform |
|------|---------|

Downloads

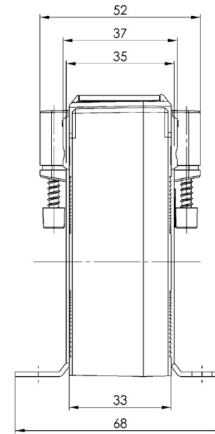
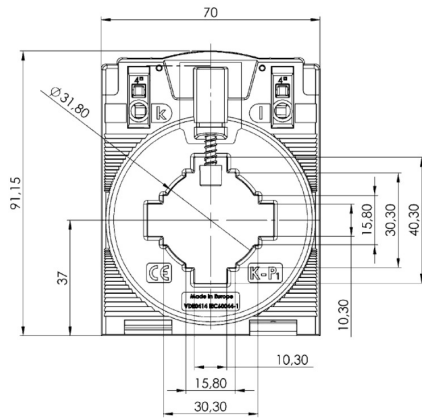
| | |
|---|--|
| Approval/Certificate/Document of Conformity | UL- certificate |
| Engineering Data | CAD data – STEP |
| Technical Documentation | 3D drawing |
| User Documentation | instruction sheet english.pdf Betriebsanleitung deutsch |
| Catalogues | Catalogues in PDF-format |

CMA-41-1000-5A-5VA-1

Weidmüller Interface GmbH & Co. KG
Klingenbergstraße 26
D-32758 Detmold
Germany

www.weidmueller.com

Drawings



Mouser Electronics

Authorized Distributor

Click to View Pricing, Inventory, Delivery & Lifecycle Information:

[Weidmuller:](#)

[2680150000](#)