

KLIPPON K7

Weidmüller Interface GmbH & Co. KG

Klingenbergstraße 26

D-32758 Detmold

Germany

www.weidmueller.com

Similar to illustration



The aluminium Klippon® K enclosures are suitable for use in an extremely wide range of different areas. Various components can be installed inside the enclosures, and will benefit in particular from the high temperature resistance, the excellent IP protection and the good impact resistance.

No matter what kind of application the customer is planning, Weidmüller is able to provide a wide range of aluminium enclosures precisely fitting the customer's requirements.

Klippon® K enclosures for hazardous areas are available on request.

Our extensive product range offers the following advantages:

- Available in two surface finishes: natural and powder-coated (RAL 7001)
- With chloroprene moulded seal as standard (silicone moulded seal optionally available)
- Standardised closure system with Torx slotted screw head for 19 enclosure sizes
- Mounting holes outside of the gasket area
- High IP protection classes: IP66, IP67 and IP68 according to DIN EN 60529
- Impact resistance of up to 7 (10) Joules
- The enclosures are approved according ATEX, IECEx, EAC, cULus, Russian Maritime Register and DNV GL as well as the empty enclosure standard.

- Suitable for railway applications according to EN 45545-2:2013
- Alloy is resistant to salt water
- Standardised distributor enclosures with threaded holes and a variety of terminal configurations

General ordering data

Version	Klippon K (aluminium empty enclosure), Empty enclosure, Aluminium enclosure, Height: 160 mm, Width: 350 mm, Depth: 100 mm, Material: Aluminium AlSi12, untreated, silver
Order No.	0342600000
Type	KLIPPON K7
GTIN (EAN)	4008190471392
Qty.	1 pc(s).

KLIPPON K7

Weidmüller Interface GmbH & Co. KG

Klingenbergstraße 26

D-32758 Detmold

Germany

www.weidmueller.com

Technical data

Dimensions and weights

Depth	100 mm	Depth (inches)	3.937 inch
Height	160 mm	Height (inches)	6.299 inch
Width	350 mm	Width (inches)	13.78 inch
Mounting dimension - height	140 mm	Mounting dimension - width	330 mm
Net weight	2,630 g		

Temperatures

Operating temperature	-40 °C...80 °C
-----------------------	----------------

Environmental Product Compliance

REACH SVHC	Lead 7439-92-1
------------	----------------

Cable glands, left

M12	8	M16	6
M20	3	M25	2
M32	2	M40	1

Cable glands, right

M12	8	M16	6
M20	3	M25	2
M32	2	M40	1

Cable glands, top/bottom

M12	42	M16	26
M20	17	M25	10
M32	6	M40	5

Certificate numbers enclosure

Approval conditions	cULus, RMRS, DNV	Certificate No. (DNVGL)	TAE00002SM
Certificate No. (EAC)	C-DE.HB07.B.00089-20	Certificate No. (GERMLLOYD)	TAE00002SM
Certificate No. (MARITREG)	19.00108.272	Certificate no. (cULus)	E197061
Certificate no. Terminal Box (EAC)	C-DE.AД54.B.00251/19 Ind. Terminal Box	Certificate no., empty enclosure (EAC)	C-DE.HB07.B.00089/20
Declaration of Conformity No. (DoC LVD)	DE_PS2410_160412_001ISS01		

KLIPPON K7

Weidmüller Interface GmbH & Co. KG

Klingenbergstraße 26

D-32758 Detmold

Germany

www.weidmueller.com

Technical data

General information

Access opening: height	150.8 mm	Access opening: width	340.8 mm
Areas of use	Process industry, Transportation, Marine engineering, Packaging industry, Harbour facilities, Machine construction	Enclosure attachment	Holes 6 mm
Flange plate	No	Halogen	No (only contained in the seal)
Impact resistance	10.00 J	Integral fixing	Threaded holes M5
Lid	Yes	Lid attachment	M5 torx stainless steel screws with slot
Material	Aluminium AlSi12	Material thickness of cover	3 mm
Material thickness of enclosure	4.6 mm	Note: protection class	IP68 (t=72h, h=1m)
Number of lid screws	4	Operating temperature, max.	80 °C
Operating temperature, min.	-40 °C	Protection class (UL)	Type 4, Type 4x
Protection degree	IP66, IP67, IP68	Seal material	Chloroprene
Standards	EN 45545-2:2013	Surface finish	untreated
Torque for lid screws	2.5 Nm		

horizontal assembly

WDU 10 / ZDU 10	1x28	WDU 16 / ZDU 16	1x23
WDU 2,5 / ZDU 2,5 / IDU 2,5	1x55	WDU 35 / ZDU 35	1x17
WDU 4 / ZDU 4	1x46	WDU 6 / ZDU 6	1x34

vertical assembly

WDU 2,5 / ZDU 2,5 / IDU 2,5	*	WDU 4 / ZDU 4	*
-----------------------------	---	---------------	---

Classifications

ETIM 6.0	EC000261	ETIM 7.0	EC000261
ETIM 8.0	EC000261	ECLASS 9.0	27-18-01-01
ECLASS 9.1	27-18-92-90	ECLASS 10.0	27-18-01-01
ECLASS 11.0	27-18-01-01		

Approvals

Approvals



ROHS	Conform
UL File Number Search	E197061

KLIPPON K7

Weidmüller Interface GmbH & Co. KG
Klingenbergstraße 26
D-32758 Detmold
Germany

www.weidmueller.com

Technical data

Downloads

Approval/Certificate/Document of Conformity	C-DE.A154.B.00251.19 Ind. Terminal Box RUC-DE.BE02.B.00173 TAE00002SM 19.00108.272 EU Declaration of Conformity - Klippon K Empty Enclosures - DoC DE PS2410 160412 001ISS02 DoM Klippon K salt water resistance DoM Klippon K EN 45545-2 2013 Railway
Engineering Data	CAD data – STEP
Engineering Data	EPLAN, WSCAD
Tender specification	Klippon K7_0342600000_DE Klippon K7_0342600000_EN
User Documentation	Assembly guidelines - empty enclosures
Catalogues	Catalogues in PDF-format
Brochures	MB KLIPPON ENCL.TECN EN FL RAILWAY 2014 EN FL RAILWAY 2014 EN

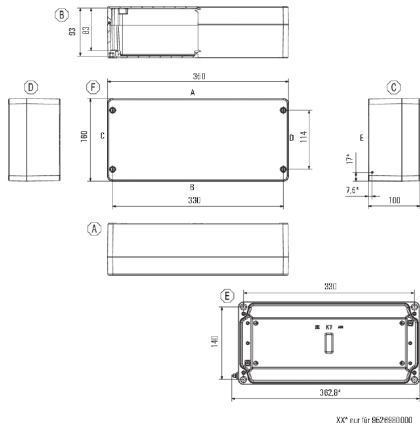
KLIPPON K7

Weidmüller Interface GmbH & Co. KG
 Klingenbergstraße 26
 D-32758 Detmold
 Germany

www.weidmueller.com

Drawings

Dimensioned drawing



KLIPPON K7

Weidmüller Interface GmbH & Co. KG
 Klingenbergstraße 26
 D-32758 Detmold
 Germany

www.weidmueller.com

Accessories

Klippon® K - Hinge



The system accessories for the Klippon® K enclosure series allows you to easily adapt the enclosures to meet the specific requirements of every application.

- DIN Rails TS 35 and TS 15
- Mounting plates
- Hinges
- Wall-mounted holder

General ordering data

Type	HG K+POK	Version
Order No.	1580360000	Klippon POK (polyester empty enclosure), External joint, Hinge,
GTIN (EAN)	4008190203542	Material: Aluminium AISi12, silver
Qty.	1 pc(s).	

Depth 7.5 mm



The system accessories for the Klippon® K enclosure series allows you to easily adapt the enclosures to meet the specific requirements of every application.

- DIN Rails TS 35 and TS 15
- Mounting plates
- Hinges
- Wall-mounted holder

General ordering data

Type	TS35X7.5 ST K7	Version
Order No.	8000003905	Rail, TS 35, TS 35 x 7.5, Width: 324 mm, without slot, Steel,
GTIN (EAN)	4050118652680	galvanized, chromium-plated
Qty.	20 pc(s).	
Type	TS35/324 KLIPPON K7 CSS	Version
Order No.	1910130000	Rail, TS 35, TS 35 x 7.5, Width: 324 mm, without slot, Steel,
GTIN (EAN)	4032248537044	galvanized, chromium-plated
Qty.	1 pc(s).	

KLIPPON K7

Weidmüller Interface GmbH & Co. KG
 Klingenbergstraße 26
 D-32758 Detmold
 Germany

www.weidmueller.com

Accessories

Depth 15 mm



The system accessories for the Klippon® K enclosure series allows you to easily adapt the enclosures to meet the specific requirements of every application.

- DIN Rails TS 35 and TS15
- Mounting plates
- Hinges
- Wall-mounted holder

General ordering data

Type	TS35X15 ST K7	Version
Order No.	8000073098	Rail, TS 35, TS 35 x 15, Width: 324 mm, Steel, galvanic zinc plated
GTIN (EAN)	4064675340522	and passivated
Qty.	20 pc(s).	

Spacer



Integrate, expand and customise: The ideal expansion for every application

The consistent structure of accessories for the Klippon® EBi enclosure range means that you can easily adapt the enclosure to the specific requirements of each application.

General ordering data

Type	SP M6 20 MSZN	Version
Order No.	3896200000	Klippon EBi (Essential Box industrial), Spacer, Height: 20 mm,
GTIN (EAN)	4008190850234	Material: Steel, silver
Qty.	2 pc(s).	
Type	SP M6 15 MSZN	Version
Order No.	3896100000	Klippon EBi (Essential Box industrial), Spacer, Height: 15 mm,
GTIN (EAN)	4008190857851	Material: Steel, silver
Qty.	1 pc(s).	
Type	SP M6 30 MSZN	Version
Order No.	3896300000	Klippon EBi (Essential Box industrial), Spacer, Height: 30 mm,
GTIN (EAN)	4008190850241	Material: Steel, silver
Qty.	2 pc(s).	

KLIPPON K7

Weidmüller Interface GmbH & Co. KG
 Klingenbergstraße 26
 D-32758 Detmold
 Germany

www.weidmueller.com

Accessories

Klippon® K - Wall-mounted holder



The system accessories for the Klippon® K enclosure series allows you to easily adapt the enclosures to meet the specific requirements of every application.

- DIN Rails TS 35 and TS15
- Mounting plates
- Hinges
- Wall-mounted holder

General ordering data

Type	KLIPPON K MF KIT 16	Version
Order No.	9529080000	Klippon K (aluminium empty enclosure), Mounting foot, Fixing lugs,
GTIN (EAN)	4008190916299	Material: Stainless steel 1.4301, silver
Qty.	1 pc(s).	

Screws



Depending on the terminal block or also accessories, we offer different types of screws as additional items or also spare parts.

General ordering data

Type	FKSC M5X8 D9/SW2.5	Version
Order No.	0295900000	SAK Series, Allen hex screw, Screws, Number of poles: 1
GTIN (EAN)	4008190133337	
Qty.	50 pc(s).	

KLIPPON K7

Weidmüller Interface GmbH & Co. KG
 Klingenbergstraße 26
 D-32758 Detmold
 Germany

www.weidmueller.com

Accessories

Klippon® K - Mounting plates



The system accessories for the Klippon® K enclosure series allows you to easily adapt the enclosures to meet the specific requirements of every application.

- DIN Rails TS 35 and TS15
- Mounting plates
- Hinges
- Wall-mounted holder

General ordering data

Type	MOPL K7 STAHL	Version
Order No.	3073130000	Klippon K (aluminium empty enclosure), Mounting plate, Mounting
GTIN (EAN)	4008190858063	plate, Height: 144 mm, Width: 334 mm, Depth: 2 mm, Material: Sheet
Qty.	1 pc(s).	steel, galvanized, galvanized, silver

Mouser Electronics

Authorized Distributor

Click to View Pricing, Inventory, Delivery & Lifecycle Information:

[Weidmuller:](#)

[0342600000](#)