

KLIPPON K5

Weidmüller Interface GmbH & Co. KG

Klingenbergstraße 26

D-32758 Detmold

Germany

www.weidmueller.com

Similar to illustration



The aluminium Klippon® K enclosures are suitable for use in an extremely wide range of different areas. Various components can be installed inside the enclosures, and will benefit in particular from the high temperature resistance, the excellent IP protection and the good impact resistance.

No matter what kind of application the customer is planning, Weidmüller is able to provide a wide range of aluminium enclosures precisely fitting the customer's requirements.

Klippon® K enclosures for hazardous areas are available on request.

Our extensive product range offers the following advantages:

- Available in two surface finishes: natural and powder-coated (RAL 7001)
- With chloroprene moulded seal as standard (silicone moulded seal optionally available)
- Standardised closure system with Torx slotted screw head for 19 enclosure sizes
- Mounting holes outside of the gasket area
- High IP protection classes: IP66, IP67 and IP68 according to DIN EN 60529
- Impact resistance of up to 7 (10) Joules
- The enclosures are approved according ATEX, IECEx, EAC, cULus, Russian Maritime Register and DNV GL as well as the empty enclosure standard.

- Suitable for railway applications according to EN 45545-2:2013
- Alloy is resistant to salt water
- Standardised distributor enclosures with threaded holes and a variety of terminal configurations

General ordering data

Version	Klippon K (aluminium empty enclosure), Empty enclosure, Aluminium enclosure, Height: 130 mm, Width: 170 mm, Depth: 90 mm, Material: Aluminium AlSi12, untreated, silver
Order No.	0342400000
Type	KLIPPON K5
GTIN (EAN)	4008190075811
Qty.	1 pc(s).
Unassembled to fit rail	1910080000

Creation date January 14, 2022 5:00:30 PM CET

KLIPPON K5

Weidmüller Interface GmbH & Co. KG

Klingenbergstraße 26

D-32758 Detmold

Germany

www.weidmueller.com

Technical data

Dimensions and weights

Depth	90 mm	Depth (inches)	3.543 inch
Height	130 mm	Height (inches)	5.118 inch
Width	170 mm	Width (inches)	6.693 inch
Mounting dimension - height	110 mm	Mounting dimension - width	150 mm
Weight	1,540 g	Net weight	1,360 g

Temperatures

Operating temperature -40 °C...80 °C

Environmental Product Compliance

REACH SVHC Lead 7439-92-1

Cable glands, left

M12	4	M16	2
M20	1	M25	1
M32	1		

Cable glands, right

M12	4	M16	2
M20	1	M25	1
M32	1		

Cable glands, top/bottom

M12	11	M16	8
M20	4	M25	3
M32	2		

Certificate numbers enclosure

Approval conditions	cULus, RMRS, DNV	Certificate No. (DNVGL)	TAE00002SM
Certificate No. (EAC)	C-DE.HB07.B.00089-20	Certificate No. (GERMLLOYD)	TAE00002SM
Certificate No. (MARITREG)	19.00108.272	Certificate no. (cULus)	E197061
Certificate no. Terminal Box (EAC)	C-DE.AД54.B.00251/19 Ind. Terminal Box	Certificate no., empty enclosure (EAC)	C-DE.HB07.B.00089/20
Declaration of Conformity No. (DoC LVD)	DE_PS2410_160412_001ISS01		

KLIPPON K5

Weidmüller Interface GmbH & Co. KG

Klingenbergstraße 26

D-32758 Detmold

Germany

www.weidmueller.com

Technical data

General information

Access opening: height	120.8 mm	Access opening: width	160.8 mm
Areas of use	Process industry, Transportation, Marine engineering, Packaging industry, Harbour facilities, Machine construction	Enclosure attachment	
Flange plate	No	Halogen	No (only contained in the seal)
Impact resistance	10.00 J	Integral fixing	Threaded holes M5
Lid	Yes	Lid attachment	M5 torx stainless steel screws with slot
Material	Aluminium AlSi12	Material thickness of cover	3 mm
Material thickness of enclosure	4.6 mm	Note: protection class	IP68 (t=72h, h=1m)
Number of lid screws	4	Operating temperature, max.	80 °C
Operating temperature, min.	-40 °C	Protection class (UL)	Type 4, Type 4x
Protection degree	IP66, IP67, IP68	Seal material	Chloroprene
Standards	EN 45545-2:2013	Surface finish	untreated
Torque for lid screws	2.5 Nm		

horizontal assembly

WDU 10 / ZDU 10	1x10	WDU 16 / ZDU 16	1x8
WDU 2,5 / ZDU 2,5 / IDU 2,5	1x20	WDU 4 / ZDU 4	1x17
WDU 6 / ZDU 6	1x12		

vertical assembly

WDU 2,5 / ZDU 2,5 / IDU 2,5	*	WDU 4 / ZDU 4	*
-----------------------------	---	---------------	---

Classifications

ETIM 6.0	EC000261	ETIM 7.0	EC000261
ETIM 8.0	EC000261	ECLASS 9.0	27-18-01-01
ECLASS 9.1	27-18-92-90	ECLASS 10.0	27-18-01-01
ECLASS 11.0	27-18-01-01		

Approvals

Approvals



ROHS	Conform
UL File Number Search	E197061

KLIPPON K5

Weidmüller Interface GmbH & Co. KG
Klingenbergstraße 26
D-32758 Detmold
Germany

www.weidmueller.com

Technical data

Downloads

Approval/Certificate/Document of Conformity	C-DE.A154.B.00251.19 Ind. Terminal Box RUC-DE.BE02.B.00173 TAE00002SM 19.00108.272 EU Declaration of Conformity - Klippon K Empty Enclosures - DoC DE PS2410 160412 001ISS02 DoM Klippon K salt water resistance DoM Klippon K EN 45545-2 2013 Railway
Engineering Data	CAD data – STEP
Engineering Data	EPLAN, WSCAD
Tender specification	Klippon K5_0342400000_DE Klippon K5_0342400000_EN
User Documentation	Assembly guidelines - empty enclosures
Catalogues	Catalogues in PDF-format
Brochures	MB KLIPPON ENCL.TECN EN FL RAILWAY 2014 EN FL RAILWAY 2014 EN

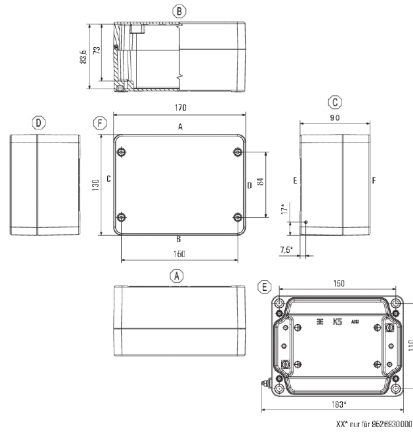
KLIPPON K5

Weidmüller Interface GmbH & Co. KG
 Klingenbergstraße 26
 D-32758 Detmold
 Germany

www.weidmueller.com

Drawings

Dimensioned drawing



KLIPPON K5

Weidmüller Interface GmbH & Co. KG
 Klingenbergstraße 26
 D-32758 Detmold
 Germany

www.weidmueller.com

Accessories

Spacer



Integrate, expand and customise: The ideal expansion for every application

The consistent structure of accessories for the Klippon® EBi enclosure range means that you can easily adapt the enclosure to the specific requirements of each application.

General ordering data

Type	SP M6 15 MSZN	Version
Order No.	3896100000	Klippon EBi (Essential Box industrial), Spacer, Height: 15 mm,
GTIN (EAN)	4008190857851	Material: Steel, silver
Qty.	1 pc(s).	
Type	SP M6 20 MSZN	Version
Order No.	3896200000	Klippon EBi (Essential Box industrial), Spacer, Height: 20 mm,
GTIN (EAN)	4008190850234	Material: Steel, silver
Qty.	2 pc(s).	
Type	SP M6 30 MSZN	Version
Order No.	3896300000	Klippon EBi (Essential Box industrial), Spacer, Height: 30 mm,
GTIN (EAN)	4008190850241	Material: Steel, silver
Qty.	2 pc(s).	

Klippon® K - Mounting plates



The system accessories for the Klippon® K enclosure series allows you to easily adapt the enclosures to meet the specific requirements of every application.

- DIN Rails TS 35 and TS15
- Mounting plates
- Hinges
- Wall-mounted holder

General ordering data

Type	MOPL K5 STAHL	Version
Order No.	3073080000	Klippon K (aluminium empty enclosure), Mounting plate, Mounting
GTIN (EAN)	4008190858018	plate, Height: 110 mm, Width: 150 mm, Depth: 2 mm, Material: Sheet
Qty.	1 pc(s).	steel, galvanized, galvanized, silver

KLIPPON K5

Weidmüller Interface GmbH & Co. KG
 Klingenbergstraße 26
 D-32758 Detmold
 Germany

www.weidmueller.com

Accessories

Depth 7.5 mm



The system accessories for the Klippon® K enclosure series allows you to easily adapt the enclosures to meet the specific requirements of every application.

- DIN Rails TS 35 and TS 15
- Mounting plates
- Hinges
- Wall-mounted holder

General ordering data

Type	TS35X7.5 ST K5	Version
Order No.	8000003902	Rail, TS 35, TS 35 x 7.5, Width: 148 mm, without slot, Steel, galvanic zinc plated and passivated
GTIN (EAN)	4050118652635	
Qty.	20 pc(s).	
Type	TS35/148 KLIPPON K5 CSS	Version
Order No.	1910080000	Rail, TS 35, TS 35 x 7.5, Width: 148 mm, without slot, Steel, galvanized, chromium-plated
GTIN (EAN)	4032248536993	
Qty.	1 pc(s).	

Klippon® K - Hinge



The system accessories for the Klippon® K enclosure series allows you to easily adapt the enclosures to meet the specific requirements of every application.

- DIN Rails TS 35 and TS 15
- Mounting plates
- Hinges
- Wall-mounted holder

General ordering data

Type	HG K+POK	Version
Order No.	1580360000	Klippon POK (polyester empty enclosure), External joint, Hinge, Material: Aluminium AISi12, silver
GTIN (EAN)	4008190203542	
Qty.	1 pc(s).	

KLIPPON K5

Weidmüller Interface GmbH & Co. KG
 Klingenbergstraße 26
 D-32758 Detmold
 Germany

www.weidmueller.com

Accessories

Screws

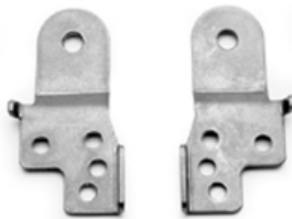


Depending on the terminal block or also accessories, we offer different types of screws as additional items or also spare parts.

General ordering data

Type	FKSC M5X8 D9/SW2.5	Version
Order No.	029590000	SAK Series, Allen hex screw, Screws, Number of poles: 1
GTIN (EAN)	4008190133337	
Qty.	50 pc(s).	

Klippon® K - Wall-mounted holder



The system accessories for the Klippon® K enclosure series allows you to easily adapt the enclosures to meet the specific requirements of every application.

- DIN Rails TS 35 and TS 15
- Mounting plates
- Hinges
- Wall-mounted holder

General ordering data

Type	KLIPPON K MF KIT 16	Version
Order No.	952908000	Klippon K (aluminium empty enclosure), Mounting foot, Fixing lugs,
GTIN (EAN)	4008190916299	Material: Stainless steel 1.4301, silver
Qty.	1 pc(s).	

KLIPPON K5

Weidmüller Interface GmbH & Co. KG
 Klingenbergstraße 26
 D-32758 Detmold
 Germany

www.weidmueller.com

Accessories

Depth 15 mm



The system accessories for the Klippon® K enclosure series allows you to easily adapt the enclosures to meet the specific requirements of every application.

- DIN Rails TS 35 and TS 15
- Mounting plates
- Hinges
- Wall-mounted holder

General ordering data

Type	TS35X15 ST K5	Version
Order No.	8000073093	Rail, TS 35, TS 35 x 15, Width: 148 mm, Steel, galvanic zinc plated
GTIN (EAN)	4064675337034	and passivated
Qty.	20 pc(s).	

Mouser Electronics

Authorized Distributor

Click to View Pricing, Inventory, Delivery & Lifecycle Information:

[Weidmuller:](#)

[0342400000](#)