

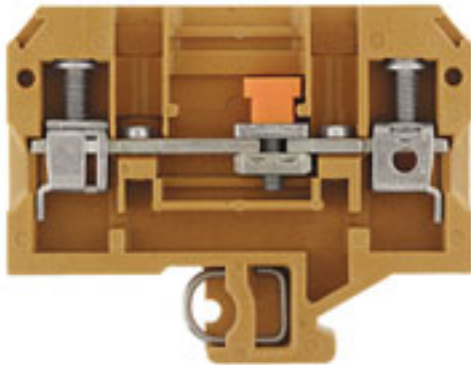
SAKT 1/LT**Weidmüller Interface GmbH & Co. KG**

Klingenbergstraße 26

D-32758 Detmold

Germany

www.weidmueller.com

Product image**Klippon® Connect with clamping yoke Technology**

The high reliability and variety of designs of the terminal blocks with clamping yoke connections make planning easier and optimises operational safety. Klippon® Connect provides a proven response to a range of different requirements.

General ordering data

Version	SAK Series, Test-disconnect terminal, Rated cross-section: 6 mm ² , Screw connection, medium yellow, Direct mounting
Order No.	0269 120000
Type	SAKT 1/LT
GTIN (EAN)	4008 190185978
Qty.	50 pc(s).

Creation date January 14, 2022 2:44:41 AM CET

Catalogue status 17.12.2021 / We reserve the right to make technical changes.

SAKT 1/LT

Weidmüller Interface GmbH & Co. KG

Klingenbergstraße 26

D-32758 Detmold

Germany

www.weidmueller.com

Technical data

Dimensions and weights

Depth	52.5 mm	Depth (inches)	2.067 inch
Height	65 mm	Height (inches)	2.559 inch
Width	8 mm	Width (inches)	0.315 inch
Net weight	25.4 g		

Temperatures

Storage temperature	-25 °C...55 °C	Continuous operating temp., min.	-60 °C
Continuous operating temp., max.	130 °C		

Material data

Material	KrG	Colour	medium yellow
UL 94 flammability rating	V-0, 5VA		

System specifications

Version	Screw connection, Special terminal longitudinal isolator. One end without connector	End cover plate required	Yes
Number of potentials	1	Number of levels	1
Number of clamping points per level	2	Number of potentials per tier	1
Levels cross-connected internally	No	PE connection	No
Rail	TS 32	N-function	No
PE function	No	PEN function	No

Additional technical data

Explosion-tested version	No	Installation advice	Direct mounting
Number of similar terminals	1	Open sides	right
Type of mounting	Snap-on		

CSA rating data

Certificate No. (CSA)	12400-198	Current size C (CSA)	25 A
Voltage size C (CSA)	300 V	Wire cross section max. (CSA)	8 AWG
Wire cross section min. (CSA)	26 AWG		

SAKT 1/LT

Weidmüller Interface GmbH & Co. KG
 Klingenbergstraße 26
 D-32758 Detmold
 Germany

www.weidmueller.com

Technical data

Conductors for clamping (rated connection)

Blade size	4.0 x 0.8 mm	Clamping range, max.	10 mm ²
Clamping range, min.	0.13 mm ²	Clamping screw	M 3.5
Connection cross-section, stranded, max.	10 mm ²	Connection cross-section, stranded, min.	1.5 mm ²
Connection direction	on side	Gauge to IEC 60947-1	A5
Number of connections	2	Stripping length	12 mm
Tightening torque, max.	1.6 Nm	Tightening torque, min.	0.8 Nm
Torque level with DMS electric screwdriver	3	Type of connection	Screw connection
Wire connection cross section AWG, max.	AWG 8	Wire connection cross section AWG, min.	AWG 26
Wire connection cross section, finely stranded, max.	6 mm ²	Wire connection cross section, finely stranded, min.	0.5 mm ²
Wire connection cross-section, finely stranded with wire-end ferrules DIN 46228/1, max.	6 mm ²	Wire connection cross-section, finely stranded with wire-end ferrules DIN 46228/1, min.	0.5 mm ²
Wire connection cross-section, solid core, max.	10 mm ²	Wire connection cross-section, solid core, min.	0.5 mm ²

Disconnect terminals

Cross-disconnect	without	Integral test socket	No
Slitting	sliding		

General

Installation advice	Direct mounting	Rail	TS 32
Standards	IEC 60947-7-1	Wire connection cross section AWG, max.	AWG 8
Wire connection cross section AWG, min.	AWG 26		

Rating data

Rated cross-section	6 mm ²	Rated voltage	400 V
Rated current	41 A	Current at maximum wires	57 A
Standards	IEC 60947-7-1	Volume resistance according to IEC 60947-7-x	0.78 mΩ
Rated impulse withstand voltage	6 kV	Power loss in accordance with IEC 60947-7-x	1.31 W
Pollution severity	3		

UL rating data

Certificate No. (UR)	E60693	Conductor size Factory wiring max. (UR)	8 AWG
Conductor size Factory wiring min. (UR)	26 AWG	Conductor size Field wiring max. (UR)	8 AWG
Conductor size Field wiring min. (UR)	22 AWG	Current size C (UR)	25 A
Voltage size C (UR)	300 V		

Classifications

ETIM 6.0	EC000902	ETIM 7.0	EC000902
ETIM 8.0	EC000902	ECLASS 9.0	27-14-11-26
ECLASS 9.1	27-14-11-26	ECLASS 10.0	27-14-11-26
ECLASS 11.0	27-14-11-26		

Creation date January 14, 2022 2:44:41 AM CET

Data sheet**SAKT 1/LT**

Weidmüller Interface GmbH & Co. KG
Klingenbergstraße 26
D-32758 Detmold
Germany

www.weidmueller.com

Technical data**Approvals**

Approvals



ROHS	Conform
UL File Number Search	E60693

Downloads

Approval/Certificate/Document of Conformity	EAC certificate Declaration of Conformity CE Declaration of Conformity all terminals
Engineering Data	EPLAN, WSCAD
User Documentation	StorageConditionsTerminalBlocks
Catalogues	Catalogues in PDF-format

SAKT 1/LT

Weidmüller Interface GmbH & Co. KG
 Klingenbergstraße 26
 D-32758 Detmold
 Germany

www.weidmueller.com

Accessories

SAK-Series



SAK
Series

End plates are fitted to the open side of the last modular terminal before the end bracket. The use of an end plate ensures the function of the modular terminal and the specified rated voltage. It guarantees protection against contact with live parts and makes the final terminal finger-proof.

General ordering data

Type	AP SAKB/C/T KRG	Version
Order No.	0146720000	SAK Series, End plate, 3 mm, dark beige, yellow, Direct mounting
GTIN (EAN)	4008190027995	
Qty.	20 pc(s).	
Type	TW SAKB/C/T1	Version
Order No.	0242960000	SAK Series, Partition plate, 1.5 mm, beige, Direct mounting
GTIN (EAN)	4008190104092	
Qty.	20 pc(s).	

TS 32



TS 32

Weidmüller's range of products includes end brackets that guarantee a permanent, reliable mounting on the terminal rail and prevent sliding. Versions with and without screws are available. The end brackets include marking options, also for group markers, and also a test plug holder.

General ordering data

Type	EWK 1	Version
Order No.	0206160000	Accessories, End bracket
GTIN (EAN)	4008190080020	
Qty.	50 pc(s).	
Type	WEW 32/1	Version
Order No.	1067600000	W-Series, End bracket
GTIN (EAN)	4008190099657	
Qty.	50 pc(s).	
Type	EWK 1 ALT	Version
Order No.	0495160000	Accessories, End bracket
GTIN (EAN)	4008190160777	
Qty.	50 pc(s).	
Type	EWK 2	Version
Order No.	0199360000	Accessories, End bracket
GTIN (EAN)	4008190023546	
Qty.	50 pc(s).	

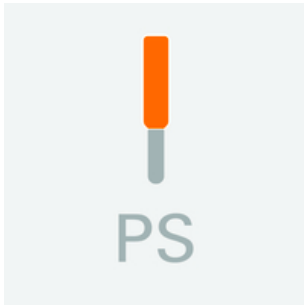
SAKT 1/LT

Weidmüller Interface GmbH & Co. KG
 Klingenbergstraße 26
 D-32758 Detmold
 Germany

www.weidmueller.com

Accessories

Test plugs



Test adapters and test plugs are used for the electrical connection between terminal blocks and the test equipment. In this way, an electrical contact can be established in the wired state and measurements can be done easily.

General ordering data

Type	PS 4 F.STB 4	Version
Order No.	029960000	Accessories, Test plug
GTIN (EAN)	4008190074043	
Qty.	20 pc(s).	

Shorting elements



Current and voltage transformer wiring

Our test disconnect terminal blocks featuring spring and screw connection technology allow you to create all the important converter circuits for measuring current, voltage and power in a safe and sophisticated way.

General ordering data

Type	QVS 2/S SAKT1+2	Version
Order No.	0358460000	SAK Series, Cross-connector, Cross-connector, Number of poles: 2
GTIN (EAN)	4008190157937	
Qty.	20 pc(s).	
Type	QS 2/8/4	Version
Order No.	0270960000	SAK Series, Short-circuit plug, For the terminals, Number of poles: 2
GTIN (EAN)	4008190077006	
Qty.	20 pc(s).	
Type	QVS 3 SAKT1+2	Version
Order No.	0329300000	SAK Series, Cross-connector, Cross-connector, Number of poles: 3
GTIN (EAN)	4008190084714	
Qty.	20 pc(s).	
Type	QVS 2 SAKT1+2	Version
Order No.	0307300000	SAK Series, Cross-connector, Cross-connector, Number of poles: 2
GTIN (EAN)	4008190036140	
Qty.	20 pc(s).	

SAKT 1/LT

Weidmüller Interface GmbH & Co. KG
 Klingenbergstraße 26
 D-32758 Detmold
 Germany

www.weidmueller.com

Accessories

Fixing screws



Current and voltage transformer wiring

Our test disconnect terminal blocks featuring spring and screw connection technology allow you to create all the important converter circuits for measuring current, voltage and power in a safe and sophisticated way.

General ordering data

Type	BS 25 IH/RT SAKT1	Version
Order No.	0335500000	SAK Series, Set of fixings
GTIN (EAN)	4008190118877	
Qty.	50 pc(s).	
Type	BS 25 IH/GR SAKT1	Version
Order No.	0335300000	SAK Series, Set of fixings
GTIN (EAN)	4008190136864	
Qty.	50 pc(s).	
Type	BS 25 IH/GE SAKT1	Version
Order No.	0335700000	SAK Series, Set of fixings
GTIN (EAN)	4008190189235	
Qty.	50 pc(s).	
Type	BS 25 IH/SW SAKT1	Version
Order No.	0335200000	SAK Series, Set of fixings
GTIN (EAN)	4008190114039	
Qty.	50 pc(s).	
Type	KISC M3X20 SAK 10 CU5	Version
Order No.	0377100000	SAK Series, Mounting screw, Steel
GTIN (EAN)	4008190060350	
Qty.	100 pc(s).	

SAKT 1/LT

Weidmüller Interface GmbH & Co. KG
Klingenbergstraße 26
D-32758 Detmold
Germany

www.weidmueller.com

Accessories

Custom printing



The Dekafix (DEK) marker is the universal marker for all conductor and plug-in connectors as well as for electronic sub-assemblies. The system is ideal for short number sequences and covers a wide range of ready-printed markers.

Strips for fast installation in only one work step. The printing is easy to read, rich in contrast and available in various widths.

- Large range of ready-to-use markers
- Strips for fast installation
- Terminal markers, suitable for all Weidmüller cable connectors
- Available as blank MultiCard or with standard printing

For custom printing: Please send us a file of our labeling software M-Print PRO or M-Print PRO Online (without installation) for your labeling specifications.

General ordering data

Type	DEK 5/6.5 MC SDR	Version
Order No.	1609850000	Dekafix, Terminal marker, 5 x 6.5 mm, Pitch in mm (P): 6.50
GTIN (EAN)	4008190456610	Weidmueller, To customer specification
Qty.	180 pc(s).	

QL / SAK 6N



Screwable cross-connections are easy to mount and de mount. Thanks to the big contact surface, even high currents can be transmitted with maximum contact reliability.

General ordering data

Type	QL 15 SAK6N	Version
Order No.	0221200000	SAK Series, Cross-connector, for cross-connection link, Number of poles: 15
GTIN (EAN)	4008190042110	
Qty.	10 pc(s).	
Type	QL 3 SAK6N	Version
Order No.	0194400000	SAK Series, Cross-connector, for cross-connection link, Number of poles: 3
GTIN (EAN)	4008190063351	
Qty.	50 pc(s).	
Type	QL 10 SAK6N	Version
Order No.	0338300000	SAK Series, Cross-connector, for cross-connection link, Number of poles: 10
GTIN (EAN)	4008190176679	
Qty.	20 pc(s).	

SAKT 1/LT

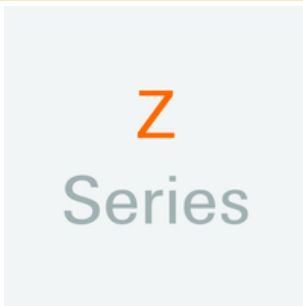
Weidmüller Interface GmbH & Co. KG
 Klingenbergstraße 26
 D-32758 Detmold
 Germany

www.weidmueller.com

Accessories

Type	QL 4 SAK6N	Version
Order No.	0194500000	SAK Series, Cross-connector, for cross-connection link, Number of
GTIN (EAN)	4008190025601	poles: 4
Qty.	50 pc(s).	
Type	QL 2 SAK6N	Version
Order No.	0194300000	SAK Series, Cross-connector, for cross-connection link, Number of
GTIN (EAN)	4008190182854	poles: 2
Qty.	50 pc(s).	

Z-Series



Weidmüller's range of products includes end brackets that guarantee a permanent, reliable mounting on the terminal rail and prevent sliding. Versions with and without screws are available. The end brackets include marking options, also for group markers, and also a test plug holder.

General ordering data

Type	ZEW 35/2	Version
Order No.	8630740000	Z-series, End bracket
GTIN (EAN)	4032248348916	
Qty.	20 pc(s).	
Type	ZEW 35	Version
Order No.	9540000000	Z-series, End bracket
GTIN (EAN)	4008190956264	
Qty.	20 pc(s).	

Connection sleeves



General ordering data

Type	VH 12/4.9/3.3 SAK6N	Version
Order No.	0249000000	SAK Series, Connecting sleeve, for cross-connection link, Number of
GTIN (EAN)	4008190129507	poles:
Qty.	100 pc(s).	

SAKT 1/LT

Weidmüller Interface GmbH & Co. KG
 Klingenbergstraße 26
 D-32758 Detmold
 Germany

www.weidmueller.com

Accessories

Type	VH 19/6/4.2 SAKT1	Version
Order No.	031800000	SAK Series, Connecting sleeve, for cross-connection link, Number of
GTIN (EAN)	4008190059460	poles: 1
Qty.	50 pc(s).	

Switch lock



Current and voltage transformer wiring

Our test disconnect terminal blocks featuring spring and screw connection technology allow you to create all the important converter circuits for measuring current, voltage and power in a safe and sophisticated way.

General ordering data

Type	SSP 3 SAKT 1	Version
Order No.	053176000	SAK Series, Lockout device
GTIN (EAN)	4008190130787	
Qty.	100 pc(s).	

Blank



The Dekafix (DEK) marker is the universal marker for all conductor and plug-in connectors as well as for electronic sub-assemblies. The system is ideal for short number sequences and covers a wide range of ready-printed markers.

Strips for fast installation in only one work step. The printing is easy to read, rich in contrast and available in various widths.

- Large range of ready-to-use markers
- Strips for fast installation
- Terminal markers, suitable for all Weidmüller cable connectors
- Available as blank MultiCard or with standard printing

For custom printing: Please send us a file of our labeling software M-Print PRO or M-Print PRO Online (without installation) for your labeling specifications.

General ordering data

Type	DEK 5/6.5 MC NE WS	Version
Order No.	160984000	Dekafix, Terminal marker, 5 x 6.5 mm, Pitch in mm (P): 6.50
GTIN (EAN)	4008190203429	Weidmueller, white
Qty.	900 pc(s).	

SAKT 1/LT

Weidmüller Interface GmbH & Co. KG
 Klingenbergstraße 26
 D-32758 Detmold
 Germany

www.weidmueller.com

Accessories

W-Series



W
Series

Weidmüller's range of products includes end brackets that guarantee a permanent, reliable mounting on the terminal rail and prevent sliding. Versions with and without screws are available. The end brackets include marking options, also for group markers, and also a test plug holder.

General ordering data

Type	WEW 35/1	Version
Order No.	1059000000	W-Series, End bracket
GTIN (EAN)	4008190172282	
Qty.	50 pc(s).	
Type	WEW 35/2	Version
Order No.	1061200000	W-Series, End bracket
GTIN (EAN)	4008190030230	
Qty.	50 pc(s).	

SAK-Series



SAK
Series

Weidmüller's range of products includes end brackets that guarantee a permanent, reliable mounting on the terminal rail and prevent sliding. Versions with and without screws are available. The end brackets include marking options, also for group markers, and also a test plug holder.

General ordering data

Type	EW 35	Version
Order No.	0383560000	Accessories, End bracket
GTIN (EAN)	4008190181314	
Qty.	50 pc(s).	
Type	EW 35 GR 7032	Version
Order No.	0383530000	Accessories, End bracket
GTIN (EAN)	4008190027322	
Qty.	50 pc(s).	
Type	EW 35/SCHA/M3	Version
Order No.	0258660000	Accessories, End bracket
GTIN (EAN)	4008190033477	
Qty.	20 pc(s).	

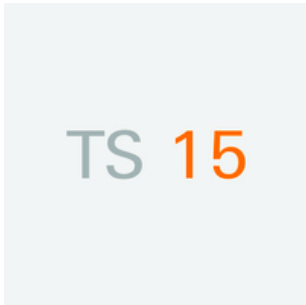
SAKT 1/LT

Weidmüller Interface GmbH & Co. KG
 Klingenbergstraße 26
 D-32758 Detmold
 Germany

www.weidmueller.com

Accessories

TS 15



Weidmüller's range of products includes end brackets that guarantee a permanent, reliable mounting on the terminal rail and prevent sliding. Versions with and without screws are available. The end brackets include marking options, also for group markers, and also a test plug holder.

General ordering data

Type	EW 15	Version
Order No.	0382860000	Accessories, End bracket
GTIN (EAN)	4008190187804	
Qty.	50 pc(s).	
Type	EW 15/2	Version
Order No.	1071900000	Accessories, End bracket
GTIN (EAN)	4008190462949	
Qty.	50 pc(s).	
Type	ZEW 15	Version
Order No.	7920340000	Accessories, End bracket
GTIN (EAN)	4032248238910	
Qty.	20 pc(s).	

Mouser Electronics

Authorized Distributor

Click to View Pricing, Inventory, Delivery & Lifecycle Information:

[Weidmuller:](#)

[0269120000](#)