

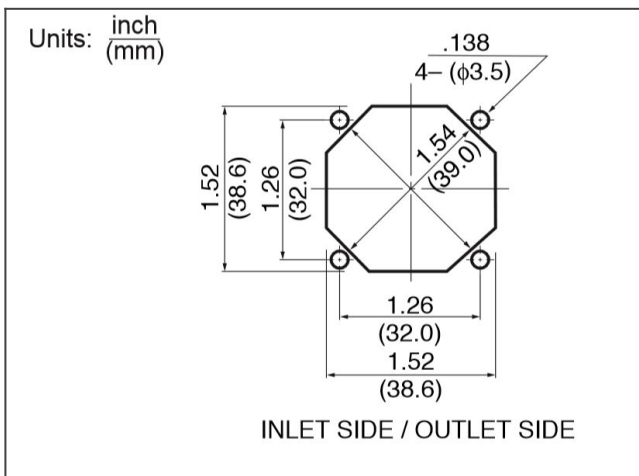
General Specifications

Motor Protection: Auto Restart/Polarity Protection
 Insulation Resistance: 10M Ohm or over with a DC500V Megger
 Dielectric Withstand Voltage: AC 700V 1st
 Allowable Ambient Temperature Range:
 -10 degree C ~ +70 degree C (Operating)
 -40 degree C ~ +70 degree C (Storage)
 (non-condensing environment)

order part 04010KA-12L-AA-00 Ball Bearing Fan DC Fans



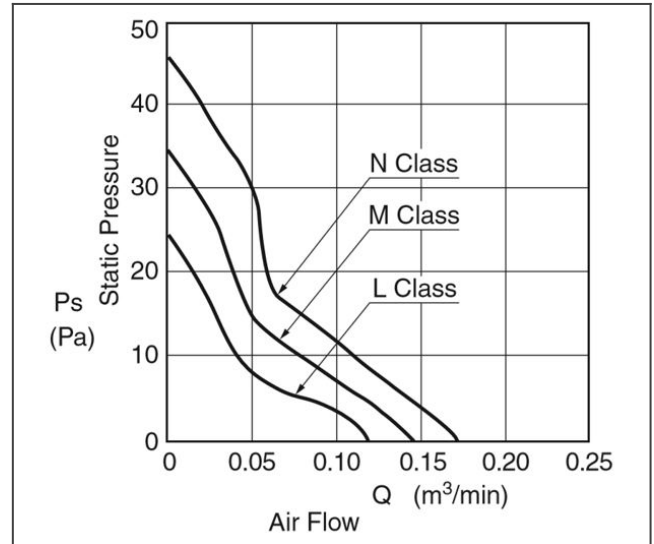
04010KA panel cut outs



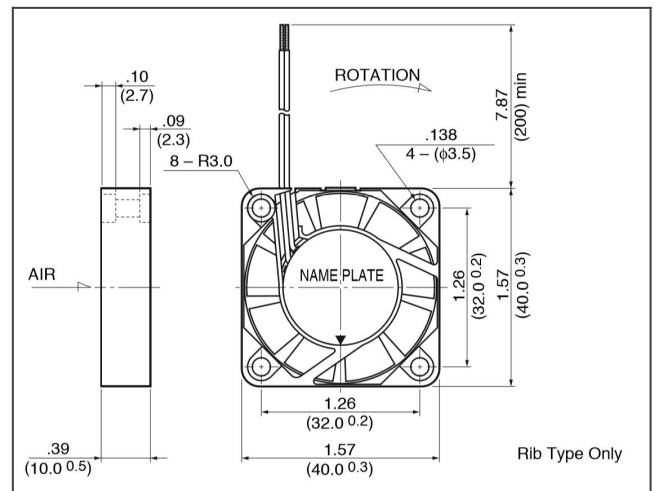
Material

Casing: Plastic (Black) UL94V-0
 Impeller: Plastic (Black) UL94V-0
 Bearing: Sleeve Bearing
 Lead Wire: UL1061, AWG26, +Red, -Black

04010KA characteristics curve



04010KA product drawing



Detailed Specifications

DC Fans

Expected Life:	25 degree C 60,000 Hours (L10)
DC Fan:	Ball Bearing Fan
Nominal Voltage:	12[V]
Operating Voltage Lower:	10.2[V]
Operating Voltage Upper:	13.8[V]
Current:	0.06[A]
Input Power:	0.7[W]
Speed:	4500[min^{-1}]
Max. Air Flow:	0.12[m^3/min]
Max. Air Flow:	4.2[CFM]
Max. Static Pressure:	24[Pa]
Max. Static Pressure:	0.1[In H ₂ O]
Noise:	22[dB]
Mass:	15[g]
Fan Size:	40[mm]
Fan Width:	10[mm]
Life Expectancy L10:	25 degree C 60,000 Hours (L10)
Series:	04010KA

Mouser Electronics

Authorized Distributor

Click to View Pricing, Inventory, Delivery & Lifecycle Information:

[NMB Technologies:](#)

[04010KA-12L-AA-00](#)