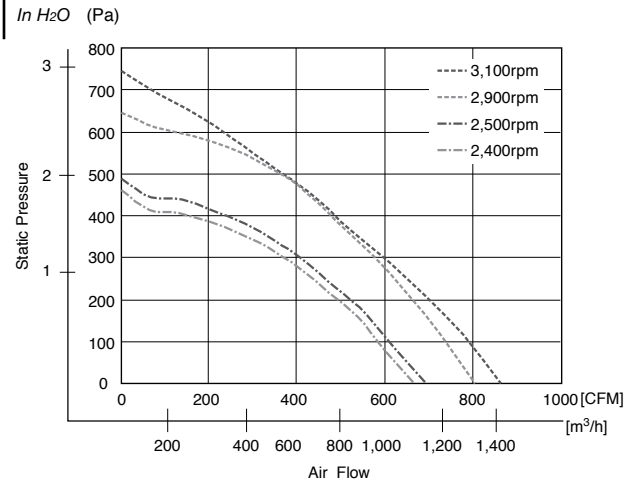




Characteristic Curves



Impellers

General Specifications

Motor Protection:

Locked Rotor, Reverse Polarity

Insulation Resistance:

10M Ω min measured with 500V DC between all leads shorted together and case

Dielectric Withstand Voltage: AC 700V 1 minute

Allowable Ambient Temperature Range:

-30°C ~ +70°C (Operating)
-40°C ~ +80°C (Storage)

Expected Life

Failure Rate: 10%

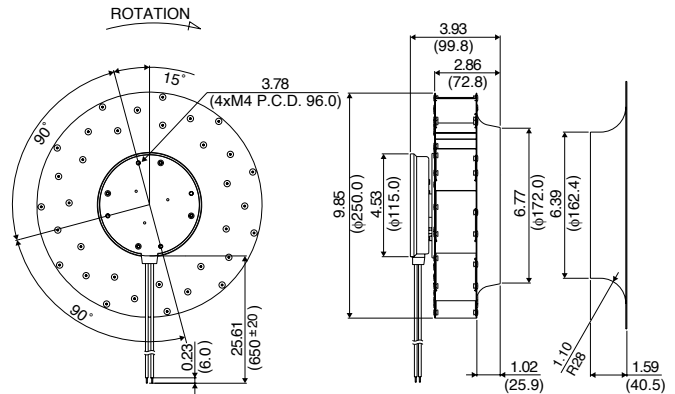
40°C 70,000 Hours (L10)

Material

Impeller : Steel
Bearing : Ball Bearing
Lead Wire : UL1015, AWG18, +Red, -Black,
Speed Control = Yellow,
Speed Signal = White

Outline

Units: inch (mm)



Specifications

MODEL	Rated Voltage	Operating Voltage	Current	Input Power	Speed	Max. Air Flow		Max. Static Pressure		Noise	Mass
	(V)	(V)	(A) ^{*1}	(W) ^{*1}	(min ⁻¹) ^{*1}	CFM ^{*1}	(m ³ /min) ^{*1}	in H ₂ O	(Pa) ^{*1}	(dB) ^{*1}	(g)
F250A3-072-D0730	48	30 ~ 72	3.40	163.2	3100	862	24.41	2.98	745	81	2400
F250A4-072-D0720	48	30 ~ 72	1.85	88.8	2500	693	19.63	1.96	490	74	2400
F250A5-072-D0520	24	18 ~ 30	6.05	145.2	2900	806	22.83	2.59	646	78	2400
F250A6-072-D0520	24	18 ~ 30	3.50	84.0	2400	668	18.92	1.84	460	73	2400

Rotation: Clockwise

*1: Average Values in Free Air and Rated Voltage Condition

Mouser Electronics

Authorized Distributor

Click to View Pricing, Inventory, Delivery & Lifecycle Information:

[NMB Technologies:](#)

[F250A3-072-D0730](#) [F250A4-072-D0720](#) [F250A5-072-D0520](#) [F250A6-072-D0420](#)