

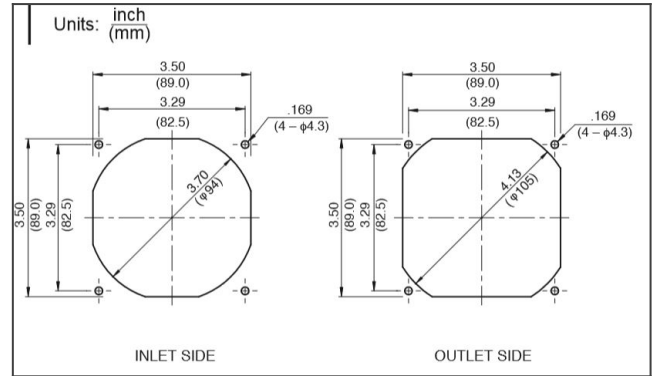
General Specifications

Motor Protection: Auto Restart/Polarity Protection
 Insulation Resistance: 10M Ohm or over with a DC500V Megger
 Dielectric Withstand Voltage: AC 700V 1st
 Allowable Ambient Temperature Range:
 -10 degree C ~ +70 degree C (Operating)
 -40 degree C ~ +70 degree C (Storage)

Material

Casing: Plastic (Black) UL94V-0
 Impeller: Plastic (Black) UL94V-0
 Lead Wire: UL3385, AWG26, +Red, -Black

09225VA panel cut out

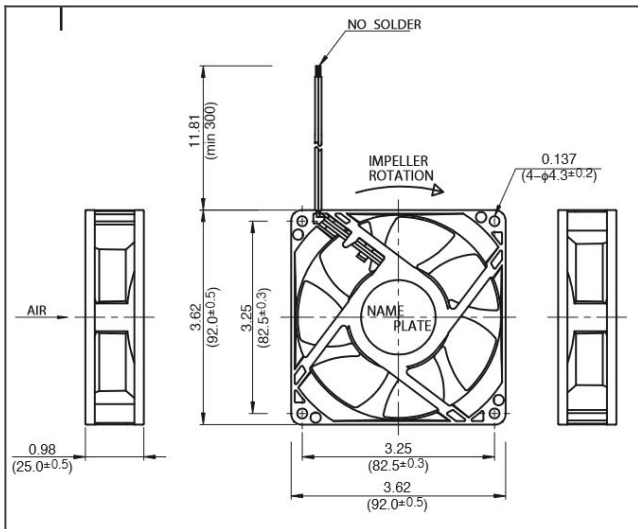


order part **09225VA-24M-CA-00 IP69K Ball Bearing Fan DC Fans**



DC Fans

09225VA product drawing



Detailed Specifications

Expected Life:	25 degree C 100,000 Hours (L10)
DC Fan:	IP69K Ball Bearing Fan
Nominal Voltage:	24[V]
Operating Voltage Lower:	14[V]
Operating Voltage Upper:	27.6[V]
Industry:	Food Processing / Industrial Machines / Consumer Technology
Current:	0.17[A]
Input Power:	4.1[W]
Speed:	4000[min^{-1}]
Max. Air Flow:	1.93[m^3/min]
Max. Air Flow:	68.1[CFM]
Max. Static Pressure:	80[Pa]
Max. Static Pressure:	0.32[In H ₂ O]
Noise:	42[dB]
Mass:	150[g]
Fan Size:	92[mm]
Fan Width:	25[mm]
Life Expectancy L10:	25 degree C 100,000 Hours (L10)
Series:	09225VA

DC Fans

Mouser Electronics

Authorized Distributor

Click to View Pricing, Inventory, Delivery & Lifecycle Information:

[NMB Technologies:](#)

[09225VA-24M-CA-00](#)