

General Specifications

Motor Protection: Auto Restart / Polarity Protection
 Insulation Resistance: 10M Ohm or over with a DC500V Megger
 Dielectric Withstand Voltage: AC 700V 1st
 Allowable Ambient Temperature Range:
 -10 degree C ~ +70 degree C (Operating)
 -40 degree C ~ +70 degree C (Storage)
 (non-condensing environment)

Material

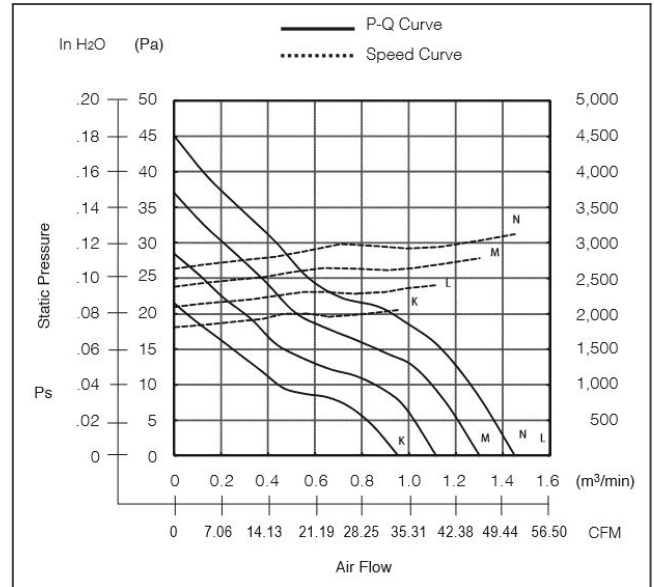
Casing: Plastic (Black) UL94V-0
 Impeller: Plastic (Black) UL94V-0
 Lead Wire: UL1007, AWG26, +Red, -Black

order part 09225SS-12M-AA-D0 Sleeve Bearing Fan DC Fans

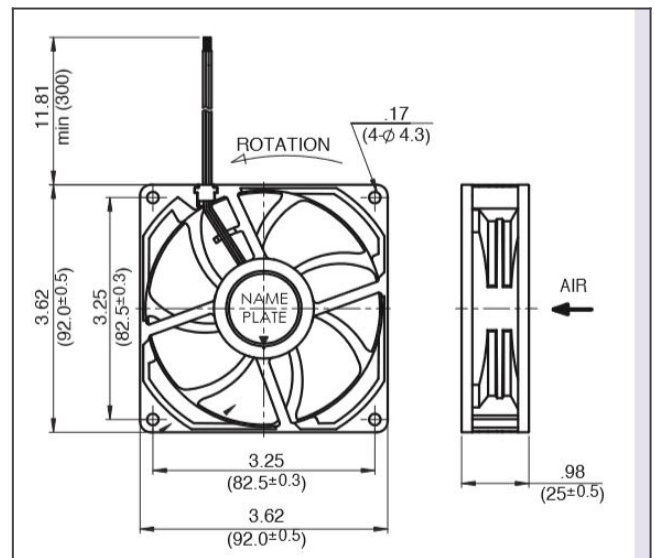


DC Fans

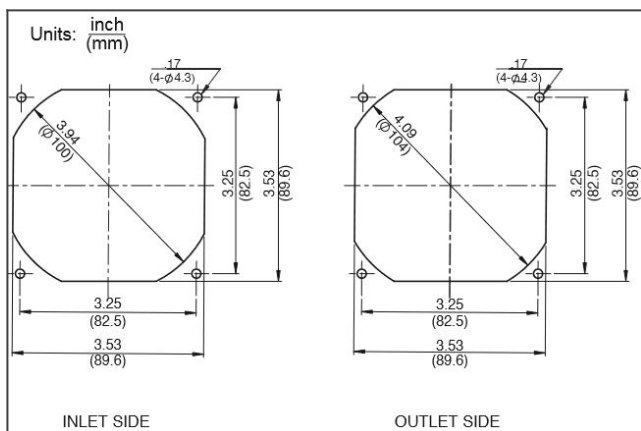
09225SS characteristic curve



09225SS product drawing



09225SS panel cut out



Detailed Specifications

DC Fans

Expected Life:	40 degree C 50,000 Hours (L10)
DC Fan:	Sleeve Bearing Fan
Nominal Voltage:	12[V]
Operating Voltage Lower:	6[V]
Operating Voltage Upper:	13.8[V]
Current:	0.14[A]
Input Power:	1.7[W]
Speed:	2750[min^{-1}]
Max. Air Flow:	1.28[m^3/min]
Max. Air Flow:	45.2[CFM]
Max. Static Pressure:	36.2[Pa]
Max. Static Pressure:	0.14[In H ₂ O]
Noise:	29[dB]
Mass:	102[g]
Fan Size:	92[mm]
Fan Width:	25[mm]
Life Expectancy L10:	40 degree C 50,000 Hours (L10)
Series:	09225SS

Mouser Electronics

Authorized Distributor

Click to View Pricing, Inventory, Delivery & Lifecycle Information:

[NMB Technologies:](#)

[09225SS-12M-AA-D0](#)