

General Specifications

Motor Protection: Auto Restart/Polarity Protection
 Insulation Resistance: 10M Ohm or over with a DC500V Megger
 Dielectric Withstand Voltage: AC 700V 1st
 Allowable Ambient Temperature Range:
 -10 degree C ~ +70 degree C (Operating)
 -40 degree C ~ +70 degree C (Storage)
 (non-condensing environment)

order part 05015SS-24M-WA-D0 Sleeve Bearing Fan DC Fans

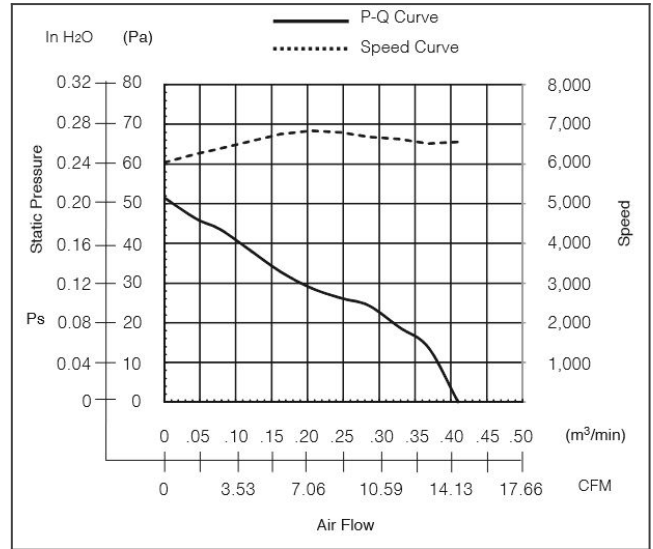


DC Fans

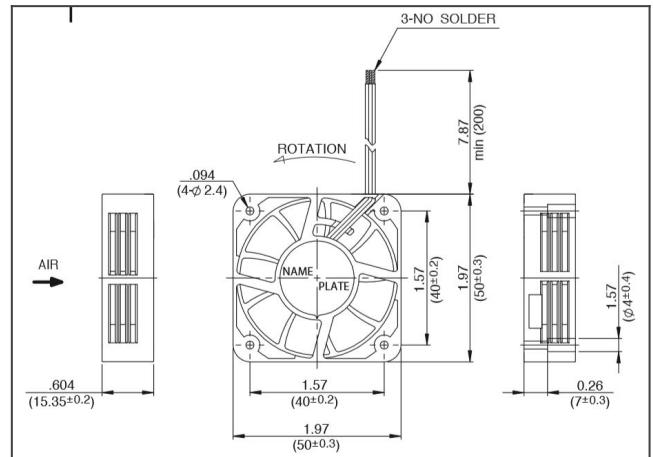
Material

Casing: Plastic (Black) UL94V-0
 Impeller: Plastic (Black) UL94V-0
 Lead Wire: UL1061, AWG26, +Red, -Black, (tach) White

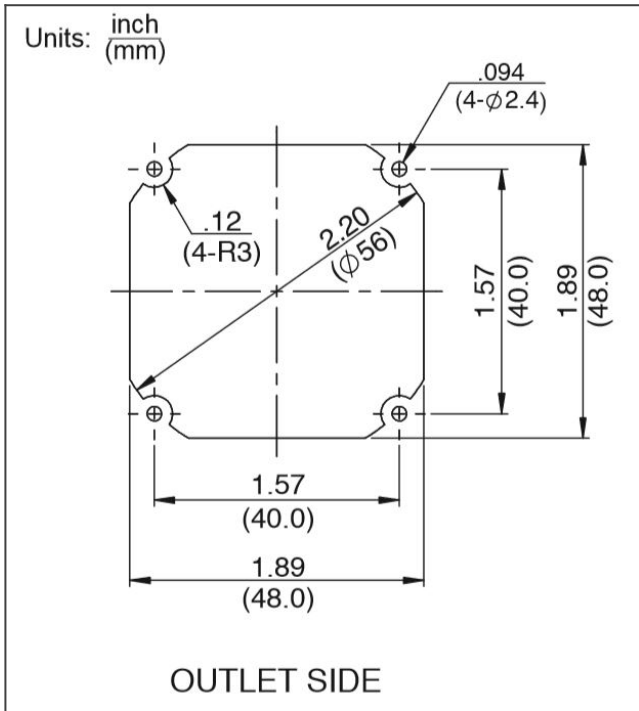
05015SS characteristic curve



05015SS product drawing



05015SS panel cut out



DC Fans

Detailed Specifications

DC Fans

Expected Life:	40 degree C 40,000 Hours (L10)
DC Fan:	Sleeve Bearing Fan
Nominal Voltage:	24[V]
Operating Voltage Lower:	12[V]
Operating Voltage Upper:	26.4[V]
Current:	0.04[A]
Input Power:	1[W]
Speed:	4550[min^{-1}]
Max. Air Flow:	0.28[m ³ /min]
Max. Air Flow:	9.9[CFM]
Max. Static Pressure:	25[Pa]
Max. Static Pressure:	0.1[In H ₂ O]
Noise:	25[dB]
Mass:	25[g]
Fan Size:	50[mm]
Fan Width:	15[mm]
Life Expectancy L10:	40 degree C 40,000 Hours (L10)
Series:	05015SS

Mouser Electronics

Authorized Distributor

Click to View Pricing, Inventory, Delivery & Lifecycle Information:

[NMB Technologies:](#)

[05015SS-24M-WA-D0](#)