

General Specifications

Motor Protection: Auto Restart/Polarity Protection
 Insulation Resistance: 10M Ohm or over with a DC500V Megger
 Dielectric Withstand Voltage: AC 700V 1st
 Allowable Ambient Temperature Range:
 -10 degree C ~ +70 degree C (Operating)
 -40 degree C ~ +70 degree C (Storage)
 (non-condensing environment)

Material

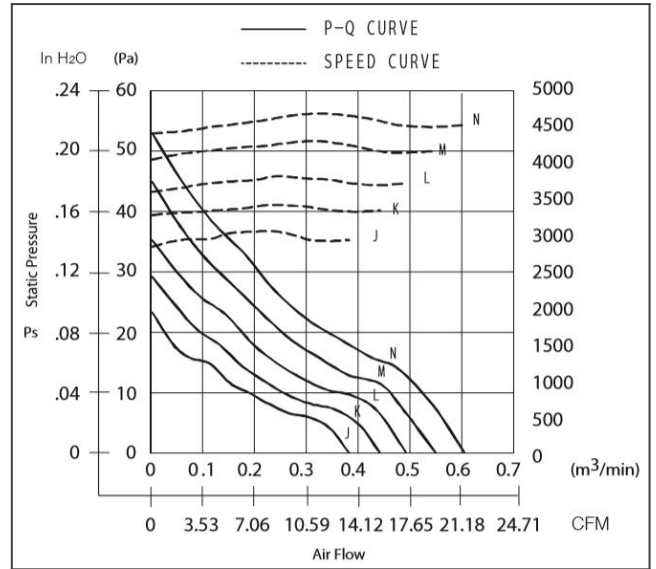
Casing: Plastic (Black) UL94V-0
 Impeller: Plastic (Black) UL94V-0
 Lead Wire: UL1007, AWG26, +Red, -Black, (tach) White

order part 06020SS-24L-AA-00 Sleeve Bearing Fan DC Fans

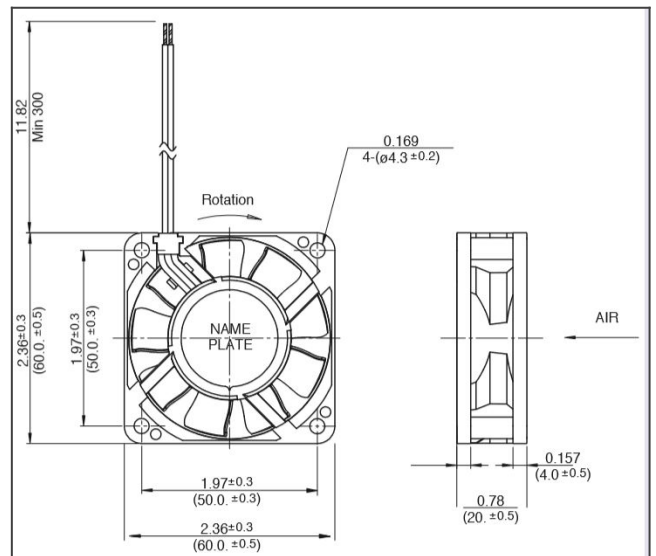


DC Fans

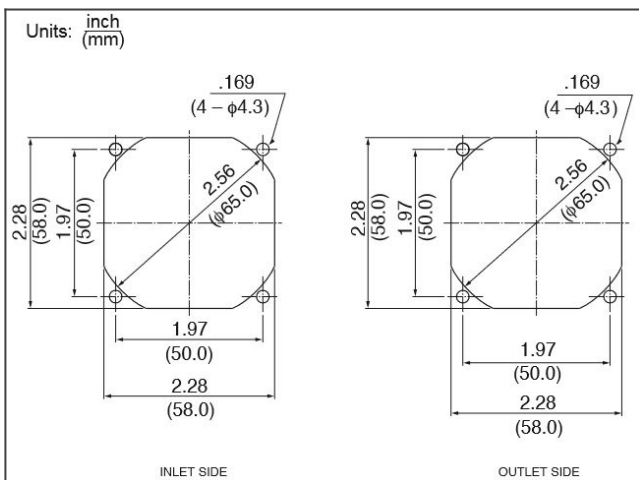
06020SS characteristic curve



06020SS product drawing



06020SS panel cut out



Detailed Specifications

DC Fans

Expected Life:	40 degree C 50,000 Hours (L10)
DC Fan:	Sleeve Bearing Fan
Nominal Voltage:	24[V]
Operating Voltage Lower:	12[V]
Operating Voltage Upper:	27.6[V]
Current:	0.05[A]
Input Power:	1.2[W]
Speed:	3600[min^{-1}]
Max. Air Flow:	0.47[m^3/min]
Max. Air Flow:	16.6[CFM]
Max. Static Pressure:	34.4[Pa]
Max. Static Pressure:	0.14[In H ₂ O]
Noise:	26[dB]
Mass:	56[g]
Fan Size:	60[mm]
Fan Width:	20[mm]
Life Expectancy L10:	40 degree C 50,000 Hours (L10)
Series:	06020SS

Mouser Electronics

Authorized Distributor

Click to View Pricing, Inventory, Delivery & Lifecycle Information:

[NMB Technologies:](#)

[06020SS-24L-AA-00](#)