

General Specifications

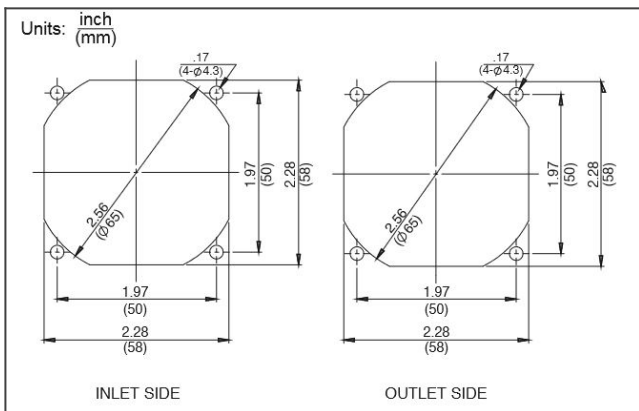
Motor Protection: Auto Restart/Polarity Protection
 Insulation Resistance: 10M Ohm or over with a DC500V Megger
 Dielectric Withstand Voltage: AC 700V 1st
 Allowable Ambient Temperature Range:
 K~M Class: -10 degree C ~ +70 degree C (Operating)
 N~ R Class: -10 degree C ~ +60 degree C (Operating)
 All Class: -40 degree C ~ +70 degree C (Storage)
 (non-condensing environment)

order part 06025SS-24R-AA-D0 Sleeve Bearing Fan DC Fans



DC Fans

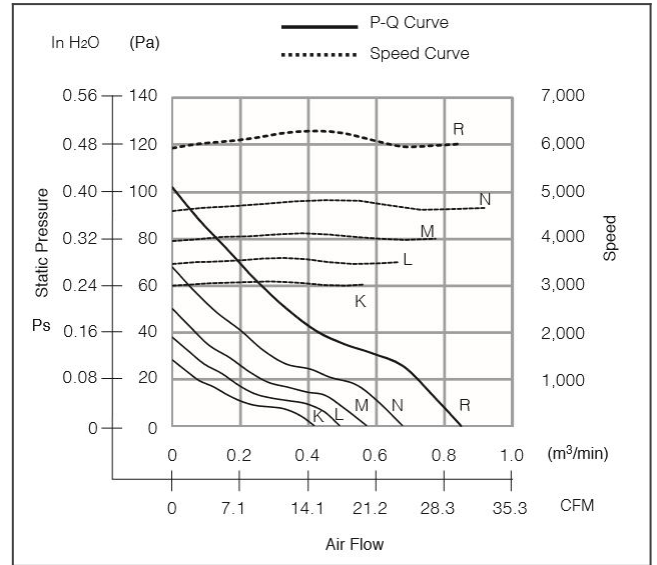
06025SS panel cut out



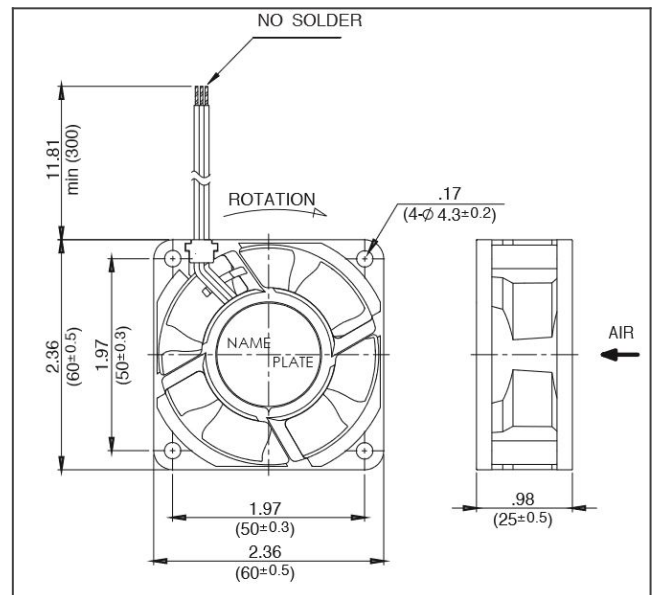
Material

Casing: Plastic (Black) UL94V-0
 Impeller: Plastic (Black) UL94V-0
 Lead Wire: UL1007, AWG26, +Red, -Black, (tach) White

06025SS characteristic curve



06025SS product drawing



Detailed Specifications

DC Fans

| | |
|---------------------------------|---------------------------------|
| Expected Life: | 40 degree C 50,000 Hours (L10) |
| DC Fan: | Sleeve Bearing Fan |
| Nominal Voltage: | 24[V] |
| Operating Voltage Lower: | 10[V] |
| Operating Voltage Upper: | 26.4[V] |
| Current: | 0.15[A] |
| Input Power: | 3.6[W] |
| Speed: | 6000[min^{-1}] |
| Max. Air Flow: | 0.85[m^3/min] |
| Max. Air Flow: | 30[CFM] |
| Max. Static Pressure: | 101[Pa] |
| Max. Static Pressure: | 0.4[In H ₂ O] |
| Noise: | 38.5[dB] |
| Mass: | 65[g] |
| Fan Size: | 60[mm] |
| Fan Width: | 25[mm] |
| Life Expectancy L10: | 40 degree C 50,000 Hours (L10) |
| Series: | 06025SS |

Mouser Electronics

Authorized Distributor

Click to View Pricing, Inventory, Delivery & Lifecycle Information:

[NMB Technologies:](#)

[06025SS-24R-AA-D0](#)