

## General Specifications

Motor Protection: Auto Restart / Polarity Protection  
 Insulation Resistance: 10M Ohm or over with a DC500V Megger  
 Dielectric Withstand Voltage: AC 700V 1st  
 Allowable Ambient Temperature Range:  
 -10 degree C ~ +70 degree C (Operating)  
 -40 degree C ~ +70 degree C (Storage)  
 (non-condensing environment)

## Material

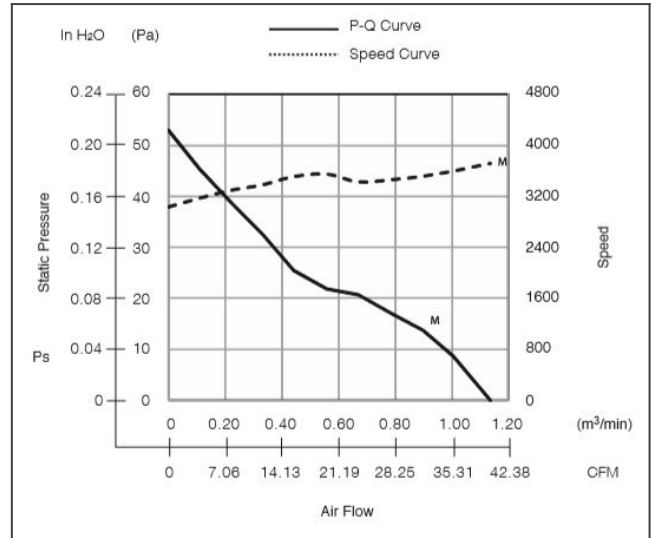
Casing: Plastic (Black) UL94V-0  
 Impeller: Plastic (Black) UL94V-0  
 Lead Wire: UL1007, AWG26, +Red, -Black, (tach) White

**order part 08020SS-24L-AA-00 Sleeve Bearing Fan DC Fans**

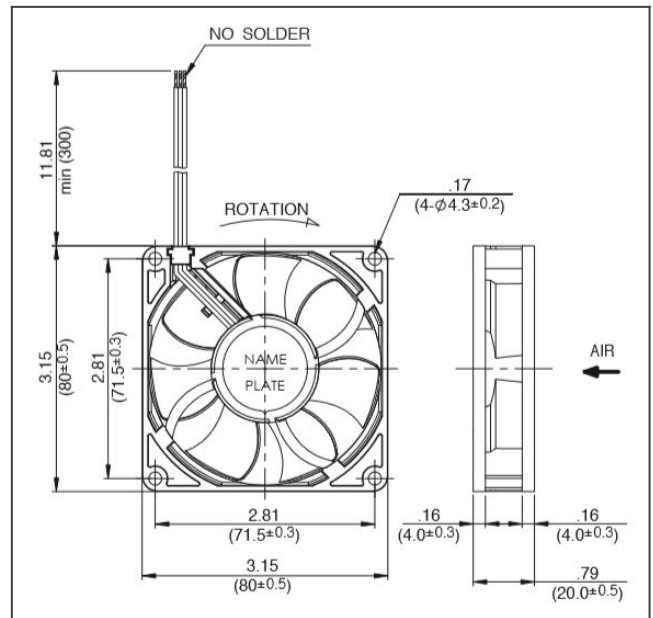


DC Fans

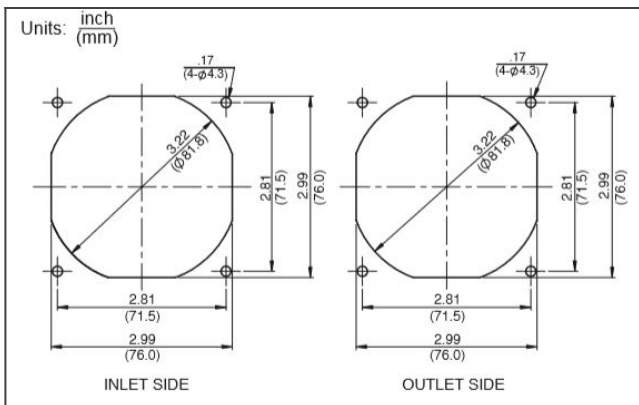
### 08020SS characteristic curve



### 08020SS product drawing



### 08020SS panel cut out



## Detailed Specifications

DC Fans

<b>Expected Life:</b>	40 degree C 50,000 Hours (L10)
<b>DC Fan:</b>	Sleeve Bearing Fan
<b>Nominal Voltage:</b>	24[V]
<b>Operating Voltage Lower:</b>	12[V]
<b>Operating Voltage Upper:</b>	27.6[V]
<b>Current:</b>	0.07[A]
<b>Input Power:</b>	1.7[W]
<b>Speed:</b>	3300[ $\text{min}^{-1}$ ]
<b>Max. Air Flow:</b>	1.02[ $\text{m}^3/\text{min}$ ]
<b>Max. Air Flow:</b>	36.1[CFM]
<b>Max. Static Pressure:</b>	35[Pa]
<b>Max. Static Pressure:</b>	0.14[In H <sub>2</sub> O]
<b>Noise:</b>	34[dB]
<b>Mass:</b>	75[g]
<b>Fan Size:</b>	80[mm]
<b>Fan Width:</b>	20[mm]
<b>Life Expectancy L10:</b>	40 degree C 50,000 Hours (L10)
<b>Series:</b>	08020SS

# Mouser Electronics

Authorized Distributor

Click to View Pricing, Inventory, Delivery & Lifecycle Information:

[NMB Technologies:](#)

[08020SS-24L-AA-00](#)