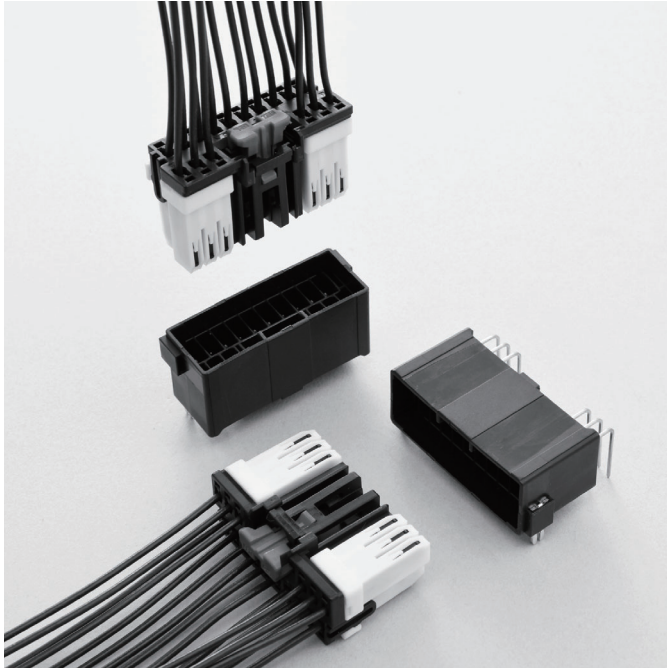


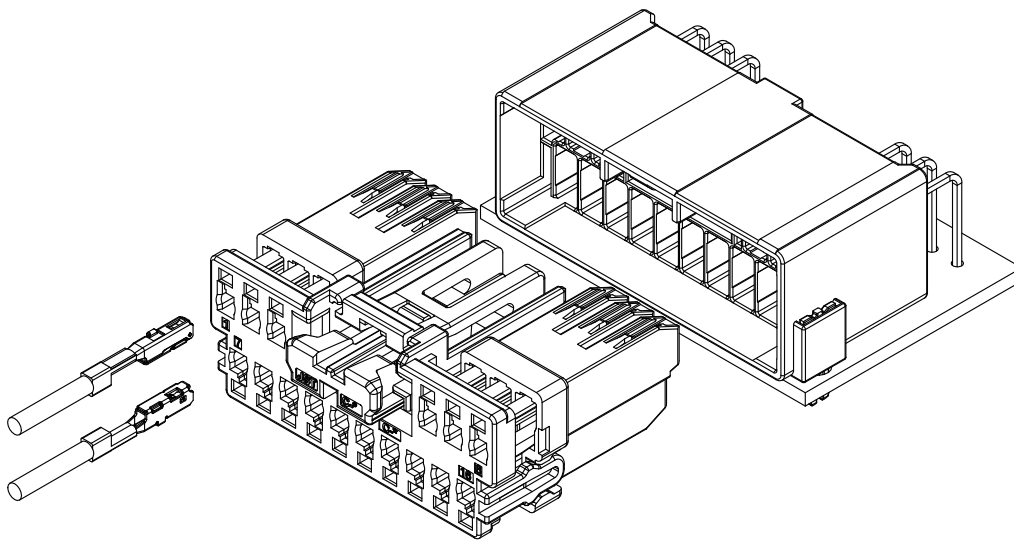
TLDR CONNECTOR *Board-to-wire*



0.64 low profile automotive connectors for High voltage and low current applications

Features

- High voltage, low current
- Terminal Secondary Lock and CPA function
- Individual Chamber
- Low profile

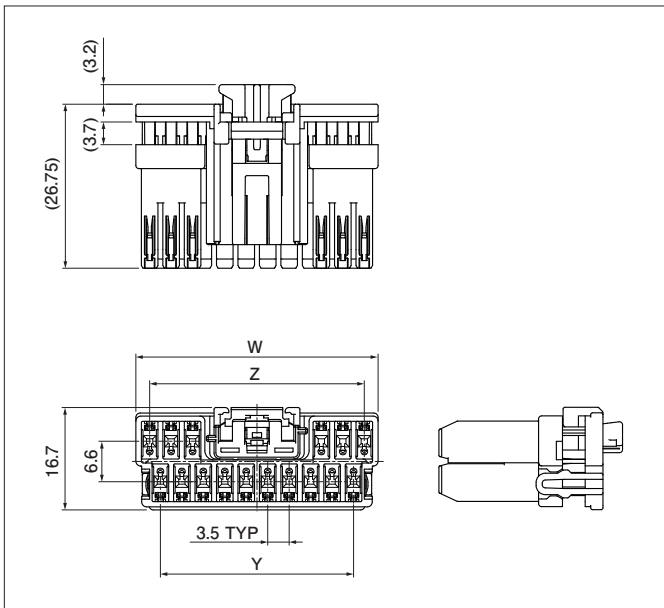


Specifications

- Current rating: 5.0 A DC max.
- Voltage rating: 600 V max.
- Temperature range: -40°C to +125°C
(including temperature rise in applying electrical current)
- Contact resistance: Initial value/ 20 mΩ max.
After environmental tests/ 20 mΩ max.
- Applicable wire: ISO6722-1
0.35 mm² to 0.5 mm² (AWG #22 to #20)

* Compliant with ELV/RoHS2.
* Contact JST for details.

Female connector



| No. of circuits | Model No. | Dimensions (mm) | | | Color | | | Q'ty /box |
|-----------------|---------------|-----------------|------|------|---------|--------|-----|-----------|
| | | W | Y | Z | Shroud | TLC | CPA | |
| 12 | TLDRPB-12-2ED | 32.5 | 24.5 | 28.0 | Orange | Orange | Red | 1,200 |
| 16 | TLDRPB-16-2AK | 39.5 | 31.5 | 35.0 | Natural | Black | | 1,000 |
| | TLDRPB-16-2BH | | | | | Gray | | |

Material and Finish

Shroud, Terminal Lock Carrier (TLC) and CPA: Glass-filled PBT

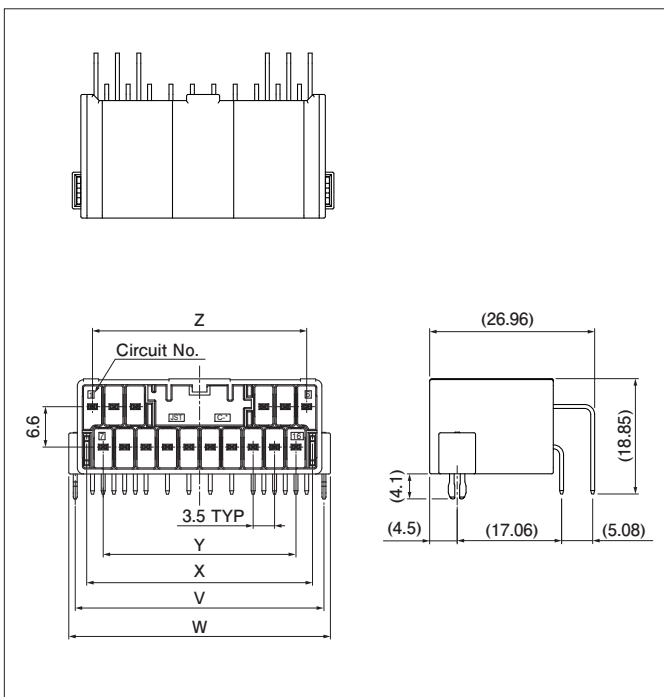
| Female terminal | Applicable wire range | | |
|-------------------------|------------------------------|-----------------|----------------------|
| | Conductor (mm ²) | Conductor (AWG) | Insulation O.D. (mm) |
| 2035334-3 or equivalent | 0.35 to 0.5 | 22 to 20 | 1.5 to 1.85 |

Material and Finish

Copper alloy, tin-plated (Refer to TE connectivity for details.)

Note: Contact JST for other circuits.

Male connector (Side entry type)



| No. of circuits | Model No. | Dimensions (mm) | | | | | Housing Color | Q'ty /box |
|-----------------|---------------|-----------------|-------|------|------|------|---------------|-----------|
| | | V | W | X | Y | Z | | |
| 12 | S12B-TLDR-2ED | 33.64 | 35.75 | 29.9 | 24.5 | 28.0 | Orange | 768 |
| 16 | S16B-TLDR-2AK | 40.64 | 42.75 | 36.9 | 31.5 | 35.0 | Black | 576 |
| | S16B-TLDR-2BH | | | | | | Gray | |

Material and Finish

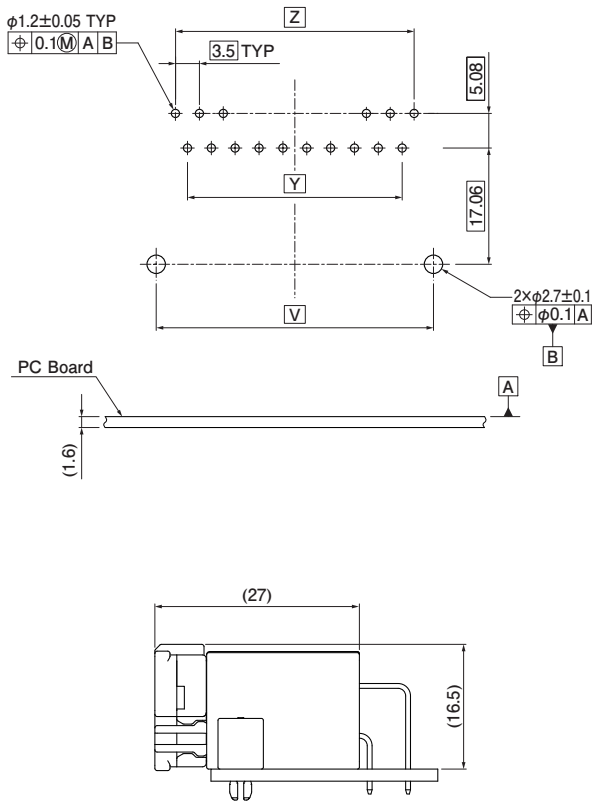
Housing : Glass-filled PBT

Pin: Brass, tin-plated

Reinforcement: Phospor bronze, tin-plated

TLDR CONNECTOR

PC board layout and Assembly layout (Side entry type)



| No. of circuits | Dimensions (mm) | | |
|-----------------|-----------------|------|------|
| | V | Y | Z |
| 12 | 33.64 | 24.5 | 28.0 |
| 16 | 40.64 | 31.5 | 35.0 |

Mouser Electronics

Authorized Distributor

Click to View Pricing, Inventory, Delivery & Lifecycle Information:

[JST:](#)

[S24B-TLDR-2AK](#) [B08B-TLDR-2AK](#) [B12B-TLDR-2AD](#) [S24B-TLDR-2AD](#) [S12B-TLDR-2AK](#) [TLDRPB-24-2AK](#)
[TLDRPB-20-2AK](#) [B24B-TLDR-2AD](#) [S16B-TLDR-2AD](#) [TLDRPB-12-2AD](#) [S20B-TLDR-2AD](#) [B12B-TLDR-2AK](#) [S20B-](#)
[TLDR-2AK](#) [S12B-TLDR-2AD](#) [B16B-TLDR-2BH](#) [B12B-TLDR-2ED](#) [B16B-TLDR-2AD](#) [B24B-TLDR-2AK](#) [B20B-TLDR-](#)
[2AK](#) [S08B-TLDR-2AD](#) [TLDRPB-24-2AD](#) [TLDRPB-20-2AD](#) [TLDRPB-08-2AK](#) [TLDRPB-12-2AK](#) [TLDRPB-16-2AD](#)
[B08B-TLDR-2AD](#) [B20B-TLDR-2AD](#) [B16B-TLDR-2AK](#) [S08B-TLDR-2AK](#) [TLDRPB-08-2AD](#)