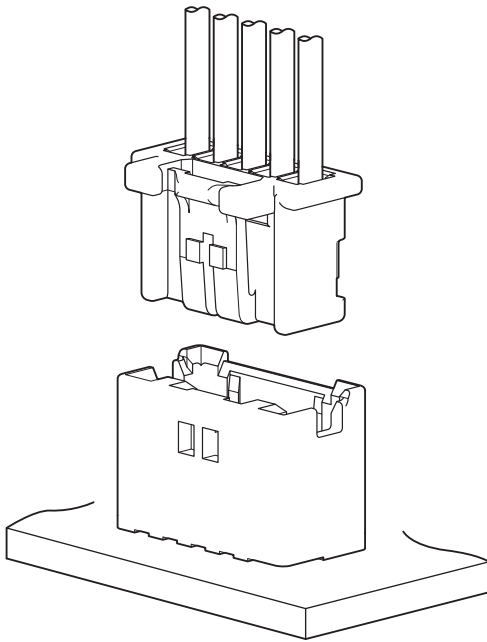


PLI CONNECTOR

2.0 mm pitch/Wire-to-Board connectors/Crimp style and Mating style



This is a 2.0 mm pitch wire-to-board connector with a mechanism to prevent incomplete mating, and designed as low profile type connector with mounting height of 9.6 mm.

- Inertia lock mechanism
- Secure lock mechanism
- Low profile (Mounting height is 9.6 mm.)

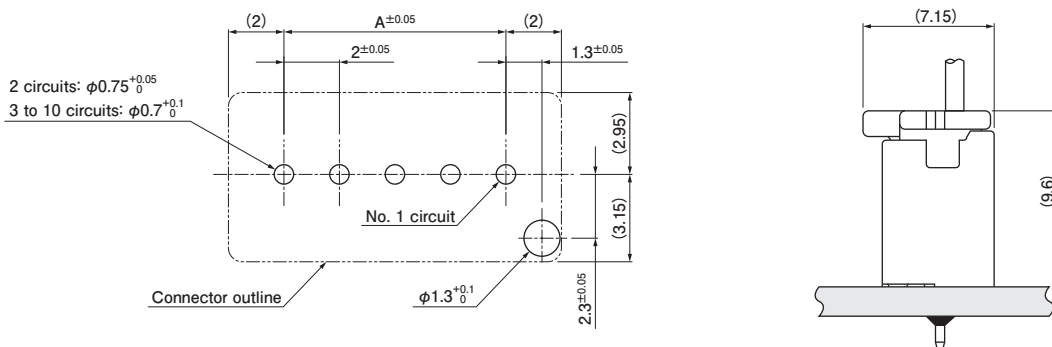
Standards

☑ :Recognized E 60389

Specifications

- Current rating: 3 A AC/DC (AWG #22)
 - Voltage rating: 100 V AC/DC
 - Temperature range: -25°C to +85°C
(including temperature rise in applying electrical current)
 - Contact resistance:
 - Initial value/ 10 mΩ max.
 - After environmental tests/ 20 mΩ max.
 - Insulation resistance: 1,000 MΩ min.
 - Withstanding voltage:
 - There shall be no breakdown or flashover while applying 800 VAC for one minute.
 - Applicable wire range:
 - Conductor size/ AWG #28 to AWG #22
 - Insulation O.D. / ϕ 0.8 mm to ϕ 1.5 mm
 - Applicable PC board thickness: 1.6 mm
- * In using the products, refer to "Handling Precautions for Terminals and Connectors" described on our website (Technical documents of Product information page).
- * RoHS2 compliance
- * Dimensional unit: mm
- * Contact JST for details.

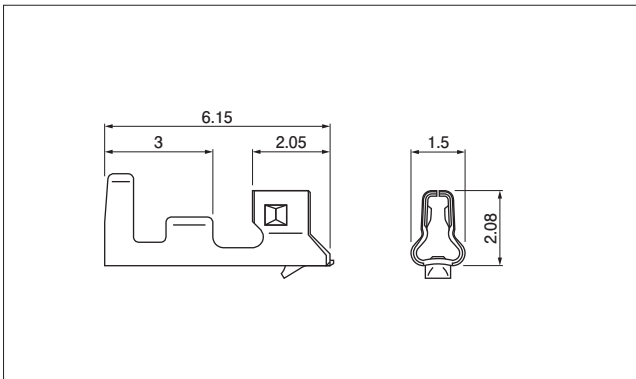
PC board layout and Assembly layout



- Note: 1. The figure of PC board layout is the figure viewed from the connector mounting side.
2. Dimension A: See "Header" section on page 3.
3. Tolerance for the PCB hole pitch shall be ± 0.05 , and shall not accumulate more than ± 0.05 .
4. Hole dimensions differ according to the type of PC board and piercing method.
The above dimensions are reference values. Please contact JST for details.

PLI CONNECTOR

Contact



Model No.	Applicable wire range		Q'ty/ reel
	Conductor size AWG (mm ²)	Insulation O.D. (mm)	
SPLI-002T-P0.5	#28 to #24 (0.08 to 0.22)	0.8 to 1.5	10,000
SPLI-001T-P0.5	#26 to #22 (0.13 to 0.33)	1.0 to 1.5	10,000

Material and Surface finish, etc.

Copper alloy, tin-plated

Crimping machine

Contact	Crimping machine	Applicator	Crimp applicator with dies
SPLI-002T-P0.5	AP-K2N	MKS-L	APLMK SPLI002-05
SPLI-001T-P0.5			APLMK SPLI001-05

Note: Contact JST for fully automatic crimping applicator.

Socket housing

<2 circuits>

<8 circuits>

<3 circuits>

<9, 10 circuits>

<4, 6 circuits>

<5, 7 circuits>

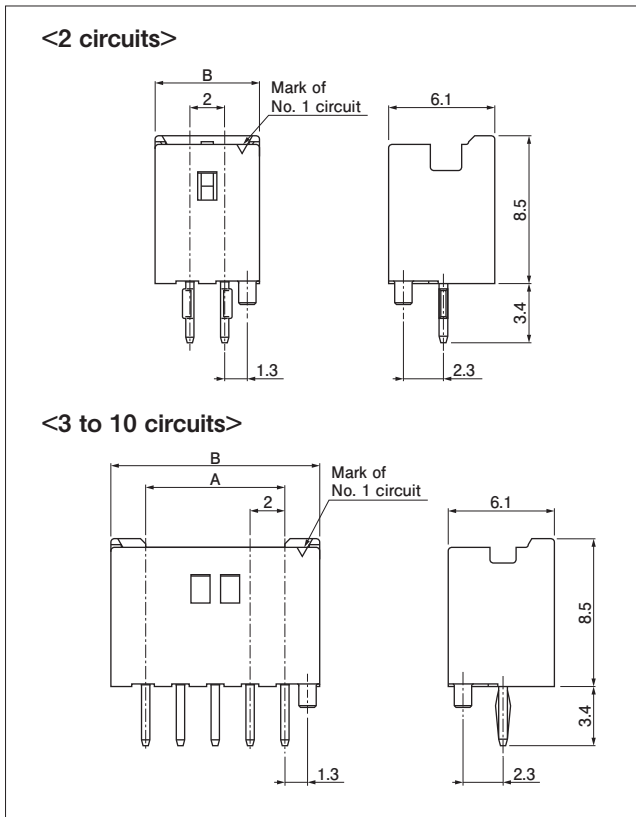
No. of circuits	Model No.	Dimensions (mm)		Q'ty/box
		A	B	
2	PLIP-02V-S	—	5.7	1,000
3	PLIP-03V-S	4.0	7.7	1,000
4	PLIP-04V-S	6.0	9.7	1,000
5	PLIP-05V-S	8.0	11.7	1,000
6	PLIP-06V-S	10.0	13.7	1,000
7	PLIP-07V-S	12.0	15.7	1,000
8	PLIP-08V-S	14.0	17.7	500
9	PLIP-09V-S	16.0	19.7	500
10	PLIP-10V-S	18.0	21.7	500

Material and Surface finish, etc.

PBT (Glass-filled), UL94V-0, natural

PLI CONNECTOR

Header



No. of circuits	Model No.	Dimensions (mm)		Q'ty/box
		A	B	
2	B02B-PLISK-1	—	6.0	1,000
3	B03B-PLISK-1	4.0	8.0	1,000
4	B04B-PLISK-1	6.0	10.0	500
5	B05B-PLISK-1	8.0	12.0	500
6	B06B-PLISK-1	10.0	14.0	400
7	B07B-PLISK-1	12.0	16.0	350
8	B08B-PLISK-1	14.0	18.0	300
9	B09B-PLISK-1	16.0	20.0	250
10	B10B-PLISK-1	18.0	22.0	250

Material and Surface finish, etc.

Post: Copper alloy, copper-undercoated, tin-plated
Wafer: PA 66 (Glass-filled), UL94V-0, natural

Note: This product displays (LF)(SN) on a label.

Model number allocation

Contact

S PLI - 002 T - P 0.5

Supply form: Strip form

Series name

Applicable wire range: 002...AWG #28 to AWG #24
001...AWG #26 to AWG #22

Surface finish: Tin-plated

Material: Copper alloy

Applicable post size

Socket housing

PLI P - 02 V - S

Series name

Type: Socket

No. of circuits

Flammability: UL94V-0

Color: S...Natural, R...Red, E...Blue

Header

B 02 B - PLI S K - 1

Header type: Top entry type

No. of circuits

Assembly product

Series name

Color: S...Natural, R...Red, E...Blue

Clinched (Kinked)/ Not clinched: Clinched

Presence of boss: With boss