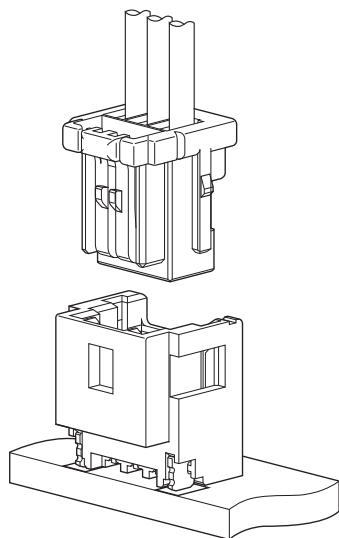


AP5H CONNECTOR

1.0 mm pitch/Wire-to-Board connectors/Crimp style and Mating style



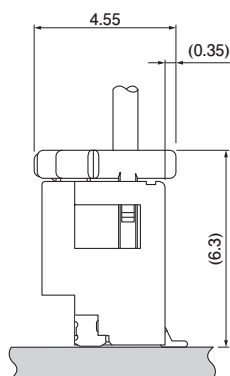
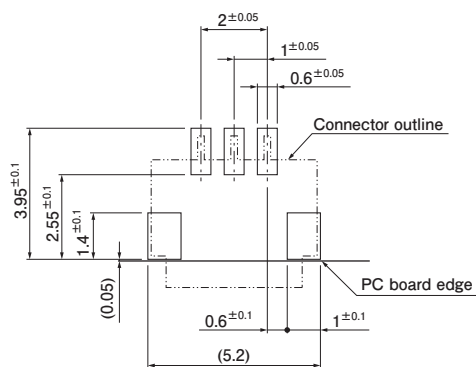
While realizing the space saving, this is the connector having the secure lock mechanism. By this, it is prevented the housing coming off by handling the wires or adding the vibration. This connector is very small, and it is possible to suppress the inverted insertion and achieves a clear insertion feeling.

- Space saving design
- Secure lock mechanism
- Mechanism for preventing the inverted insertion

Specifications

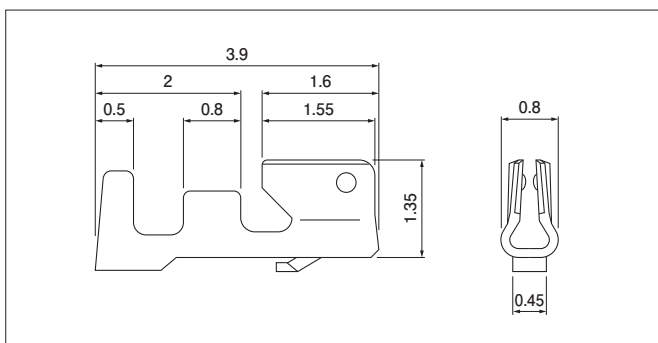
- Current rating: 1.0 A AC/DC (AWG #28)
 - Voltage rating: 50 V AC/DC
 - Temperature range: -25°C to +85°C
(including temperature rise in applying electrical current)
 - Contact resistance: Initial value/ 20 mΩ max.
After environmental tests/ 40 mΩ max.
 - Insulation resistance: 100 MΩ min.
 - Withstanding voltage:
There shall be no breakdown or flashover while applying 500 VAC for one minute.
 - Applicable wire range: Conductor size/ AWG #32 to AWG #28
Insulation O.D./ φ0.4 mm to φ0.8 mm
- * Please refer to the "Handling Precautions for Terminals and Connectors" on our website (listed in the "Technical Documents" column on the Product Information page) before use.
- * RoHS2 compliance
- * Dimensional unit: mm
- * Contact JST for details.

PC board layout and Assembly layout



Note: 1. The above figure shown is viewed from the connector mounting surface.
2. Tolerance for the PCB pattern pitch shall be ± 0.05 and shall not accumulate.
The above dimensions are reference values. Please contact JST for details.

Contact



Model No.	Applicable wire range		Insulation O.D. (mm)	Q'ty/reel
	mm ²	AWG #		
SSH-003T-P0.2-H	0.032 to 0.08	32 to 28	0.4 to 0.8	23,000

Material and Surface finish, etc.

Phosphor bronze, tin-plated

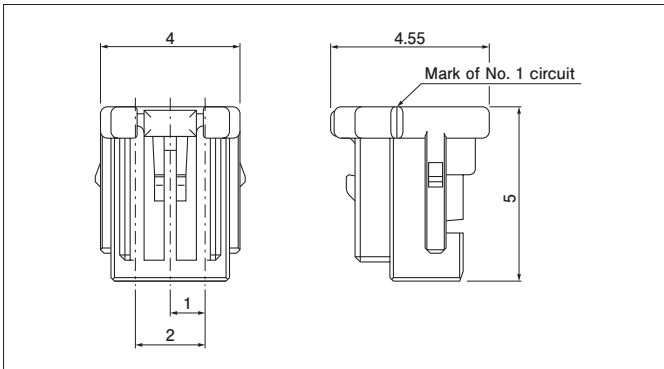
Crimping machine

Contact	Crimping machine	Applicator	Crimp applicator with dies
SSH-003T-P0.2-H	AP-K2N	MKS-L-10-3	APLMK SSH/L003-02

Note: Contact JST for fully automatic crimping applicator.

APSH CONNECTOR

Housing

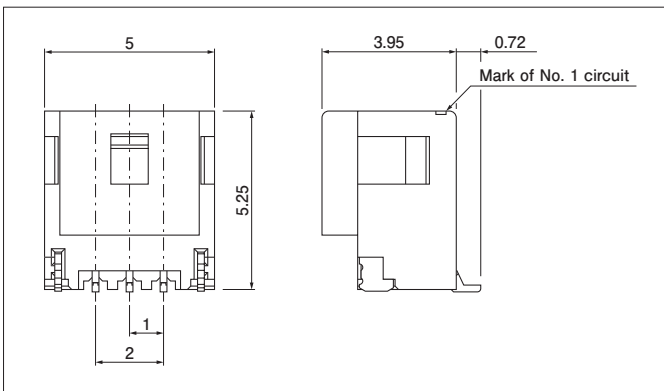


No. of circuits	Model No.	Q'ty/box
3	APSHR-03V-S	1,000

Material and Surface finish, etc.

Glass-filled PBT, UL94V-0, natural

Header



No. of circuits	Model No.	Q'ty/reel
3	BM03B-APSHSS-ETFT	1,800

Material and Surface finish, etc.

Contact: Copper alloy, copper-undercoated, tin-plated
 Wafer: PA 9T, UL94V-0, natural
 Solder tab: Copper-alloy, copper-undercoated, tin-plated

- Note 1. This product displays (LF)(SN) on a label.
 2. This product comes on embossed tape and reel packaging, including suction tape.

Model number allocation

Contact

S SH - 003 T - P 0.2 - H	
Form: S...	Strip form
Series name	
Applicable wire range: AWG #32 to AWG #28	
Surface finish: T...	Tin-plated
Material: P...	Phosphor bronze
Terminal size	
Type name: For single type socket	

Housing

APSH R - 03 V - S	
Series name	
Part name: Receptacle	
No. of circuits: 3	
Flammability: V...	UL94V-0
Color: S...	Natural, K...Black, E...Blue, TR...Tomato red, L...Lemon yellow

Header

BM 03 B- APSH S S - ETF T	
PCB mounting style:	
BM...	SMT Top entry type
No. of circuits: 3	
Part name: Header	
Series name	
Color: S...	Natural, K...Black, E...Blue, TR...Tomato red, L...Lemon yellow
Sub model number	
Packaging style: E...	Antistatic embossed taping, TF...Embossed-taping
Suction tape: T...	Yes