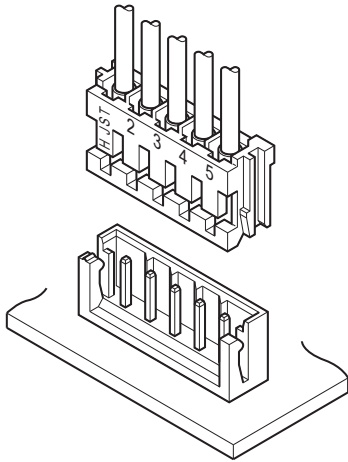


EH CONNECTOR

2.5 mm pitch/Wire-to-Board connectors/Crimp style and Mating style



This is a 2.5 mm pitch low-profile, wire-to-board connector that meets the needs of high density PCB requirements and provides design flexibility in all sorts of electronic devices. The top entry type is 3.8 mm in thickness and 8.1 mm in height.

The low profile design helps to save space. The contact design provides a high-reliability connection. The EH series also offers excellent harness workability and is easy to mate and unmate.

- Low-profile, space-saving design
- High-reliability contacts
- Shaped to prevent misinsertion
- Excellent workability in the wire harness assembly and mating process.

■ Specifications

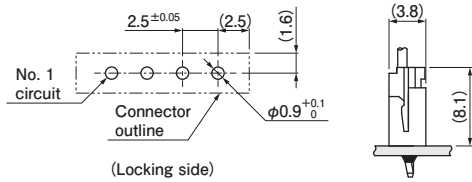
- Current rating: 3 A AC/DC (AWG #22)
 - Voltage rating: 250 V AC/DC
 - Temperature range: -25°C to +85°C
(including temperature rise in applying electrical current)
 - Contact resistance:
 - Initial value/ 10 mΩ max.
 - After environmental tests/ 20 mΩ max.
 - Insulation resistance: 1,000 MΩ min.
 - Withstanding voltage:
 - There shall be no breakdown or flashover while applying 800 VAC for one minute.
 - Applicable wire range:
 - Conductor size/ AWG #32 to AWG #22
 - Insulation O.D. / ϕ 0.5 mm to ϕ 1.9 mm
 - Applicable PC board thickness: 0.8 mm to 1.6 mm
- * Please refer to the "Handling Precautions for Terminals and Connectors" on our website (listed in the "Technical Documents" column on the Product Information page) before use.
- * RoHS2 compliance
- * Dimensional unit: mm
- * Contact JST for details.

■ Standards

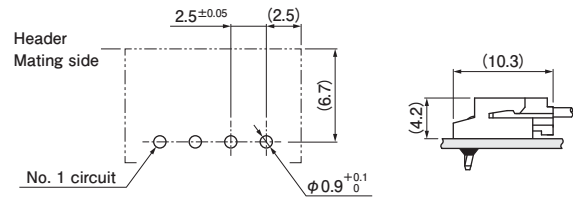
- For information on overseas standard registrations, please refer to the "List of Registered Overseas Standards" on our website (listed in the "Technical Documents" column on the Product Information page).
- * Specifications registered to overseas standards may differ from the general specifications listed above.

PC board layout and Assembly layout

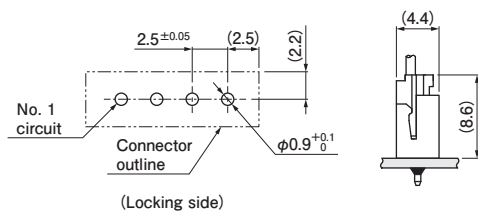
Top entry type



Side entry type

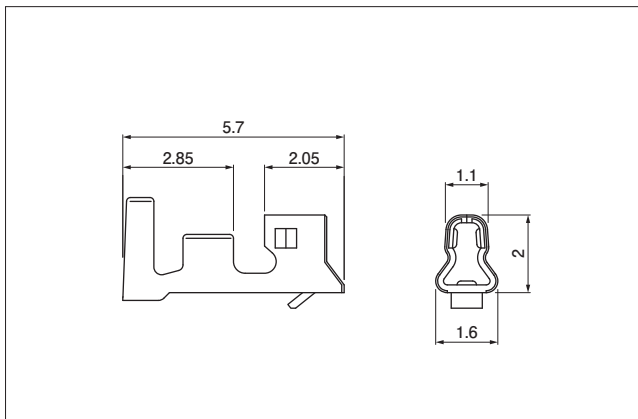


Radial tapping type



- Note: 1. The PC board layout figure shown is viewed from the connector mounting surface.
 2. Tolerance for the PCB hole pitch shall be ± 0.05 and shall not accumulate.
 3. Hole dimensions differ depending on the type of PCB and PCB drilling method.
 When using PCB made of hard material composed of fiberglass cloth, please consider a larger hole diameter.
 The above dimensions are reference values. Please contact JST for details.

Contact



Model No.	Applicable wire range		Q'ty/ reel
	Conductor size AWG (mm ²)	Insulation O.D. (mm)	
SEH-001T-P0.6	#30 to #22 (0.05 to 0.33)	1.0 to 1.9	9,000
SEH-003T-P0.6L ^{Note2)}	#32 to #28 (0.032 to 0.08)	0.5 to 1.1	10,000
SEH-002T-P0.6L ^{Note2)}	#30 to #26 (0.05 to 0.13)	0.9 to 1.3	9,000
SEH-001T-P0.6L ^{Note2)}	#26 to #22 (0.13 to 0.33)	0.9 to 1.9	9,000

Material and Surface finish, etc.

Phosphor bronze, tin-plated

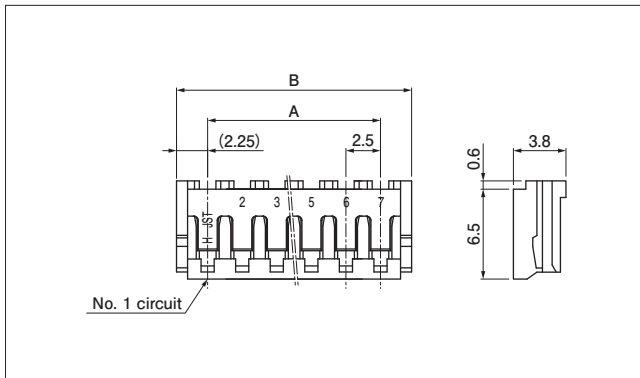
- Note: 1. Contact JST for gold-plated products.
 2. SEH-001T-P0.6L is a low-insertion force type contact for easier insertion/withdrawal operation. Please take the application and environment into consideration as the low-insertion force type contact is less resistant to vibration. Please note that the crimp height is different from the standard EH contact. Please contact JST for details.

Crimping machine

Contact	Crimping machine	Applicator	Crimp applicator with dies
SEH-001T-P0.6	AP-K2N	MKS-L	APLMK SEH001-06
SEH-003T-P0.6L		MKS-L-10	APLMK SEH003-06L
SEH-002T-P0.6L		MKS-L	APLMK SEH002-06L
SEH-001T-P0.6L		MKS-L	APLMK SEH001-06L

Note: Contact JST for fully automatic crimping applicator.

Housing



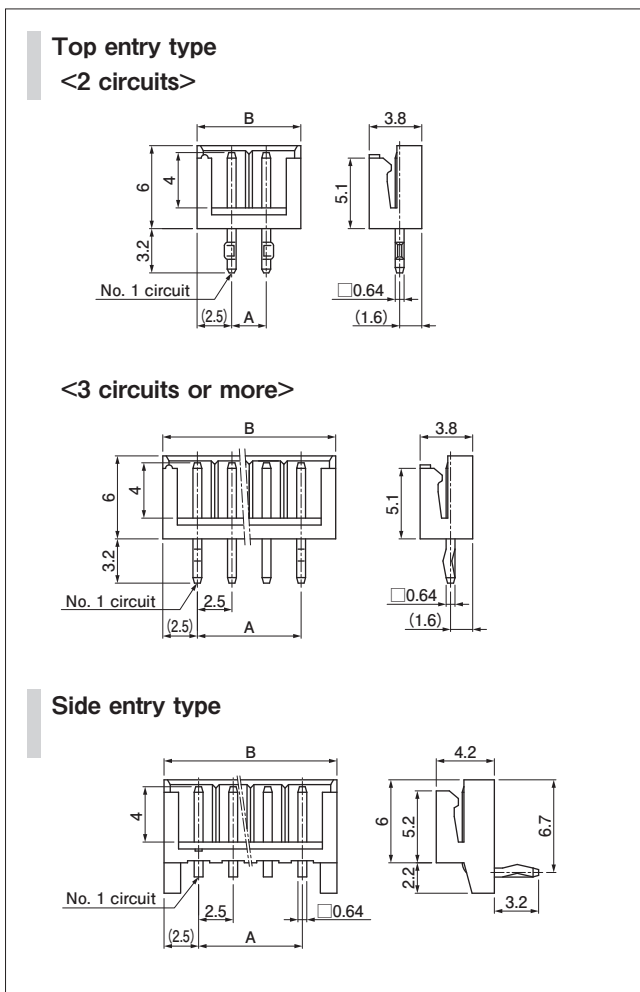
No. of circuits	Model No.	Dimensions (mm)		Q'ty/bag
		A	B	
2	EHR-2	2.5	7.0	2,000
3	EHR-3	5.0	9.5	2,000
4	EHR-4	7.5	12.0	2,000
5	EHR-5	10.0	14.5	2,000
6	EHR-6	12.5	17.0	2,000
7	EHR-7	15.0	19.5	1,000
8	EHR-8	17.5	22.0	1,000
9	EHR-9	20.0	24.5	1,000
10	EHR-10	22.5	27.0	1,000
11	EHR-11	25.0	29.5	1,000
12	EHR-12	27.5	32.0	1,000
13	EHR-13	30.0	34.5	1,000
14	EHR-14	32.5	37.0	1,000
15	EHR-15	35.0	39.5	1,000

Material and Surface finish, etc.

PA 66, natural (white)

Note: For flame retardant grade of resin material used, please refer to the "List of Registered Overseas Standards" on our website (listed in the "Technical Documents" column on the Product Information page).

Header



No. of circuits	Model No.		Dimensions (mm)		Q'ty/box	
	Top entry type	Side entry type	A	B	Top entry type	Side entry type
2	B2B-EH	S2B-EH	2.5	7.5	1,000	1,000
3	B3B-EH	S3B-EH	5.0	10.0	1,000	1,000
4	B4B-EH	S4B-EH	7.5	12.5	1,000	1,000
5	B5B-EH	S5B-EH	10.0	15.0	1,000	1,000
6	B6B-EH	S6B-EH	12.5	17.5	1,000	500
7	B7B-EH	S7B-EH	15.0	20.0	1,000	500
8	B8B-EH	S8B-EH	17.5	22.5	500	500
9	B9B-EH	S9B-EH	20.0	25.0	500	500
10	B10B-EH	S10B-EH	22.5	27.5	500	500
11	B11B-EH	S11B-EH	25.0	30.0	500	250
12	B12B-EH	S12B-EH	27.5	32.5	500	250
13	B13B-EH	S13B-EH	30.0	35.0	250	250
14	B14B-EH	S14B-EH	32.5	37.5	250	250
15	B15B-EH	S15B-EH	35.0	40.0	250	250

Material and Surface finish, etc.

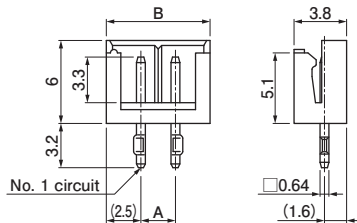
Post: Brass, copper-undercoated, tin-plated
Wafer: PA 66, natural (white)

Note: 1. This product displays (LF)(SN) on a label.
2. For flame retardant grade of resin material used, please refer to the "List of Registered Overseas Standards" on our website (listed in the "Technical Documents" column on the Product Information page).

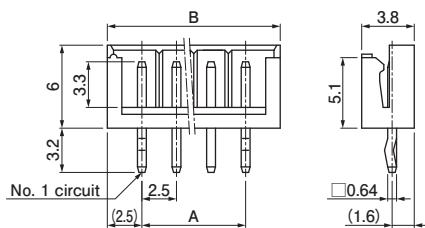
Header/ Type A

Top entry type

<2 circuits>



<3 circuits or more>



No. of circuits	Model No.	Dimensions (mm)		Q'ty/box
		A	B	
2	B2B-EH-A	2.5	7.5	1,000
3	B3B-EH-A	5.0	10.0	1,000
4	B4B-EH-A	7.5	12.5	1,000
5	B5B-EH-A	10.0	15.0	1,000
6	B6B-EH-A	12.5	17.5	1,000
7	B7B-EH-A	15.0	20.0	1,000
8	B8B-EH-A	17.5	22.5	500
9	B9B-EH-A	20.0	25.0	500
10	B10B-EH-A	22.5	27.5	500
11	B11B-EH-A	25.0	30.0	500
12	B12B-EH-A	27.5	32.5	500
13	B13B-EH-A	30.0	35.0	250
14	B14B-EH-A	32.5	37.5	250
15	B15B-EH-A	35.0	40.0	250

Material and Surface finish, etc.

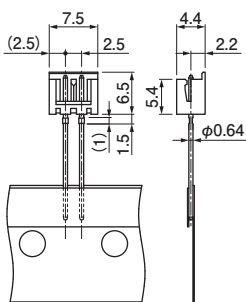
Post: Brass, copper-undercoated, tin-plated
Wafer: PA 66, natural (white)

- Note: 1. This product displays (LF)(SN) on a label.
2. The EH Type A header has a post length of 3.3 mm designed to improve mating workability.
3. For flame retardant grade of resin material used, please refer to the "List of Registered Overseas Standards" on our website (listed in the "Technical Documents" column on the Product Information page).

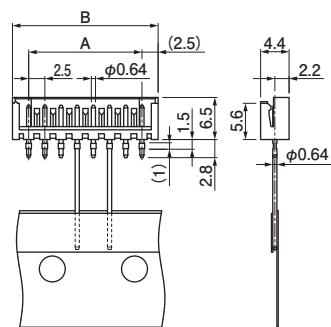
Header/ Radial taping type

TS type Header

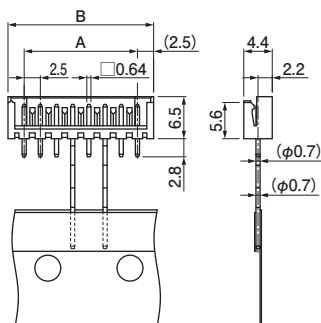
<2 circuits>



<3 to 8 circuits>



TV4 type Header



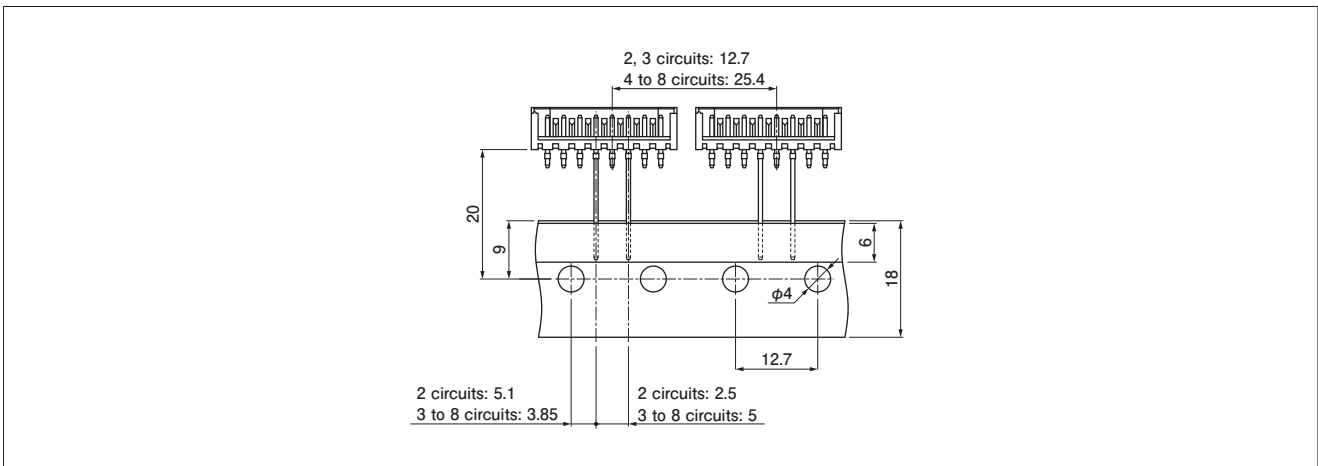
No. of circuits	Model No.		Dimensions (mm)		Q'ty/box
	TS type	TV4 type	A	B	
2	B2B-EH-TS	—	—	—	1,400
3	B3B-EH-TS	B3B-EH-TV4	5.0	10.0	1,400
4	B4B-EH-TS	B4B-EH-TV4	7.5	12.5	700
5	B5B-EH-TS	B5B-EH-TV4	10.0	15.0	700
6	B6B-EH-TS	B6B-EH-TV4	12.5	17.5	700
7	B7B-EH-TS	B7B-EH-TV4	15.0	20.0	700
8	B8B-EH-TS	B8B-EH-TV4	17.5	22.5	700

Material and Surface finish, etc.

Pin, Post: Brass, copper-undercoated, tin-plated
Wafer: PA 66, natural (white)

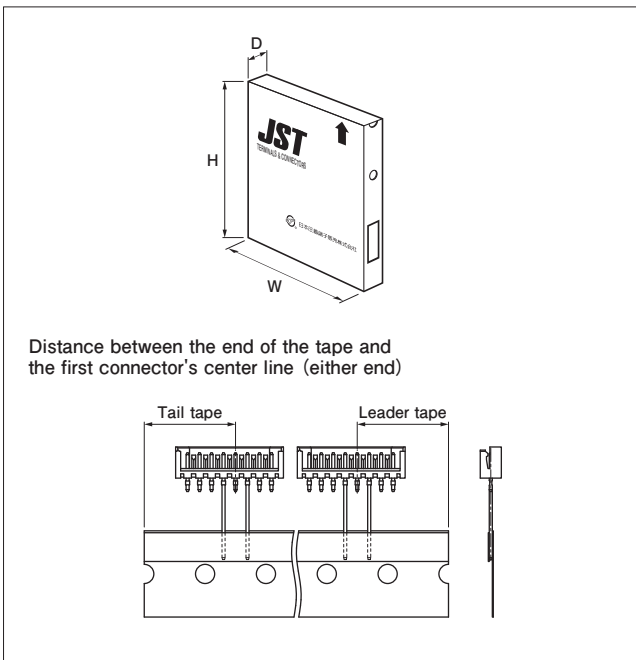
- Note: 1. This product displays (LF)(SN) on a label.
2. For flame retardant grade of resin material used, please refer to the "List of Registered Overseas Standards" on our website (listed in the "Technical Documents" column on the Product Information page).

Taping specifications



Note: Conforms to IEC 60286-2 (JIC C 0806-2) "Tape packaging of components with unidirectional leads on continuous tapes".

Packaging specifications



Packaging style		Flat pack (zigzag folded)
Distance between folds		24 index holes per fold (304.8 mm)
Box size		316 (W) × 45 (D) × 330 (H) mm
Distance between the end of the tape and the first connector's center line (either end)		19.05 mm
Quantity per package	2, 3 circuits	1,400 pcs./box
	4 to 8 circuits	700 pcs./box

Note: Products of different packaging specifications are also available. Contact JST for details.

Model number allocation

Contact

S EH - 001 T - P 0.6 ■

Supply form: Strip form

Series name

Applicable wire range:

Normal type
001...AWG #30 to AWG #22

Low insertion force type
003...AWG #32 to AWG #28
002...AWG #30 to AWG #26
001...AWG #26 to AWG #22

Surface finish: Tin-plated

Material: Phosphor bronze

Applicable post or pin size

Type: Blank...Normal type, L...Low insertion force type

Housing

EH R - 2 - ■

Series name

Type: Receptacle

No. of circuits

Color: Blank...Natural (White), K...Black, R...Red, E...Blue,
Y...Yellow, M...Green, O...Orange, N...Brown,
PL...Purple, PK...Pink, H...Gray

Header

B 2 B - EH - ■

Header type: B...Top entry type,
S...Side entry type

No. of circuits

Assembly product

Series name

Color: Blank...Natural (White), K...Black, R...Red, E...Blue,
Y...Yellow, M...Green, O...Orange, N...Brown,
P...Purple, PK...Pink, H...Gray, TR...Tomato red,
L...Lemon yellow, LE...Light blue

Header/ Type A

B 2 B - EH - A - ■

Header type: Top entry type

No. of circuits

Assembly product

Series name

Length of post on mating side of header: 3.3 mm

Color: Blank...Natural (White), K...Black, R...Red, E...Blue,
Y...Yellow, M...Green

Header/ Radial taping type

B 2 B - EH - T S - ■

Header type: Top entry type

No. of circuits

Assembly product

Series name

Packaging style: Radial taping

Radial tape lead style
S...Round leads
V4...Partially rounded rectangular leads

Color: Blank...Natural (White), K...Black, R...Red, E...Blue,
Y...Yellow, M...Green, N...Brown